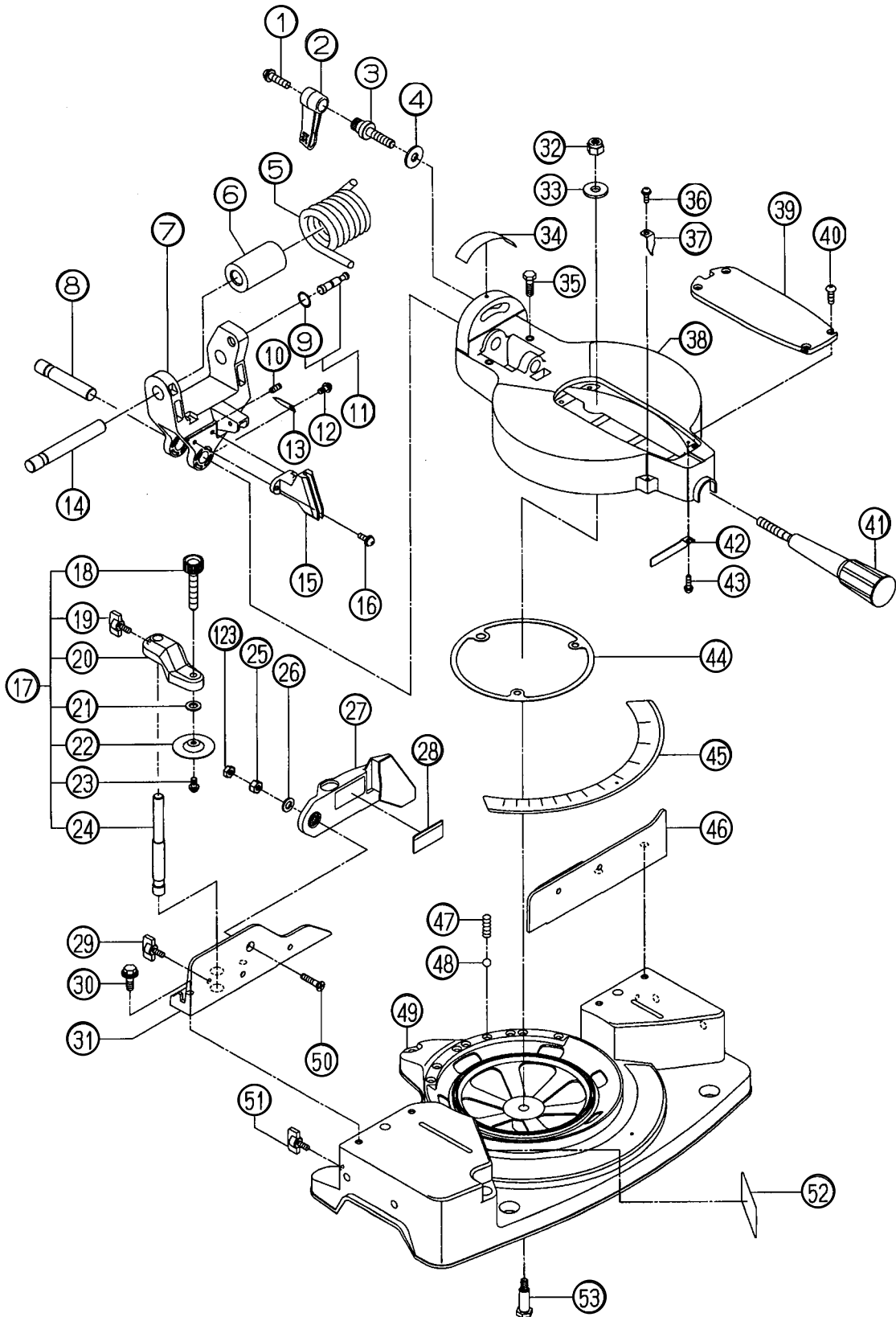
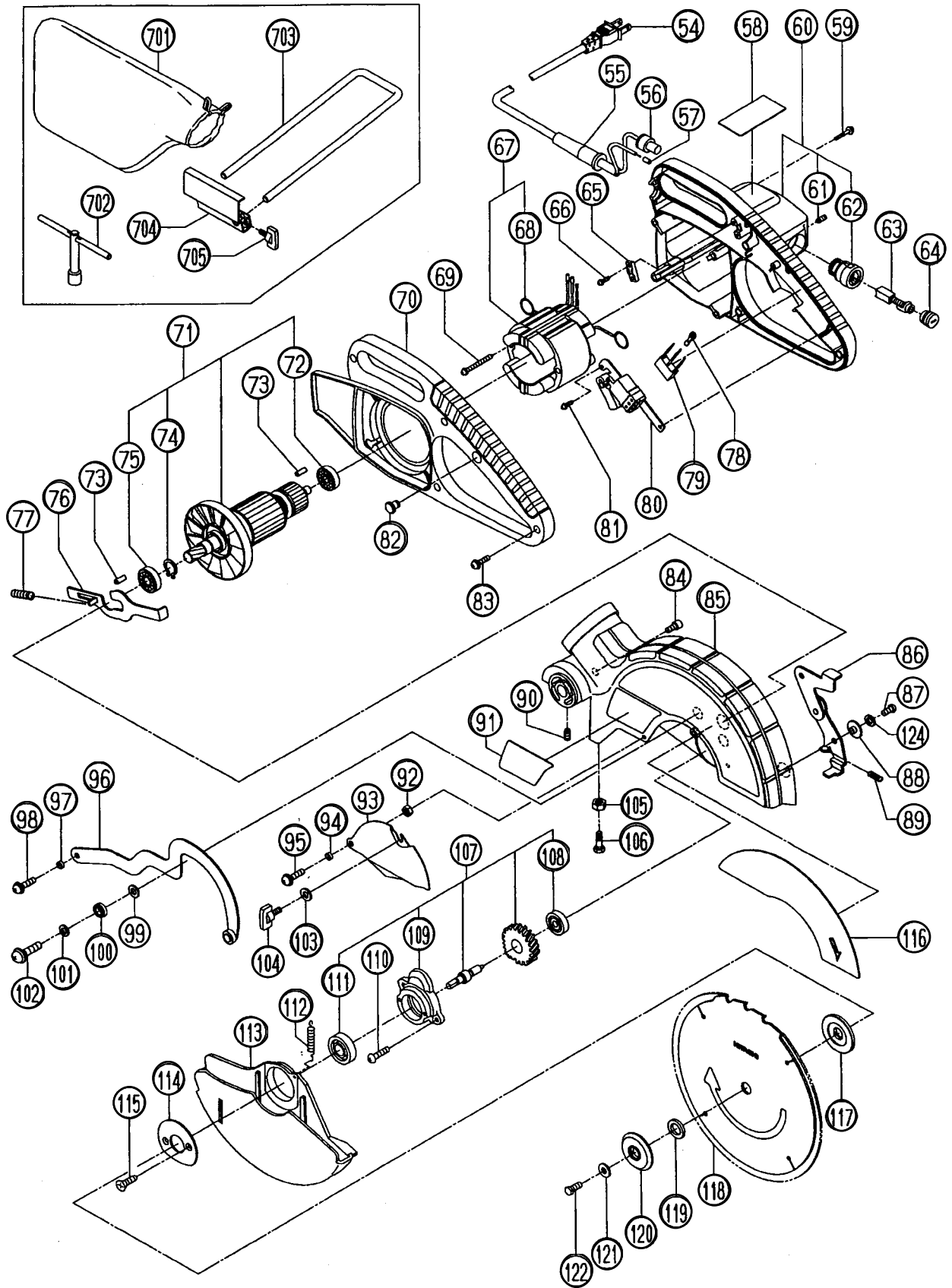


## ELECTRIC TOOL PARTS LIST

### ■ COMPOUND SAW Model C 10FCB

2001•4•20  
(E2)





**PARTS**

C 10FCB

ITEM NO.	CODE NO.	DESCRIPTION	NO. USED	REMARKS	
1	307-232	MACHINE SCREW (W/WASHERS) M6X12 (BLACK)	1		
2	312-488	CLAMP LEVER	1		
3	318-933	BOLT (LEFT HAND) M10X40	1		
4	318-934	SPECIAL WASHER	1		
5	318-939	SPRING	1		
6	318-938	SLEEVE	1		
7	318-951	HINGE	1		
8	318-935	SHAFT (C)	1		
9	984-528	O-RING (P-6)	1		
10	968-247	HEX. SOCKET SET SCREW M6X10	1		
11	302-518	STOPPER PIN ASS'Y	1	INCLUD.9	
12	317-200	MACHINE SCREW (W/WASHERS) M4X8 (BLACK)	1		
13	318-932	INDICATOR (B)	1		
14	318-940	SHAFT (C)	1		
15	318-936	GUARD	1		
16	990-541	MACHINE SCREW (W/WASHERS) M5X16	2		
17	318-965	WISE ASS'Y	1	INCLUD.18-24	
18	302-522	KNOB BOLT M10X66	1		
19	301-806	WING BOLT M6X15	1		
20		SCREW HOLDER	1		
21	949-425	WASHER M6 (10 PCS.)	1		
22	302-532	WISE PLATE	1		
23	949-216	MACHINE SCREW M4X10 (10 PCS.)	1		
24	318-967	WISE SHAFT	1		
25	949-556	NUT M6 (10 PCS.)	1		
26	949-432	BOLT WASHER M6 (10 PCS.)	1		
27	318-950	SUB FENCE	1		
28		CAUTION PLATE (A)	1		
29	301-806	WING BOLT M6X15	1		
30	307-221	BOLT (W/WASHERS) M8X35 (BLACK)	4		
31	318-949	FENCE (B)	1		
32	975-348	NYLON NUT M8	1		
33	318-929	WASHER (F)	1		
34	318-931	SCALE (B)	1		
35	303-409	NYLOCK BOLT M8X25	2		
36	317-200	MACHINE SCREW (W/WASHERS) M4X8 (BLACK)	1		
37	318-927	INDICATOR (A)	1		
38	318-947	TURN TABLE	1		
39	318-930	TABLE INSERT	1		
40	949-239	MACHINE SCREW M5X16 (10 PCS.)	4		
41	318-946	SIDE HANDLE	1		
42	998-814	SPACER	1		
43	317-200	MACHINE SCREW (W/WASHERS) M4X8 (BLACK)	1		
44	318-926	LINER	1		
45	318-945	SCALE (A)	1		
46	318-948	FENCE (A)	1		
47	967-150	SPRING (C)	1		
48	959-153	STEEL BALL D12.7 (10 PCS.)	1		
*	49	318-944	BASE	1	
*	49	318-969	BASE	1	FOR USA,CAN
50	949-342	FLAT HD. SCREW M6X25 (10 PCS.)	1		

**PARTS**

C 10FCB

ITEM NO.	CODE NO.	DESCRIPTION	NO. USED	REMARKS
51	301-806	WING BOLT M6X15	2	
* 52		CAUTION PLATE (B)	1	
53	318-928	SHAFT (B)	1	
* 54	500-214Z	CORD	1	(CORD ARMOR D10.7)
* 54	315-897	CORD	1	(CORD ARMOR D10.7) FOR CHN
* 54	952-802Z	CORD	1	(CORD ARMOR D10.7) FOR SIN,MLA
				(CORD ARMOR D10.7) FOR AUS,NZL
* 54	500-453Z	CORD	1	(CORD ARMOR D10.7) FOR USA,CAN
* 54	952-804Z	CORD	1	(CORD ARMOR D10.7) FOR GBR (110V),SAF
* 54	500-243Z	CORD	1	(CORD ARMOR D10.7) FOR FRG,AUT,BEL,
				ESP,GBR (230V),ITA,NOR,SWE,DEN,FIN
* 54	952-806Z	CORD	1	(CORD ARMOR D10.7) FOR FRA,HOL
* 54	303-154	CORD	1	(CORD ARMOR D10.7) FOR SUI
55	940-778	CORD ARMOR D10.7	1	
* 56	959-141	CONNECTOR 50092 (10 PCS.)	1	FOR USA,CAN
* 57	988-894	TUBE (D)	2	
* 57	988-894	TUBE (D)	1	FOR USA,CAN
58		NAME PLATE	1	
59	302-434	MACHINE SCREW (W/WASHERS) M5X45 (BLACK)	4	
60	318-955	HOUSING ASS'Y	1	INCLUD.61,62
61	966-426	HEX. SOCKET SET SCREW M5X6	2	
62	980-487	BRUSH HOLDER	2	
63	999-044	CARBON BRUSH (1 PAIR)	2	
64	940-540	BRUSH CAP	2	
65	937-631	CORD CLIP	1	
66	302-086	TAPPING SCREW (W/FLANGE) D4X20 (BLACK)	2	
* 67	340-473C	STATOR ASS'Y (B) 110V	1	INCLUD.68
* 67	340-472C	STATOR ASS'Y (A) 115V	1	INCLUD.68
* 67	340-473E	STATOR ASS'Y (B) 220V-230V	1	INCLUD.68
* 67	340-473F	STATOR ASS'Y (B) 240V	1	INCLUD.68
68	998-744	BRUSH TERMINAL	2	
69	303-376	TAPPING SCREW (W/SP. WASHER) D5X65	2	
* 70	318-960	HANDLE COVER	1	
* 70	318-959	HANDLE COVER	1	FOR USA,CAN
* 71	360-531U	ARMATURE ASS'Y 110V-115V	1	INCLUD.72,74,75
* 71	360-531E	ARMATURE ASS'Y 220V-230V	1	INCLUD.72,74,75
* 71	360-531F	ARMATURE ASS'Y 240V	1	INCLUD.72,74,75
72	620-0VV	BALL BEARING 6200VVCMP2L	1	
73	946-362	BEARING LOCK	2	
74	939-544	RETAINING RING FOR D15 SHAFT (10 PCS.)	1	
75	600-2VV	BALL BEARING 6002VVCMP2L	1	
76	318-941	LOCK LEVER	1	
77	318-942	LOCK SPRING	1	
* 78	938-108	TERMINAL	1	FOR CHN,AUS,NZL,FRG,AUT,GBR,FRA,HOL, BEL,ESP,SUI,ITA,NOR,SWE,DEN,FIN,SAF
* 79	994-273	NOISE SUPPRESSOR	1	FOR CHN,AUS,NZL,FRG,AUT,GBR,FRA,HOL, BEL,ESP,SUI,ITA,NOR,SWE,DEN,FIN,SAF
* 80	976-450	SWITCH (A) (2P PILLAR TYPE) W/O LOCK	1	
* 80	988-925	SWITCH (B) (1P PILLAR TYPE) W/LOCK	1	FOR USA,CAN
81	958-715	TAPPING SCREW D4X10	1	
* 82	951-895	LOCK-OFF BUTTON	1	FOR USA,CAN

**PARTS**

ITEM NO.	CODE NO.	DESCRIPTION	NO. USED	REMARKS
83	302-086	TAPPING SCREW (W/FLANGE) D4X20 (BLACK)	4	
84	949-819	HEX. SOCKET HD. BOLT M5X10 (10 PCS.)	1	
85	318-953	GEAR CASE	1	
* 86	318-954	LEVER	1	FOR CHN,FRG,AUT,GBR,FRA,HOL,BEL,ESP, SUI,ITA,NOR,SWE,DEN,FIN
* 87	949-239	MACHINE SCREW M5X16 (10 PCS.)	2	FOR CHN,FRG,AUT,GBR,FRA,HOL,BEL,ESP, SUI,ITA,NOR,SWE,DEN,FIN
* 88	320-106	SLEEVE (B)	2	FOR CHN,FRG,AUT,GBR,FRA,HOL,BEL,ESP, SUI,ITA,NOR,SWE,DEN,FIN
* 89	880-494	STOPPER SPRING	1	FOR CHN,FRG,AUT,GBR,FRA,HOL,BEL,ESP, SUI,ITA,NOR,SWE,DEN,FIN
90	968-247	HEX. SOCKET SET SCREW M6X10	1	
* 91		CAUTION PLATE (C)	1	
* 92	949-555	NUT M5 (10 PCS.)	1	FOR USA,CAN,AUS,FRG,AUT,GBR,FRA,HOL, BEL,ESP,SUI,ITA,NOR,SWE,DEN,FIN
* 93	318-958	SPINDLE COVER	1	FOR USA,CAN,AUS,FRG,AUT,GBR,FRA,HOL, BEL,ESP,SUI,ITA,NOR,SWE,DEN,FIN
* 94	998-980	SPACER	1	FOR USA,CAN,AUS,FRG,AUT,GBR,FRA,HOL, BEL,ESP,SUI,ITA,NOR,SWE,DEN,FIN
* 95	949-236	MACHINE SCREW M5X10 (10 PCS.)	1	FOR USA,CAN,AUS,FRG,AUT,GBR,FRA,HOL, BEL,ESP,SUI,ITA,NOR,SWE,DEN,FIN
96	318-937	LINK	1	
97	998-980	SPACER	1	
98	949-239	MACHINE SCREW M5X16 (10 PCS.)	1	
99	949-432	BOLT WASHER M6 (10 PCS.)	1	
100	606-ZZM	BALL BEARING 606ZZC2PS2L	1	
101	949-455	SPRING WASHER M6 (10 PCS.)	1	
102	949-258	MACHINE SCREW M6X20 (10 PCS.)	1	
* 103	949-432	BOLT WASHER M6 (10 PCS.)	1	FOR USA,CAN,AUS,FRG,AUT,GBR,FRA,HOL, BEL,ESP,SUI,ITA,NOR,SWE,DEN,FIN
* 104	301-806	WING BOLT M6X15	1	FOR USA,CAN,AUS,FRG,AUT,GBR,FRA,HOL, BEL,ESP,SUI,ITA,NOR,SWE,DEN,FIN
105	949-568	LOCK NUT M8 (10 PCS.)	1	
106	949-626	BOLT M8X25 (10 PCS.)	1	
107	318-956	SPINDLE ASS'Y	1	INCLUD.108,109,111
108	608-VVM	BALL BEARING 608VVC2PS2L	1	
109	318-957	BEARING HOLDER	1	
110	949-241	MACHINE SCREW M5X20 (10 PCS.)	2	
111	600-3VV	BALL BEARING 6003VVCMP2L	1	
112	320-107	RETURN SPRING (B)	1	
113	318-943	SAFETY COVER	1	
114	307-731	COVER	1	
115	949-322	FLAT HD. SCREW M4X10 (10 PCS.)	2	
116		HITACHI LABEL	1	
* 117	308-789	WASHER (D)	1	
* 117	318-961	WASHER (A)	1	FOR CHN,FRG,AUT,GBR,FRA,HOL,BEL,ESP, SUI,ITA,NOR,SWE,DEN,FIN
* 118	318-963	TCT SAW BLADE 255MM-D15.88 HOLE-NT24	1	
* 118	318-964	TCT SAW BLADE 255MM-D25.4 HOLE-NT100	1	
* 118	319-106	TCT SAW BLADE 255MM-D25.4 HOLE-NT24	1	
* 118	319-107	TCT SAW BLADE 255MM-D30 HOLE-NT30	1	

# PARTS

C 10FCB

ITEM NO.	CODE NO.	DESCRIPTION	NO. USED	REMARKS
* 119	976-819	COLLAR (B) FOR D25.4 HOLE	1	
* 119	974-663Z	COLLAR (A) FOR D30 HOLE	1	FOR AUS,NZL,AUT,GBR,FRA,HOL,BEL,ESP, SUI,ITA,NOR,SWE,DEN,FIN
* 120	998-838	WASHER (C)	1	
* 120	318-962	WASHER (B)	1	FOR CHN,FRG,AUT,GBR,FRA,HOL,BEL,ESP, SUI,ITA,NOR,SWE,DEN,FIN
121	940-845	WASHER	1	
122	996-258	BOLT (LEFT HAND) M7X17.5	1	
123	949-567	LOCK NUT M6 (10 PCS.)	1	
* 124	949-454	SPRING WASHER M5 (10 PCS.)	2	FOR CHN,FRG,AUT,GBR,FRA,HOL,BEL,ESP, SUI,ITA,NOR,SWE,DEN,FIN

# STANDARD ACCESSORIES

ITEM NO.	CODE NO.	DESCRIPTION	NO. USED	REMARKS
701	976-478	DUST BAG	1	
702	940-543	BOX WRENCH 10MM	1	
703	998-834	HOLDER	2	
704	318-968	STOPPER	1	
705	301-806	WING BOLT M6X15	1	

# OPTIONAL ACCESSORIES

ITEM NO.	CODE NO.	DESCRIPTION	NO. USED	REMARKS
* 901	976-472	TCT SAW BLADE CROSS-CUT 255MM-D15.9 HOLE	1	
* 902	976-473	TCT SAW BLADE 255MM-D15.9 HOLE-NT70	1	
* 903	959-000	TCT SAW BLADE CROSS-CUT 255MM-D25.4 HOLE	1	
* 904	974-642	TCT SAW BLADE CROSS-CUT 255MM-D25.4 HOLE	1	
* 905	976-832	TCT SAW BLADE CROSS-CUT 255MM-D30 HOLE	1	
* 906	976-833	TCT SAW BLADE CROSS-CUT 255MM-D30 HOLE	1	
* 907	319-658	TCT SAW BLADE 255MM-D15.88 HOLE-NT100	1	