



SERVICE PARTS LIST

BUL. 54-42-2012

SCREWDRIVER

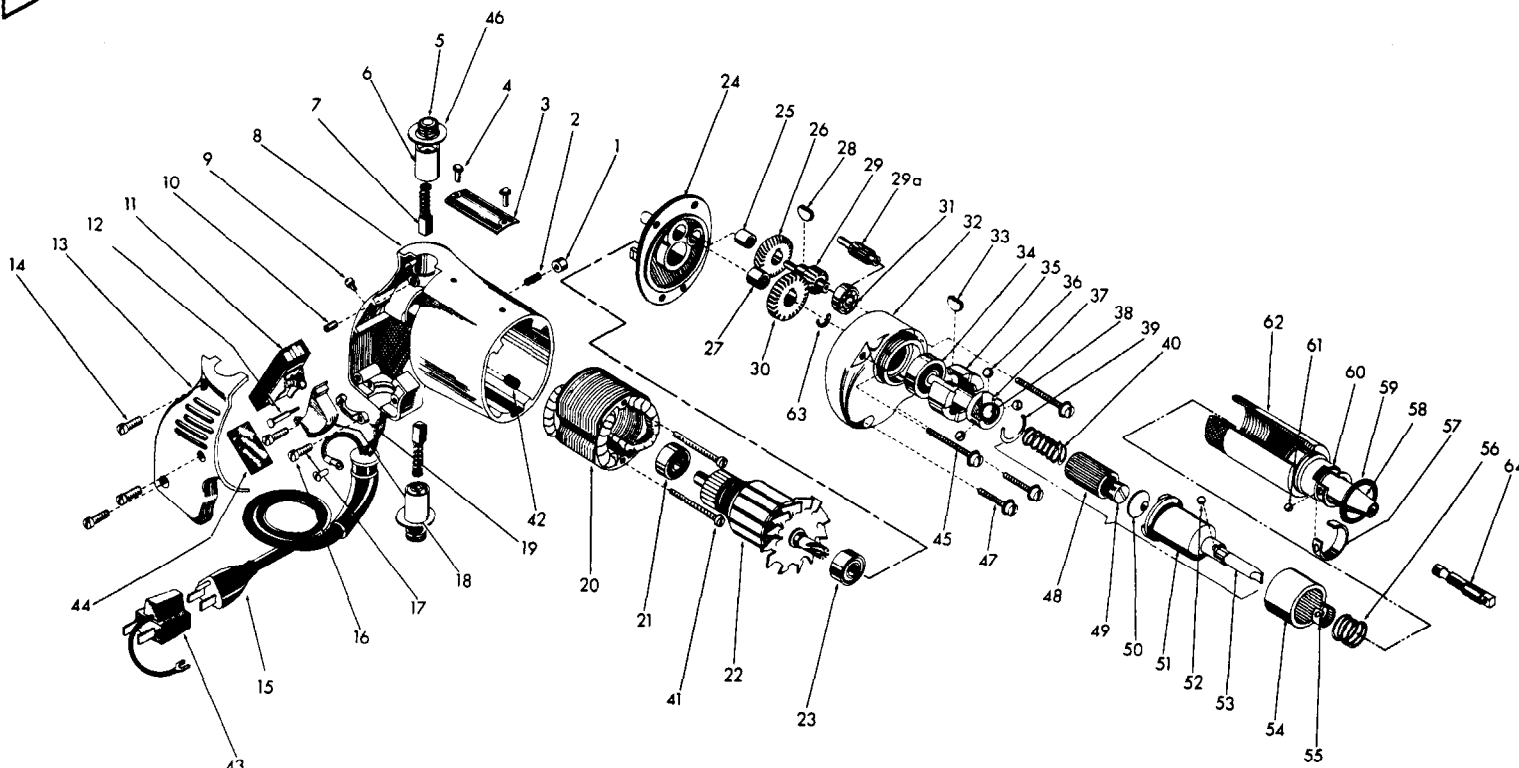
REVISED BUL 697-3 DATE Feb. '68

Catalog No. 6580

Starting Serial No. 97-3002

WIRING INSTR.

Both Model and Serial No. must be furnished to obtain correct parts.



ILLUSTRATED PARTS

FIG.	PART NO.	DESCRIPTION OF PARTS	FIG.	PART NO.	DESCRIPTION OF PARTS
1	42-42-0061	Trigger Lock Button	37	38-50-2251	Spindle
2	40-50-1200	Trigger Lock Spring	38	02-02-0560	9/16" Dia. Ball
3	12-98-0600	Name Plate	39	34-60-1700	Retaining Ring
4	06-81-4300	3-48x3/16 Rd. Hd. Name Plate Scrs. (2)	40	40-50-1500	Torque Limiting Spring (heavy-red)
5	23-44-0020	Brush Retaining Cap	40a	40-50-1600	Torque Limiting Spring (med-plain)
6	22-22-0050	Brush Holder Assy.	40b	40-50-1700	Torque Limiting Spring (light-blue)
7	22-18-0090	Carbon Brush Assy.	41	06-81-5950	6-32x1-7/8 Fil.Hd. Sems Field Scrs. (2)
8	28-50-4447	Motor Housing	42	45-30-0060	Ball Bearing Retaining Slug
9	06-81-5800	6-32x5/16 Fil.Hd. Sems Switch Mtg. Scr.	43	48-03-0010	Attachment Plug Adaptor
10	06-83-0100	10-32x1/4 Hd'less slotted Br.Hd. Scrs. (2)	44	23-16-0265	Switch Insulator
11	23-66-0280	Switch	45	06-81-6550	8-32x1 1/2 Fil.Hd. Sems Gear Case Scrs. (2)
12	44-70-0071	Trigger Lock Shaft	46	23-86-0070	Insulating Washer
13	28-20-3002	Handle Cover	47	06-81-6300	8-32x7/8 Fil.Hd. Sems Gear Case Scrs. (2)
14	06-81-6150	8-32x1/2 Fil.Hd.Sems Handle Cover Scrs. (3)	48	43-84-0060	Threaded Insert
15	22-64-0170	Cord Set	49	45-04-0090	Adjusting Screw
16	06-81-6150	8-32x1/2 Fil.Hd. Sems Cord Clamp Scrs. (2)	50	45-88-0200	Bit Backing Washer
17	06-81-8625	6-32x1/4 (Brass) Rd.Hd. Ground Scr.	51	42-66-0230	Chuck
★18	31-92-0101	Switch Trigger	52	02-02-0150	5/32" Dia. Ball
19	28-17-0400	Cord Clamp	53	48-30-0500	Hex Bit
20	18-22-1040	Field	53a	48-30-0505	Hex Bit
21	02-04-0740	Armature Ball Bearing (Comm. End)	53b	48-30-0510	Hex Bit
22	16-22-1110	Armature Assy.	54	02-50-6440	Needle Bearing
23	02-04-0740	Armature Ball Bearing (Pinion End)	55	40-50-1400	Bit Retaining Spring
24	28-28-0221	Diaphragm	56	40-50-1900	Finder Spring
25	02-50-1210	Needle Bearing	57	40-50-1800	Finder Retaining Spring
26	32-40-1121	Intermediate Gear	58	48-30-2025	Finder
27	02-50-1640	Needle Bearing	58a	48-30-2050	Finder
28	06-42-0400	Woodruff Key	58b	48-30-2075	Finder
29		Not Used on This Tool	59	34-60-2060	Retaining Ring
29a	36-66-0851	Intermediate Pinion Shaft	60	43-56-0060	Finder Guide
30	32-75-1121	Spindle Gear	61	02-02-0150	5/32" Dia. Finder Retaining Ball
31	02-04-0640	Ball Bearing	62	45-22-0090	Sleeve
32	28-14-0361	Gear Case	63	34-60-0600	Spindle Snap Ring
33	06-42-0800	Woodruff Key	64	48-32-2050	Square Drive
34	02-04-1020	Ball Bearing			
35	42-76-0100	Clutch Collar			
36	02-02-0310	5/16" Dia. Driving Balls (3)			