



# SERVICE PARTS LIST

BUL. 54-42-0400

0-1000 R.P.M. ADJ. CLUTCH REV. SCREWDRIVER

REVISED BUL.  DATE  
March '72

Catalog No. 6583-1

Starting Serial No. 470-1001

WIRING INSTR. 58-01-0650

Both Model and Serial No. must be furnished to obtain correct parts.

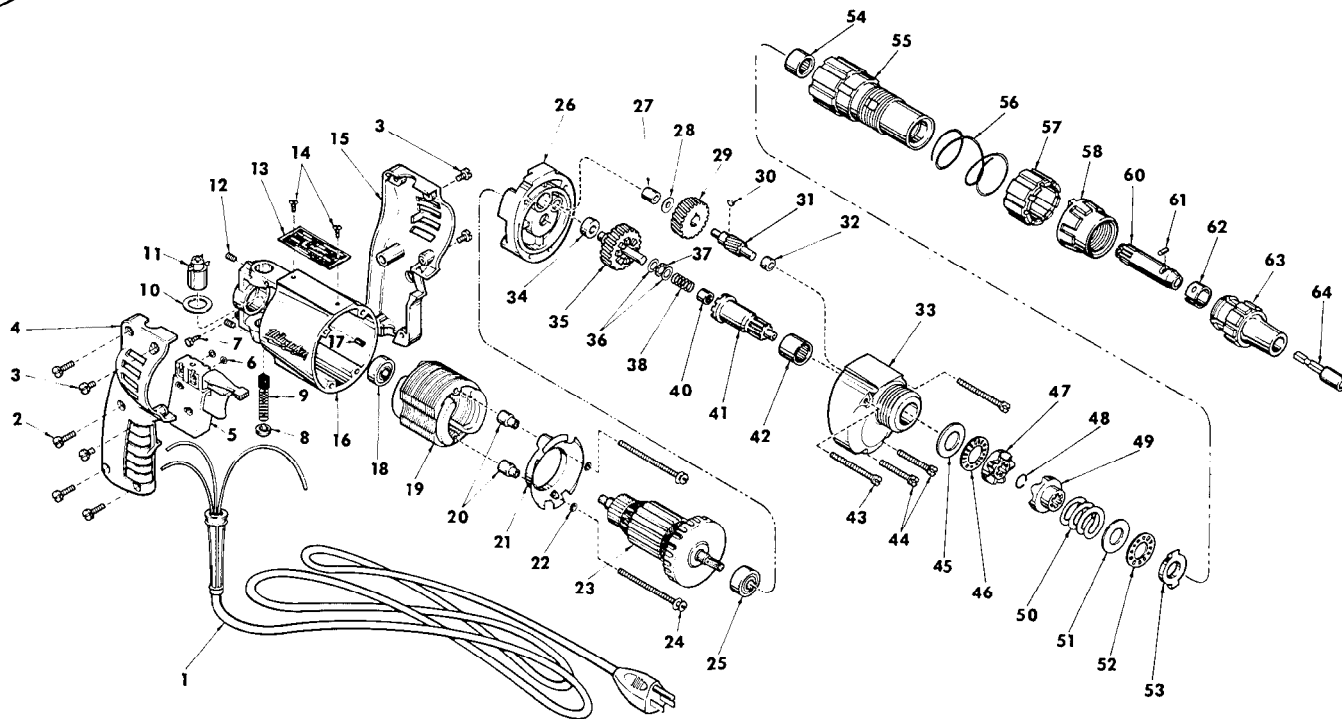
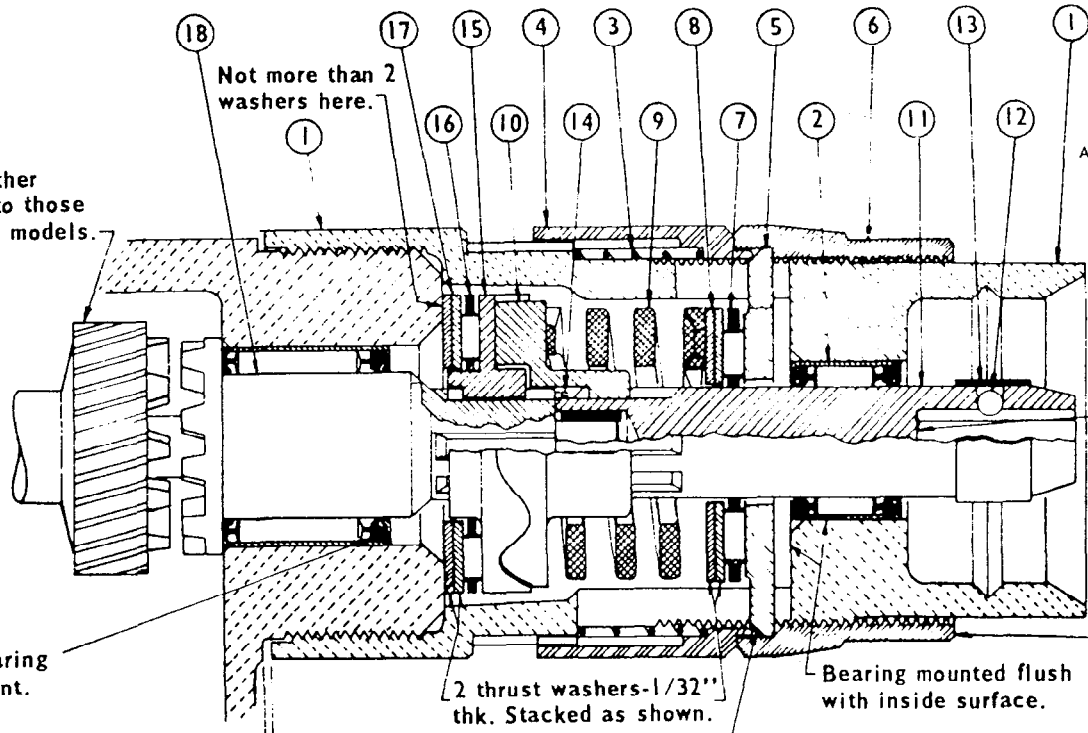


FIG.	PART NO.	DESCRIPTION OF PART	NO. REQ.	FIG.	PART NO.	DESCRIPTION OF PART	NO. REQ.
1	22-64-0660	Cord Set	(1)	34	02-08-0210	Ball Bearing	(1)
2	06-81-0400	8-32x3/4 Pan Head Screw	(4)	35	32-10-1000	Clutch Gear	(1)
3	06-81-0450	8-32x3/8 Pan Head Screw	(4)	36	45-88-0550	Thrust Washer	(2)
4	31-44-0250	R.H. Handle Half	(1)	37	02-80-0100	Thrust Bearing	(1)
5	23-66-0790	Rev. Speed Control Switch	(1)	38	40-50-6600	Separator Spring	(1)
6	06-97-1700	Lock Washer (For Switch)	(6)	39	36-14-0675	Clutch Shaft Assembly (includes fig. nos. 40 and 41)	(1)
7	06-81-8625	6-32x1/4 Ground Screw	(1)	40	02-50-1610	Needle Bearing	(1)
8	23-44-0020	Brush Retaining Screw	(2)	41	36-14-0660	Clutch Shaft	(1)
9	22-18-0360	Carbon Brush	(2)	42	02-50-4035	Needle Bearing	(1)
10	23-86-0105	Washer	(2)	43	06-81-6740	8-32 x 2 Fil. Hd. Sem	(2)
11	22-22-0251	Brush Holder Assy.	(2)	44	06-81-6550	8-32 x 1-1/2 Fil. Hd. Sem	(2)
12	06-83-2430	10-32x1/4 Hdl. Skt. Screw	(2)	45	45-88-0505	Thrust Washer	(1)
13	12-98-0600	Nameplate	(1)	46	02-80-1200	Thrust Bearing	(1)
14	06-85-0200	6x1/4 Round Hd. Type Z Screw	(2)	47	42-70-5010	Drive Chuck	(1)
15	31-44-0261	L.H. Handle Half	(1)	48	34-60-0840	Retaining Ring	(1)
16	28-50-6091	Motor Housing (Incl. Fig. 17)	(1)	49	42-70-5020	Driven Clutch	(1)
17	45-30-0120	Ball Brg. Retaining Slug	(1)	50	40-50-1010	Compression Spring	(1)
18	02-04-0740	Ball Bearing	(1)	51	45-88-7150	Thrust Washer	(1)
19	18-22-1160	115 V. Field	(1)	52	02-80-6020	Thrust Bearing	(1)
20	45-36-0601	Baffle Spacer	(2)	53	42-05-0010	Adjustment Ring	(1)
21	31-05-0010	Baffle	(1)	54	02-50-3225	Needle Bearing	(1)
22	45-88-7170	Washer	(2)	55	28-50-2000	Clutch Housing	(1)
23	16-22-1295	115 V. Armature	(1)	56	40-50-0910	Spring	(1)
24	06-81-8695	6-32x2-7/16 Round Hd. Sems	(2)	57	31-58-0030	Locking Collar	(1)
25	02-04-0880	Ball Bearing	(1)	58	42-05-0040	Adjustment Ring	(1)
26	28-28-1451	Diaphragm	(1)	59	42-66-0675	Chuck Shaft Assembly (includes fig. nos. 60 thru 62)	(1)
27	02-50-1210	Needle Bearing	(1)	60	42-66-0670	Chuck Shaft	(1)
28	45-88-7280	Nylon Thrust Washer	(1)	61	02-55-0150	Loose Roller Bearing	(1)
29	32-40-1611	Intermediate Gear	(1)	62	40-50-1400	Bit Retaining Spring	(1)
30	06-42-0400	Woodruff Key	(1)	63	48-32-0250	1/4 Bit Guide	(1)
31	36-66-4095	Intermediate Pinion Shaft	(1)	64	48-32-3050	1/4 Hex Bit Holder	(1)
32	02-50-1635	Needle Bearing	(1)				
33	28-14-1210	Gear Case (Includes 06-65-0825 Groove Pin)	(1)				

**PARTS LISTED IN ORDER OF ASSEMBLY**

ITEM NO.	PART NO.	DESCRIPTION		
1	28-50-2000	CLUTCH HOUSING	CLUTCH SUB-ASSEMBLY	
2	02-50-3225	SEALED ROLLER BEARING SPRING		
3	40-50-0910	SPRING		
4	31-58-0030	LOCKING COLLAR		
5	42-05-0010	ADJUSTMENT RING		
6	42-05-0040	ADJUSTING RING		
7	02-80-6020	THRUST BEARING		
8	45-88-7150	THRUST WASHERS (2 ea.)		
9	40-50-1010	COMPRESSION SPRING		
10	42-70-5020	DRIVEN CLUTCH		
11	42-66-0670	CHUCK SHAFT		PRE-ASSEMBLE
12	02-55-0150	LOOSE ROLLER BNG.		
13	40-50-1450	BIT RETAINING SPRING		
14	34-60-0840	RETAINING RING		
15	42-70-5010	DRIVE CLUTCH	NOT IN ORDER OF ASSEMBLY	
16	02-80-1210	THRUST BEARING		
17	45-88-0510	THRUST WASHERS (2 ea.)		
18	36-14-0660	CLUTCH SHAFT		



Clutch gear & other gears identical to those in positive drive models.

Not more than 2 washers here.

PRE-ASSEMBLE

1/4" hex bits, when installed, should move back & forth freely for about 1/8". If bit jams or sticks near bottom, replace 42-66-0670 chuck shaft.

Single seal bearing seal toward front.

2 thrust washers-1/32" thk. Stacked as shown.

Bearing mounted flush with inside surface.

For ease of assembly, turn adjusting ring to lowest possible setting.

1/32" space is normal- if greater, thrust washer may be caught between clutch housing and gear case.

Bevel must be toward rear of tool - ground surface toward front.

Wavy clutch splines must slide back & forth freely on shaft splines. Defective splines that stick will not allow proper functioning.

**LUBRICATION**

Apply 1/2 tsp. type A grease on wavy surface of item 15 and small amount on thrust bearings, items 7 & 16. Gear case lub. same as all other screwdrivers.

**ASSEMBLY DETAILS-ADJUSTABLE CLUTCH MECHANISM-MODEL 6583-1**