



SERVICE PARTS LIST

NO-HUB SCREWDRIVER

Catalog No. **6584-1**

Starting Serial No. **497-1001**

BUL. 54-42-0250

REVISED BUL. DATE
Mar. '74

WIRING INSTRUCTIONS
58-01-0645

Specify Catalog and Serial No. when ordering parts

0-1000 R.P.M.

FOR 230V TOOL USE:
22-64-2665 CORD SET
22-18-0375 CARBON BRUSH
18-26-1160 FIELD
16-26-1295 ARMATURE

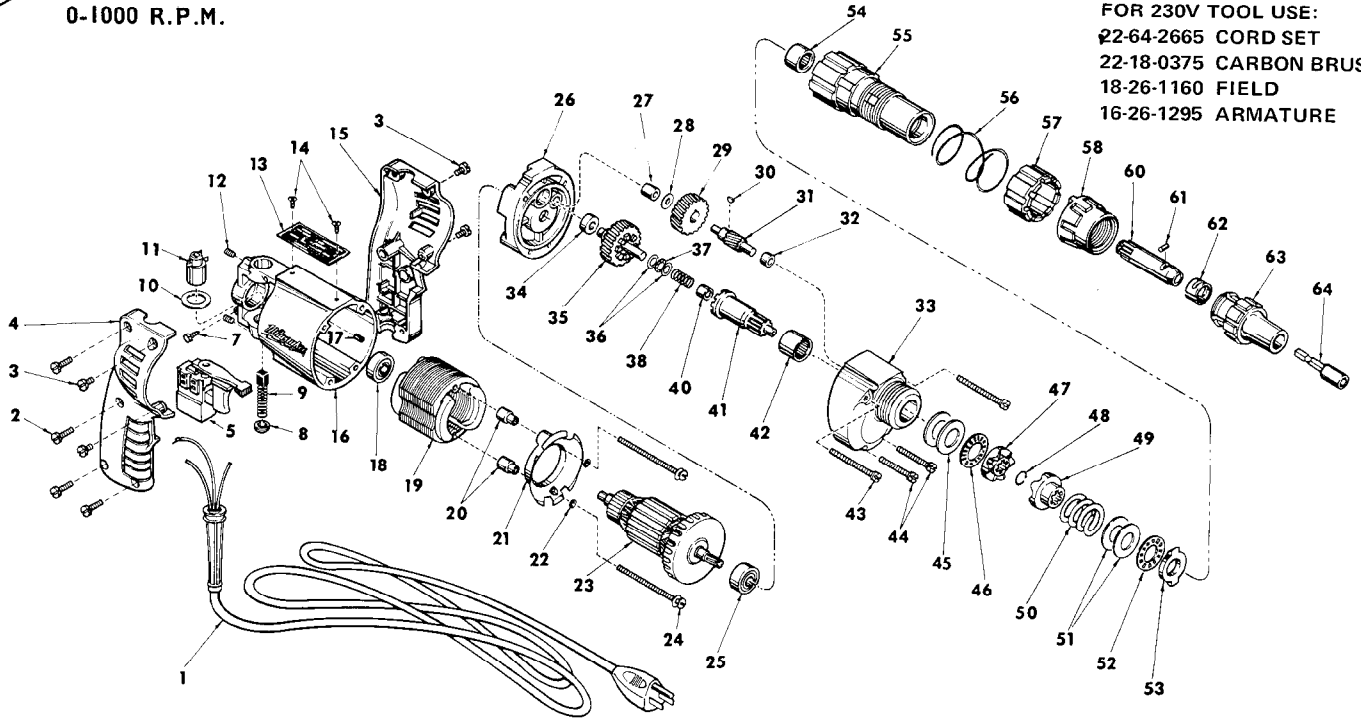


FIG.	PART NO.	DESCRIPTION OF PART	NO. REQ.	FIG.	PART NO.	DESCRIPTION OF PART	NO. REQ.
	1	22-64-0665 Cord Set	(1)		34	02-08-0210 Ball Bearing	(1)
	2	06-81-0400 8-32x3/4 Pan Head Screw	(4)		35	32-10-1000 Clutch Gear	(1)
	3	06-81-0450 8-32x3/8 Pan Head Screw	(4)		36	45-88-0550 Thrust Washer	(2)
	4	31-44-0280 R.H. Handle Half	(1)		37	02-80-0100 Thrust Bearing	(1)
	5	23-66-0792 Rev. Speed Control Switch	(1)		38	40-50-6600 Separator Spring	(1)
	7	06-81-8625 6-32x1/4 Ground Screw	(1)		39	36-14-0675 Clutch Shaft Assembly (includes fig. nos. 40 and 41)	(1)
	8	23-44-0020 Brush Retaining Screw	(2)		40	02-50-1610 Needle Bearing	(1)
★	9	22-18-0155 Carbon Brush	(2)		41	36-14-0660 Clutch Shaft	(1)
	10	23-86-0105 Washer	(2)		42	02-50-4035 Needle Bearing	(1)
	11	22-22-0251 Brush Holder Assy.	(2)		43	06-81-6740 8-32 x 2 Fil. Hd. Sem	(2)
	12	06-83-2430 10-32x1/4 Hdls. Skt. Screw	(2)		44	06-81-6550 8-32 x 1-1/2 Fil. Hd. Sem	(2)
	13	12-99-0021 Nameplate	(1)		45	45-88-0510 Thrust Washer	(2)
	14	06-85-0200 6x1/4 Round Hd. Type Z Screw	(2)		46	02-80-1210 Thrust Bearing	(1)
	15	31-44-0290 L.H. Handle Half	(1)		47	42-70-5010 Drive Chuck (Standard Range)	(1)
	16	28-50-6091 Motor Housing (Incl. Fig. 17)	(1)		48	34-60-0840 Retaining Ring	(1)
	17	45-30-0120 Ball Brg. Retaining Slug	(1)		49	42-70-5020 Driven Clutch (Standard Range)	(1)
	18	02-04-0740 Ball Bearing	(1)		50	40-50-1010 Compression Spring	(1)
	19	18-22-1160 115 V. Field	(1)		51	45-88-7150 Thrust Washer	(2)
	20	45-36-0601 Baffle Spacer	(2)		52	02-80-6020 Thrust Bearing	(1)
	21	31-05-0010 Baffle	(1)		53	42-05-0010 Adjustment Ring	(1)
	22	45-88-7170 Washer	(2)		54	02-50-3225 Needle Bearing	(1)
	23	16-22-1295 115 V. Armature	(1)		55	28-50-2000 Clutch Housing	(1)
	24	06-81-8695 6-32x2-7/16 Round Hd. Sems	(2)		56	40-50-0910 Spring	(1)
	25	02-04-0880 Ball Bearing	(1)		57	31-58-0030 Locking Collar	(1)
	26	28-28-1451 Diaphragm	(1)		58	42-05-0040 Adjusting Ring	(1)
	27	02-50-1210 Needle Bearing	(1)		59	42-66-0675 Chuck Shaft Assembly (includes fig. nos. 60 thru 62)	(1)
	28	45-88-7280 Nylon Thrust Washer	(1)		60	42-66-0670 Chuck Shaft	(1)
	29	32-40-1611 Intermediate Gear	(1)		61	02-55-0150 Loose Roller Bearing	(1)
	30	06-42-0400 Woodruff Key	(1)		62	40-50-1450 Bit Retaining Spring	(1)
	31	36-66-4095 Intermediate Pinion Shaft	(1)		63	48-32-0312 5/16 Bit Guide	(1)
	32	02-50-1635 Needle Bearing	(1)		64	49-66-3015 5/16 Hex Socket Extension	(1)
	33	28-14-1210 Gear Case (Includes 06-65-0825 Groove Pin)	(1)	★	65	12-98-7081 Caution Plate (Not Shown)	(1)