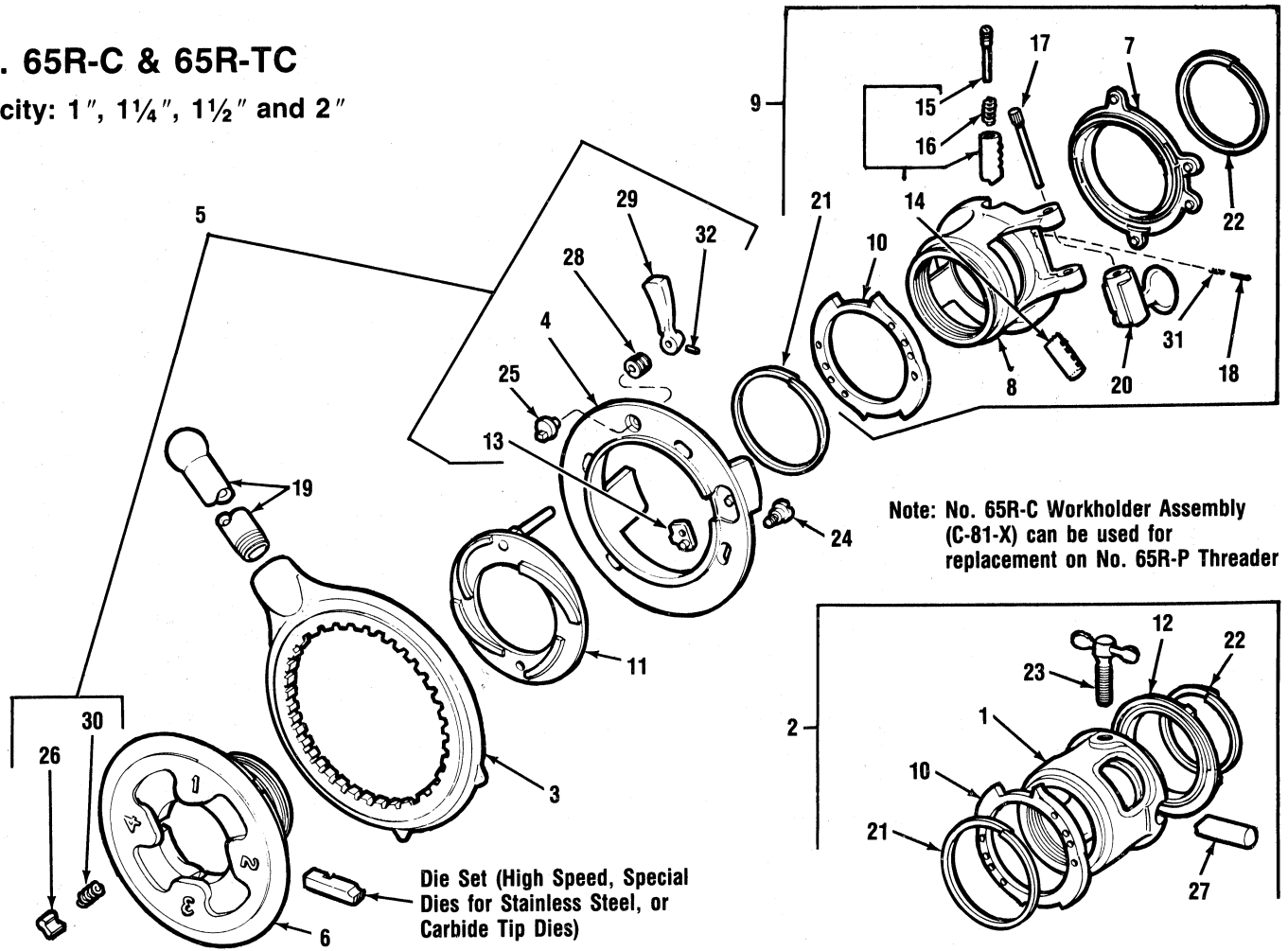


RIDGID® Nos. 65R-C & 65R-TC Pipe & Conduit Threaders

Nos. 65R-C & 65R-TC

Capacity: 1", 1¼", 1½" and 2"



Ref. No.	Description	Catalog No.	Old Part No.
1	65R-C Workholder (Cam Type) N.P.T.	39335	C-81
	65R-C Workholder (Cam Type) B.S.P.T.	68100	
2	65R-C Workholder Assy. (Cam Type) N.P.T.	39340	C-81-X
	65R-C Workholder Assy. (Cam Type) B.S.P.T.	68110	
3	Ratchet Ring	39205	C-104
4	Drive Plate	39215	C-148-1
5	Jam Proof Drive Plate Assembly	39220	C-148-1-X
6	Head N.P.T.	39245	C-246
	Head B.S.P.T.	68060	
7	Gauge Ring	39290	C-418
8	Tru-Center Workholder N.P.T.	39295	C-491
	Tru-Center Workholder B.S.P.T.	68070	
9	65R Tru-Center Workholder Assy. N.P.T.	39300	C-491-X
	65R Tru-Center Workholder Assy. B.S.P.T.	68075	
10	Change Plate N.P.T.	39400	D-34
	Change Plate B.S.P.T.	68125	
11	Cam Plate	39450	D-78
12	Gauge Ring	39370	D-114
13	Throwout Plate	39405	D-350
14	Workholder Jaw (3 per set) (2 solid & 1 spring loaded)	39425	D-470-X

Ref. No.	Description	Catalog No.	Old Part No.
15	Set Screw	39485	E-1124
16	Compression Spring	39490	E-1125
17	Locking Cam Pin	39500	E-1128
18	Stop Pin	39505	E-1129
19	Pipe Handle	39545	E-1347
20	Locking Cam	39555	E-1425
21	Change Plate Spring Ring	39975	F-68
22	Gauge Plate Spring Ring	39980	F-69
23	Clamp Screw	39985	F-73
24	Drive Plate Screw (4)	39990	F-74
25	Release Cam	39995	F-75-X
26	Pawl (2)	39875	F-107
27	Workholder Jaw (2)	39880	F-132
28	Release Cam Flat Spring (2)	39885	F-163
29	Release Cam Lever	39895	F-213
30	Pawl Spring (2)	39900	F-263
31	Coil Spring	39915	F-282
32	Cam Lever Pin	39965	F-671

The Ridge Tool Co., Elyria, Ohio, U.S.A.



Form No. 65R-C/P-1-386
999-998-280