



# SERVICE PARTS LIST

**BUL. 54-42-4252**

## SCREWDRIVER

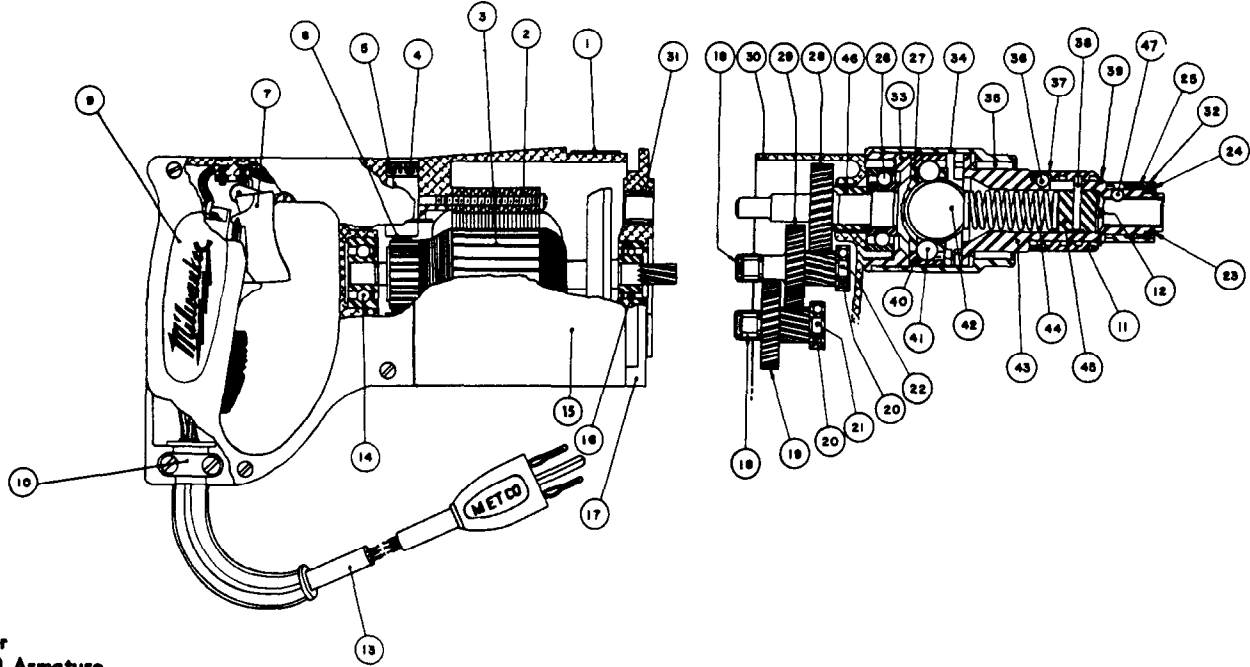
REVISED BUL 6123-3  DATE Feb. '68

**MODEL NO. 6640-1**

Starting Serial No. **123-1366**

WIRING INSTR.

Both Model and Serial No. must be furnished to obtain correct parts.



230V Motor  
16-46-1190 Armature  
18-46-1040 Field

CORRECTS & SUPERCEDES  
SERVICE BULLETIN 6123-3  
DATED 6/12/62

FIG.	PART NO.	DESCRIPTION OF PART
1	12-98-4500	Name Plate
2	18-42-1040	Field Assembly
3	16-42-1210	Armature Assembly
4	23-44-0060	Brush Retaining Screw
5	22-22-0080	Brush Holder Assembly
6	22-18-0100	Carbon Brush Assembly
★ 7	23-66-0485	Switch
★ 9	28-20-3601	Handle Cover
10	28-17-0400	Cord Clamp Strap
11	42-76-0120	Adjusting Collar
12	06-65-0855	1/8x7/8 Type 3 Groove Pin
13	22-64-0170	Cord Set w/Plug (3-Prong) 18 Ga.
14	02-04-0970	Ball Bearing (Comm. End)
★ 15	28-50-4488	Motor Housing
16	02-04-0940	Ball Bearing (Pinion End)
17	28-28-0661	Diaphragm
18	02-50-1640	Needle Bearing
19	32-40-1241	Intermediate Gear
20	02-04-0640	Ball Bearing
21	36-66-2801	Intermediate Pinion Shaft
22	36-66-2901	Intermediate Pinion Shaft
23	34-60-1300	Spirolox Retaining Ring
24	45-88-0070	Collar Stop Washer
25	40-50-1000	Collar Stop Spring

**ILLUSTRATED PARTS**

FIG.	PART NO.	DESCRIPTION OF PART
26	02-04-1560	Ball Bearing
27	38-50-3501	Spindle
28	32-75-2061	Spindle Gear
(2) 29	32-75-2041	2nd Int. Spindle Gear
(2) 30	28-14-0961	Gear Case
(2) 31	02-50-2110	Needle Bearing
32	42-76-0090	Bit Retaining Collar
33	42-52-0080	Adapter Cap
34	45-22-0140	Sleeve
35	02-50-8820	Needle Bearing
36	44-68-0060	Adjustment Plug
37	44-90-0140	Adjusting Collar Ring
38	06-65-0850	1/8x7/8 Type 2 Groove Pin
39	34-60-2000	Truarc Retaining Ring
40	42-76-0110	Clutch Collar
41	02-02-0340	11/32 Dia. Steel Balls
42	02-02-1000	1" Dia. Steel Ball
(2) 43	42-66-0270	Chuck
44a	40-50-2600	Torque Limiting Spring Heavy
44b	40-50-2500	Torque Limiting Spring Light
45	45-24-0050	Slide
46	45-36-0210	Spindle Spacer
★ 47	02-02-0180	Steel Ball

**MISCELLANEOUS PARTS NOT SHOWN**

PART NO.	DESCRIPTION OF PART	PART NO.	DESCRIPTION OF PART
06-42-0800	Woodruff Keys	06-81-8625	6-32x1/4 Rd.Hd.Ground Screw (Brass)
06-81-8400	4-40x1/4 Rd.Hd.Sems Name Plate Screws	06-81-6350	8-32x1 Fil.Hd.Gear Case Screws (Sem)
★ 06-81-5790	6-32x1/4 Fil. Hd. Sw. Mtg. Sems	06-81-6600	8-32x1-3/4 Fil.Hd.Gear Case Screws (Sem) (2)
23-86-0110	Brush Holder Insul. Washer	06-81-6600	8-32x1-3/4 Fil.Hd. Field Screws (Sem) (2)
06-81-6150	8-32x1/2 Fil.Hd.Sems Cord Clamp Strap Scs. (2)	06-83-2650	1/4-20x3/8 Hd'less Brush Holder Set Scs. (2)
48-03-0010	Attachment Plug Adaptor	06-81-3700	8-32x7/8 Oval Hd. Handle Cover Screws (4)