



SERVICE PARTS LIST

BULLETIN NO.
54-42-5179

SPECIFY CATALOG NO. AND SERIAL NO. WHEN ORDERING PARTS		REVISED BULLETIN 54-42-5178	DATE Oct. '82
T.S.C. REV. DRYWALL SCREW DRIVER			
CATALOG NO. 6750-1	STARTING SERIAL NO. 464-34200	WIRING INSTRUCTION 58-01-0653	
CAT. NO. 6750-6	START SER. NO. 464-34200	BILINGUAL LABEL 10-98-6405	

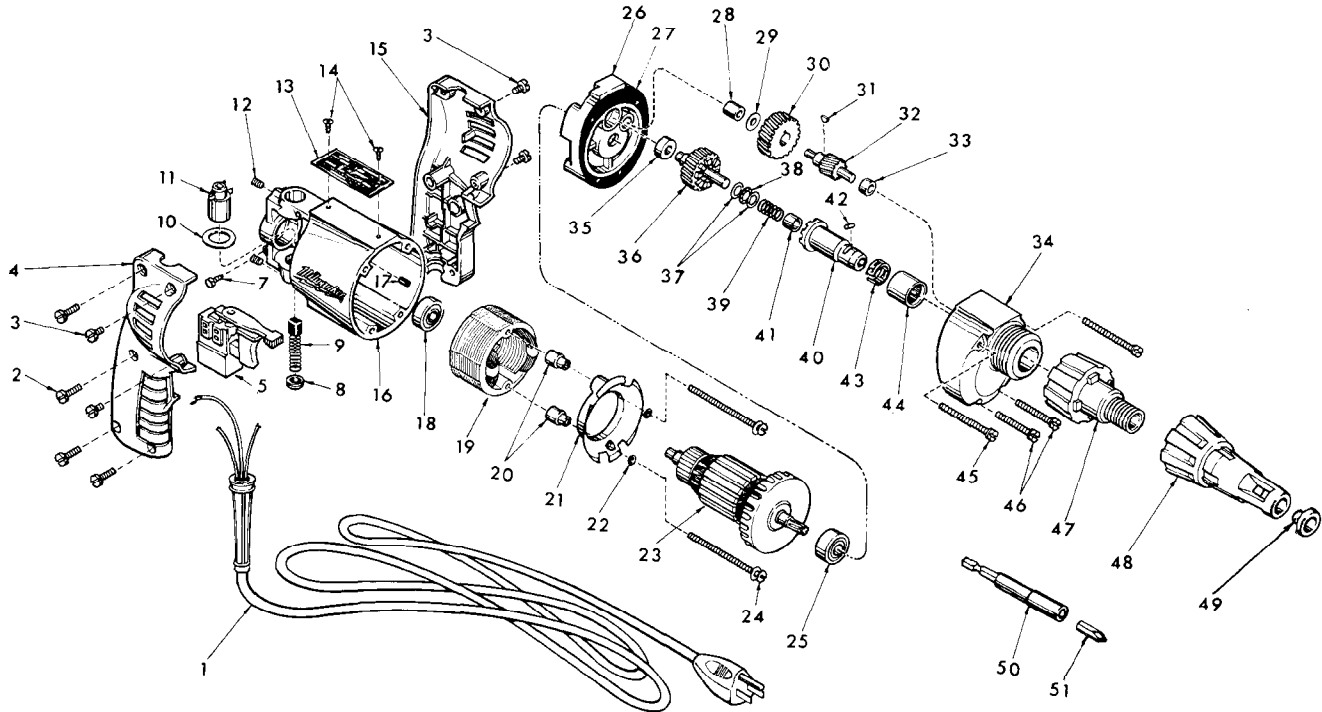


FIG.	PART NO.	DESCRIPTION OF PART	NO. REQ.	FIG.	PART NO.	DESCRIPTION OF PART	NO. REQ.
	1	22-64-0665 Cord Set	(1)	26	28-28-1451	Diaphragm	(1)
★	2	06-95-0220 8-18x3/4 Thread Form Screw	(4)	27	43-44-0280	Gasket	(1)
★	3	06-81-0453 8-32x3/8 Pan Head Screw	(4)	28	02-50-1210	Needle Bearing	(1)
★	4	31-44-0616 R.H. Handle Half	(1)	29	45-88-7280	Nylon Thrust Washer	(1)
★	5	23-66-1240 Reversing Speed Control Switch	(1)	30	32-40-1041	Intermediate Gear	(1)
★	6	10-98-5986 Warning Label (Not Shown) Omit For Canadian Tools	(1)	31	06-42-0400	Woodruff Key	(1)
	7	06-81-8625 6-32x1/4 Ground Screw	(1)	32	36-66-4105	Intermediate Pinion Shaft	(1)
	8	23-44-0020 Brush Retaining Screw	(2)	33	02-50-1635	Needle Bearing	(1)
	9	22-18-0362 Carbon Brush	(2)	34	28-14-1210	Gear Case (Incl. Figs. 41 thru 42)	(1)
	10	23-86-0105 Fiber Washer	(2)	35	02-08-0210	Ball Bearing	(1)
	11	22-22-1251 Brush Holder Assy.	(2)	36	32-10-4000	Clutch Gear	(1)
	12	06-83-2430 10-32x1/4 Hds. Skt. Screw	(2)	37	45-88-0550	Thrust Washer	(2)
★	13	12-99-0019 Nameplate	(1)	38	02-80-0100	Thrust Bearing	(1)
	14	06-85-0200 6x1/4 Round Hd. Type Z Screw	(2)	39	40-50-6600	Separator Spring	(1)
★	15	31-44-0626 L.H. Handle Half	(1)	40	42-66-4000	Drive Chuck (Incl. Figs. 41 thru 42)	(1)
★	16	28-50-6096 Motor Housing (Incl. Fig. 17)	(1)	41	02-50-1610	Needle Bearing	(1)
	17	45-30-0120 Ball Brg. Retaining Slug	(1)	42	02-55-0150	Loose Roller Bearing	(1)
	18	02-04-0740 Ball Bearing	(1)	43	40-50-1450	Bit Retaining Spring	(1)
	19	18-10-0025 120 V. Field	(1)	44	02-50-4050	Needle Bearing	(2)
	20	45-36-0601 Baffle Spacer	(2)	45	06-81-6740	8-32x2 Fil. Hd. Sem	(1)
	21	31-05-0010 Baffle	(1)	46	06-81-6550	8-32x1-1/2 Fil. Hd. Sem	(2)
	22	45-88-7170 Washer	(2)	47	48-32-2500	Bit Housing	(1)
★	23	16-10-0105 120 V. Armature	(1)	48	49-26-1000	Drywall Locator (Incl. Fig. 49)	(1)
	24	06-81-8695 6-32x 2-7/16 Round Hd. Sems	(2)	49	49-78-0100	Locator Tip	(1)
	25	02-04-0880 Ball Bearing	(1)	50	48-32-3025	1/4 Hex Magnetic Bit Holder	(1)
				51	48-32-1050	1/4 Hex No. 2 Phil. Insert Bit	(1)

MILWAUKEE ELECTRIC TOOL CORPORATION
13135 W. LISBON RD., BROOKFIELD, WIS. 53005