



# SERVICE PARTS LIST

## 4000 R.P.M. DRYWALL SCREWDRIVER

### Catalog No. 6751-1

Starting Serial No. **468-1001**

Both Model and Serial No. must be furnished to obtain correct parts.

BUL. 54-42-0200

REVISED BUL. DATE  
Feb. '72

WIRING INSTR. 58-01-0640

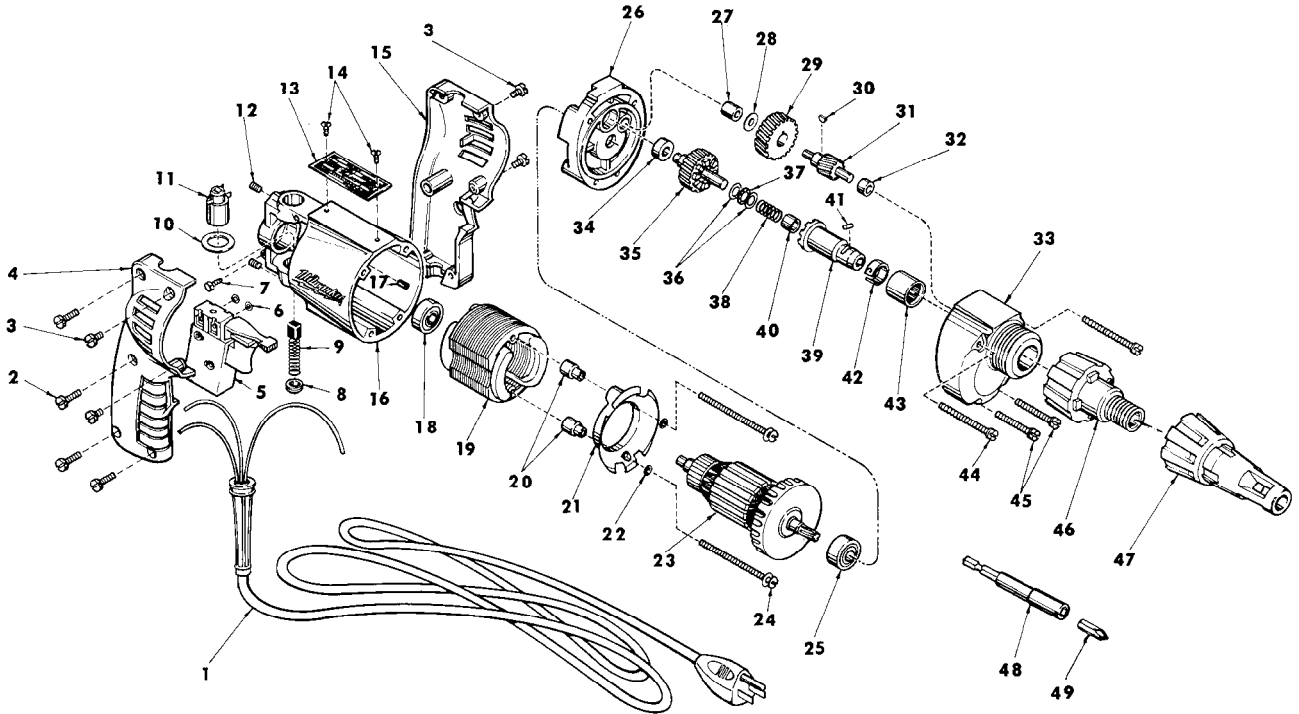


FIG.	PART NO.	DESCRIPTION OF PART	NO. REQ.	FIG.	PART NO.	DESCRIPTION OF PART	NO. REQ.
1	22-64-0660	Cord Set	(1)	26	28-28-1451	Diaphragm	(1)
2	06-81-0400	8-32x3/4 Pan Head Screw	(4)	27	02-50-1210	Needle Bearing	(1)
3	06-81-0450	8-32x3/8 Pan Head Screw	(4)	28	45-88-7280	Nylon Thrust Washer	(1)
4	31-44-0250	R.H. Handle Half	(1)	29	32-40-1041	Intermediate Gear	(1)
5	23-66-0810	Reversing Switch	(1)	30	06-42-0400	Woodruff Key	(1)
6	06-97-1700	Lock Washer (For Switch)	(6)	31	36-66-4105	Intermediate Pinion Shaft	(1)
7	06-81-8625	6-32x1/4 Ground Screw	(1)	32	02-50-1635	Needle Bearing	(1)
8	23-44-0020	Brush Retaining Screw	(2)	33	28-14-1210	Gear Case (Includes 06-65-0825 Groove Pin)	(1)
9	22-18-0360	Carbon Brush	(2)	34	02-08-0210	Ball Bearing	(1)
10	23-86-0105	Washer	(2)	35	32-10-4000	Clutch Gear	(1)
11	22-22-0251	Brush Holder Assy.	(2)	36	45-88-0550	Thrust Washer	(2)
12	06-83-2430	10-32x1/4 Hdls. Skt. Screw	(2)	37	02-80-0100	Thrust Bearing	(1)
13	12-99-0021	Nameplate	(1)	38	40-50-6600	Separator Spring	(1)
14	06-85-0200	6x1/4 Round Hd. Type Z Screw	(2)	39	42-66-4000	Drive Chuck (incl. figs. 40 thru 42)	(1)
15	31-44-0260	L.H. Handle Half	(1)	40	02-50-1610	Needle Bearing	(1)
16	28-50-6091	Motor Housing (Incl. Fig. 17)	(1)	41	02-55-0150	Loose Roller Bearing	(1)
17	45-30-0120	Ball Brg. Retaining Slug	(1)	42	40-50-1400	Bit Retaining Spring	(1)
18	02-04-0740	Ball Bearing	(1)	43	02-50-4010	Needle Bearing	(1)
19	18-22-1160	115 V. Field	(1)	44	06-81-6740	8-32 x 2 Fil. Hd. Sem	(2)
20	45-36-0601	Baffle Spacer	(2)	45	06-81-6550	8-32 x 1-1/2 Fil. Hd. Sem	(2)
21	31-05-0010	Baffle	(1)	46	48-32-2500	Bit Housing	(1)
22	45-88-7170	Washer	(2)	47	49-26-1000	Drywall Locator	(1)
23	16-22-1290	115 V. Armature	(1)	48	48-32-3025	1/4 Hex Magnetic Bit Holder	(1)
24	06-81-8695	6-32x2-7/16 Round Hd. Sems	(2)	49	48-32-1050	1/4 Hex No.2 Phil. Insert Bit	(1)
25	02-04-0880	Ball Bearing	(1)				