



# SERVICE PARTS LIST

**BULLETIN NO.**  
54-42-0131

SPECIFY CATALOG NO. AND SERIAL NO. WHEN ORDERING PARTS		REVISED BULLETIN 54-42-0130	DATE Nov. '84
<b>D.I. DRYWALL SCREWDRIVER</b>			
<b>CATALOG NO. 6753-1</b>	STARTING SERIAL NO. 704-28367	<b>WIRING INSTRUCTION 58-01-0016</b>	

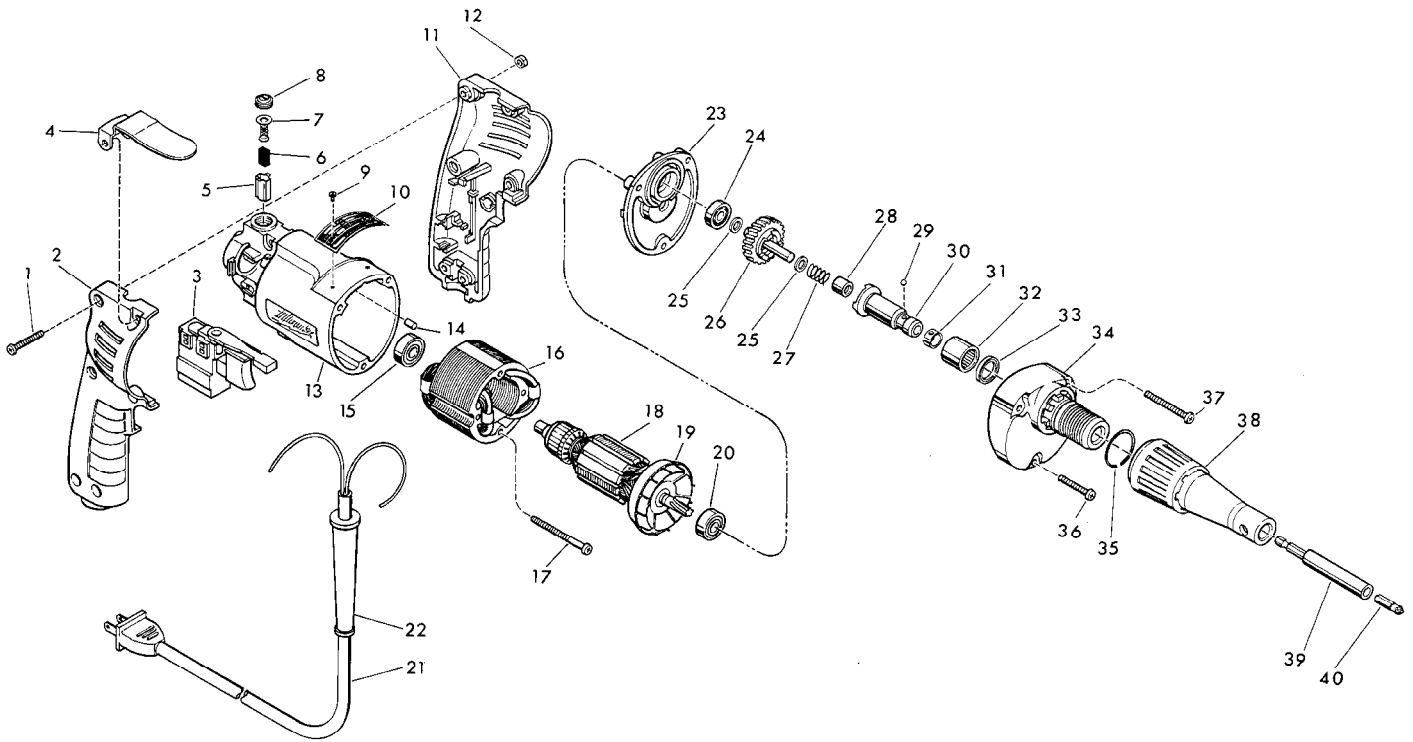


FIG.	PART NO.	DESCRIPTION OF PART	NO. REQ.
1	06-81-0473	8-32 x 1" Pan Hd. Pozi Dr. Screw	(6)
2	31-44-1130	Right Handle Half	(1)
3	23-66-1245	Speed Control Switch	(1)
4	48-67-0100	Belt Clip	(1)
5	22-20-0530	Brush Tube	(2)
6	22-16-0270	Carbon Brush	(2)
7	23-52-0210	Brush Spring Assembly	(2)
8	23-44-0120	Brush Retaining Screw	(2)
9	06-85-0200	Nameplate Screw	(2)
10	12-99-0311	Nameplate Blank	(1)
11	31-44-1140	Left Handle Half	(1)
12	06-55-0835	8-32 Hex Nut	(6)
13	31-50-0340	Motor Housing	(1)
14	45-30-0120	Ball Bearing Retaining Slug	(1)
15	02-04-0710	Ball Bearing	(1)
16	18-10-0060	120V Field	(1)
17	06-95-0145	7 x 1-3/4" Pan Hd. Pozi Drive Screw	(2)
18	16-10-0551	120V D.I. Armature - (Incl. Fig. No. 19)	(1)
19	22-84-0760	Fan Assembly	(1)
20	02-04-0848	Ball Bearing	(1)
21	22-64-0215	Cord Set	(1)
22	44-76-0130	Cord Protector	(1)
23	28-28-1685	Diaphragm	(1)
24	02-04-0640	Ball Bearing	(1)
25	45-88-0712	Thrust Washer	(2)
26	32-10-1020	Clutch Gear Assembly	(1)

FIG.	PART NO.	DESCRIPTION OF PART	NO. REQ.
27	40-50-6600	Separator Spring	(1)
28	02-50-2400	Needle Bearing	(1)
29	02-02-0130	Steel Ball	(1)
30	42-66-0765	Clutch Chuck Assy.(Incl. Fig.Nos. 28, 29 & 31)	(1)
31	40-50-0510	Bit Retaining Spring	(1)
32	02-50-4220	Needle Roller Bearing	(1)
33	45-06-0105	Oil Seal	(1)
★34	28-14-1581	Gear Case	(1)
★35	44-90-0400	Locator Ring	(1)
36	06-95-0170	7-18 x 1" Pan Hd. Pozi Driv Screw	(1)
37	06-95-0175	7-18 x 1-1/2" Pan Hd. Pozi Driv Screw	(2)
38	49-26-1030	Drywall Locator Assembly	(1)
39	48-32-3065	Magnetic Bit Holder	(1)
40	48-32-1050	Insert Bit	(1)
41	10-98-6005	Caution Label (Not Shown)	(1)

**NOTES:**

Screws Fig. No. 1, Fig. No. 17 & Fig. Nos. 36 & 37  
Should Be Torqued To 15-20 Lbs.

**LUBRICATION**

Use 1/4 Oz. Of Type "E" Grease In Gear Case