



# SERVICE PARTS LIST

**0-2500 R.P.M. ADJ. CLUTCH SCREWDRIVER**

**Catalog No. 6783-1**

Starting Serial No. **471-7422**

Specify Catalog and Serial No. when ordering parts

**BUL. 54-42-0352**

REVISED BUL.  
54-42-0351

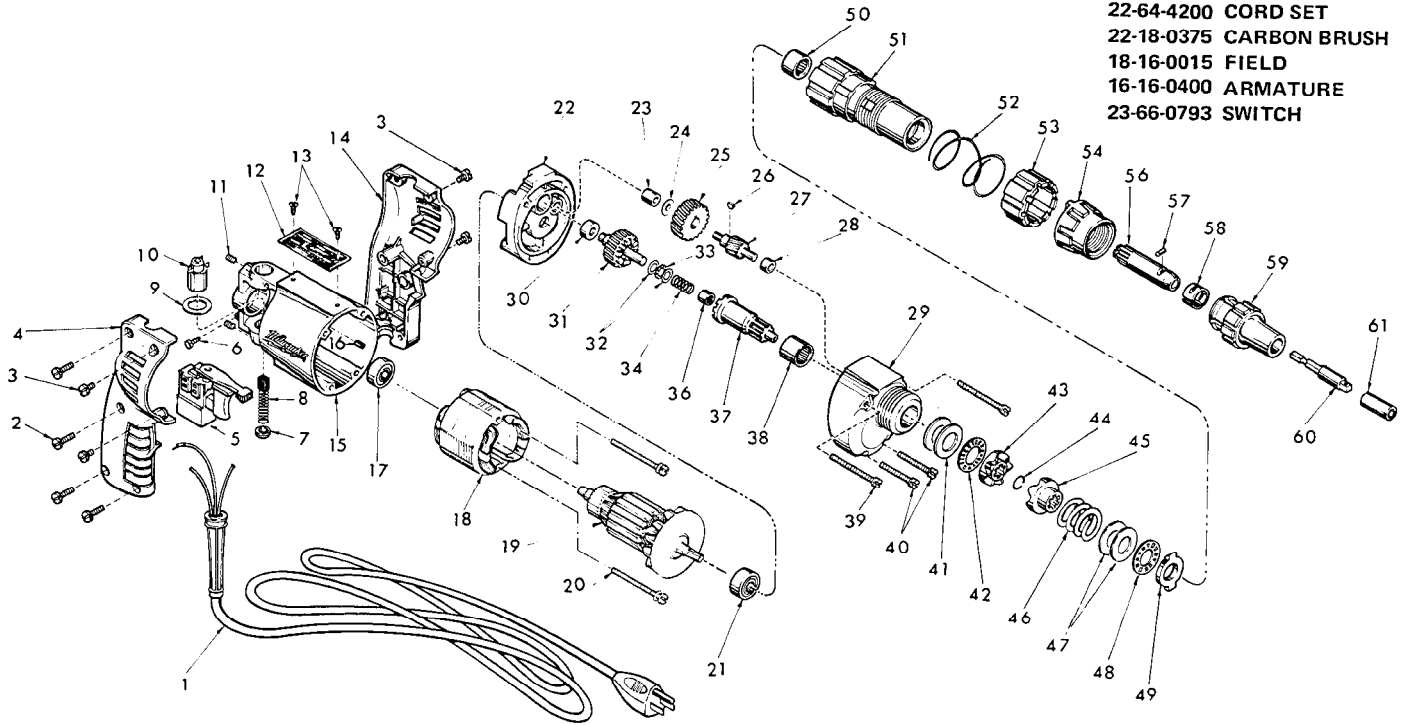
DATE  
Sept. '78

WIRING INSTRUCTIONS  
**58-01-0647**

4.5 AMPS

FOR CAT. NO. 6783-3 (240V) TOOL USE:

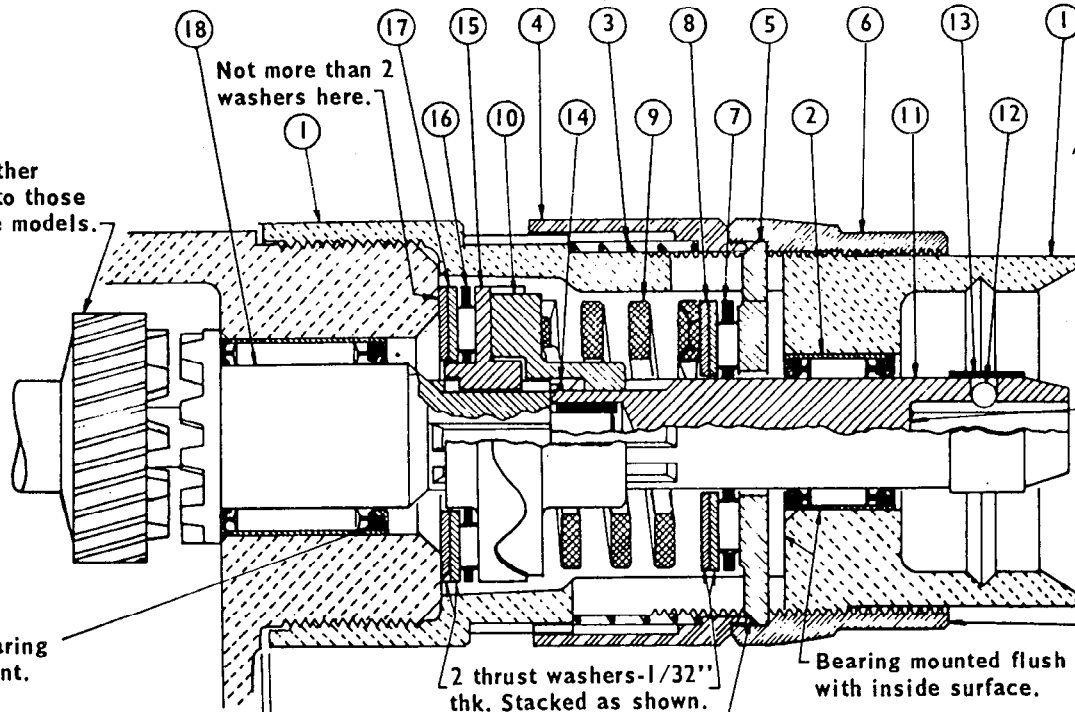
- 22-64-4200 CORD SET
- 22-18-0375 CARBON BRUSH
- 18-16-0015 FIELD
- 16-16-0400 ARMATURE
- 23-66-0793 SWITCH



| FIG. | PART NO.   | DESCRIPTION OF PART                        | NO. REQ. | FIG. | PART NO.   | DESCRIPTION OF PART                                  | NO. REQ. |
|------|------------|--|----------|------|------------|--|----------|
| 1    | 22-64-0665 | Cord Set                                   | (1)      | 34   | 40-50-6600 | Separator Spring                                     | (1)      |
| 2    | 06-81-0402 | 8-32x3/4 Pan Head Screw                    | (4)      | 35   | 36-14-0675 | Clutch Shaft Assembly (Includes Fig. Nos. 36 & 37)   | (1)      |
| 3    | 06-81-0452 | 8-32x3/8 Pan Head Screw                    | (4)      | 36   | 02-50-1610 | Needle Bearing                                       | (1)      |
| ★ 4  | 31-44-0610 | R. H. Handle Half                          | (1)      | 37   | 36-14-0660 | Clutch Shaft   | (1)      |
| 5    | 23-66-0792 | Rev. Speed Control Switch                  | (1)      | 38   | 02-50-4035 | Needle Bearing                                       | (1)      |
| 6    | 06-81-8625 | 6-32x1/4 Ground Screw                      | (1)      | 39   | 06-81-6740 | 8-32x2 Fil. Hd. Sem                                  | (2)      |
| 7    | 23-44-0020 | Brush Retaining Screw                      | (2)      | 40   | 06-81-6550 | 8-32x1-1/2 Fil. Hd. Sem                              | (2)      |
| ★ 8  | 22-18-0362 | Carbon Brush                               | (2)      | 41   | 45-88-0510 | Thrust Washer  | (2)      |
| 9    | 23-86-0105 | Washer                                     | (2)      | 42   | 02-80-1210 | Thrust Bearing                                       | (1)      |
| ★ 10 | 22-22-1251 | Brush Holder Assy.                         | (2)      | ★ 43 | 42-70-5015 | Drive Chuck  | (1)      |
| 11   | 06-83-2430 | 10-32x1/4 Hdls. Skt. Screw                 | (2)      | 44   | 34-60-0840 | Retaining Ring                                       | (1)      |
| 12   | 12-99-0021 | Nameplate                                  | (1)      | ★ 45 | 42-70-5025 | Driven Clutch  | (1)      |
| 13   | 06-85-0200 | 6x1/4 Round Hd. Type Z Screw               | (2)      | 46   | 40-50-1010 | Compression Spring                                   | (1)      |
| ★ 14 | 31-44-0620 | L. H. Handle Half                          | (1)      | 47   | 45-88-7150 | Thrust Washer  | (2)      |
| 15   | 28-50-6091 | Motor Housing (Includes Fig. 16)           | (1)      | 48   | 02-80-6020 | Thrust Bearing                                       | (1)      |
| 16   | 45-30-0120 | Ball Bearing Retaining Slug                | (1)      | 49   | 42-05-0010 | Adjust. ment Ring                                    | (1)      |
| 17   | 02-04-0740 | Ball Bearing                               | (1)      | 50   | 02-50-3225 | Needle Bearing                                       | (1)      |
| ★ 18 | 18-10-0015 | 120 V. Field                               | (1)      | 51   | 28-50-2000 | Clutch Housing                                       | (1)      |
| ★ 19 | 16-10-0400 | 120 V. Armature                            | (1)      | 52   | 40-50-0910 | Spring   | (1)      |
| ★ 20 | 06-81-5950 | 6-32x1-7/8 Fil. Hd. Sems                   | (2)      | 53   | 31-58-0030 | Locking Collar                                       | (1)      |
| 21   | 02-04-0880 | Ball Bearing                               | (1)      | 54   | 42-05-0040 | Adjusting Ring                                       | (1)      |
| 22   | 28-28-1451 | Diaphragm                                  | (1)      | 55   | 42-66-0675 | Chuck Shaft Assembly (Includes Fig. Nos. 56 thru 58) | (1)      |
| 23   | 02-50-1210 | Needle Bearing                             | (1)      | 56   | 42-66-0670 | Chuck Shaft  | (1)      |
| 24   | 45-88-7280 | Nylon Thrust Washer                        | (1)      | 57   | 02-55-0150 | Loose Roller Bearing                                 | (1)      |
| 25   | 32-40-1611 | Intermediate Gear                          | (1)      | 58   | 40-50-1450 | Bit Retaining Spring                                 | (1)      |
| 26   | 06-42-0400 | Woodruff Key                               | (1)      | 59   | 48-32-0250 | 1/4 Bit Guide  | (1)      |
| 27   | 36-66-4100 | Intermediate Pinion Shaft                  | (1)      |      | 48-32-0312 | 5/16 Bit Guide                                       | (1)      |
| 28   | 02-50-1635 | Needle Bearing                             | (1)      |      | 48-32-0375 | 3/8 Bit Guide  | (1)      |
| 29   | 28-14-1210 | Gear Case (Includes 06-65-0825 Groove Pin) | (1)      | 60   | 48-32-2050 | 1/4 Driver (For Sockets)                             | (1)      |
| 30   | 02-08-0210 | Ball Bearing                               | (1)      | 61   | 49-66-3010 | 5/16 Hex Socket                                      | (1)      |
| 31   | 32-10-2500 | Clutch Gear                                | (1)      | 62   | 12-98-7081 | Caution Plate (Not Shown)                            | (1)      |
| 32   | 45-88-0550 | Thrust Washer                              | (2)      |      |            |  |          |
| 33   | 02-80-0100 | Thrust Bearing                             | (1)      |      |            |  |          |

PARTS LISTED IN ORDER OF ASSEMBLY

| ITEM NO. | PART NO.   | DESCRIPTION            |
|----------|------------|------------------------|
| 1        | 28-50-2000 | CLUTCH HOUSING         |
| 2        | 02-50-3225 | SEALED ROLLER BEARING  |
| 3        | 40-50-0910 | SPRING                 |
| 4        | 31-58-0030 | LOCKING COLLAR         |
| 5        | 42-05-0010 | ADJUSTMENT RING        |
| 6        | 42-05-0040 | ADJUSTING RING         |
| 7        | 02-80-6020 | THRUST BEARING         |
| 8        | 45-88-7150 | THRUST WASHERS (2 ea.) |
| 9        | 40-50-1010 | COMPRESSION SPRING     |
| 10       | 42-70-5024 | DRIVEN CLUTCH          |
| 11       | 42-66-0670 | CHUCK SHAFT            |
| 12       | 02-55-0150 | LOOSE ROLLER BNG.      |
| 13       | 40-50-1450 | BIT RETAINING SPRING   |
| 14       | 34-60-0840 | RETAINING RING         |
| 15       | 42-70-5014 | DRIVE CLUTCH           |
| 16       | 02-80-1210 | THRUST BEARING         |
| 17       | 45-88-0510 | THRUST WASHERS (2 ea.) |
| 18       | 36-14-0660 | CLUTCH SHAFT           |



Clutch gear & other gears identical to those in positive drive models.

Single seal bearing seal toward front.

Not more than 2 washers here.

1/32" space is normal - if greater, thrust washer may be caught between clutch housing and gear case.

2 thrust washers - 1/32" thk. Stacked as shown.

Bevel must be toward rear of tool - ground surface toward front.

Wavy clutch splines must slide back & forth freely on shaft splines. Defective splines that stick will not allow proper functioning.

Bearing mounted flush with inside surface.

1/4" hex bits, when installed, should move back & forth freely for about 1/8" If bit jams or sticks near bottom, replace 42-66-0670 chuck shaft.

For ease of assembly, turn adjusting ring to lowest possible setting.

LUBRICATION

Apply 1/2 tsp. type A grease on wavy surface of item 15 and small amount on thrust bearings, items 7 & 16. Gear case lub. same as all other screwdrivers.

CLUTCH SUB-ASSEMBLY

NOT IN ORDER OF ASSEMBLY

ASSEMBLY DETAILS-ADJUSTABLE CLUTCH MECHANISM-MODEL 6783-1