



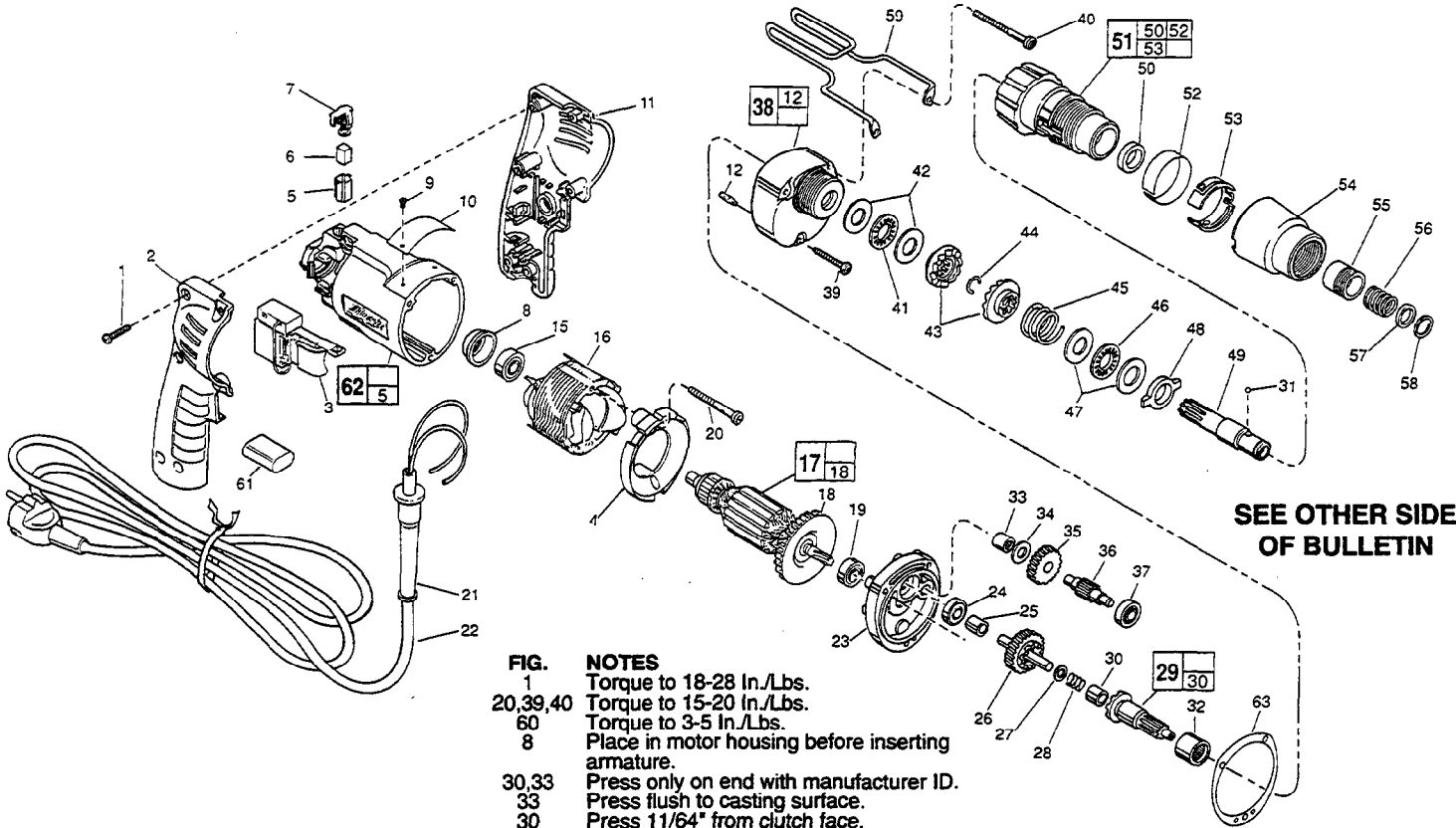
SERVICE PARTS LIST

BULLETIN NO.
55-42-0360

SPECIFY CATALOG NO. AND SERIAL NO. WHEN ORDERING PARTS		REVISED BULLETIN	DATE
ADJUSTABLE TORQUE SCREWDRIVER			July '96
CATALOG NO. 6783-4	STARTING SERIAL NO. 471A	WIRING INSTRUCTION 58-03-0023	

EXAMPLE:

Component Parts (Small #) Are Included
When Ordering The Assembly (Large #).



- FIG. NOTES**
- 1 Torque to 18-28 In./Lbs.
 - 20,39,40 Torque to 15-20 In./Lbs.
 - 60 Torque to 3-5 In./Lbs.
 - 8 Place in motor housing before inserting armature.
 - 30,33 Press only on end with manufacturer ID.
 - 33 Press flush to casting surface.
 - 30 Press 11/64" from clutch face.
 - 15, 19,24 Seal towards armature.

FIG. PART NO.	DESCRIPTION OF PART	NO. REQ.	
1	06-82-7284	8-16 x 3/4" Pan Hd. Slit. Plast. T-20	(6)
2	31-44-1745	Right Handle Half	(1)
3	23-66-2145	Speed Control Switch	(1)
4	42-14-0380	Baffle	(1)
5	22-20-0830	Brush Tube	(2)
6	22-16-0375	Carbon Brush	(2)
7	23-52-1570	Brush Spring Assembly	(2)
8	22-72-0100	Bearing Cup	(1)
9	06-72-1720	Nameplate Rivet	(2)
10	12-99-0570	Service Nameplate	(1)
11	31-44-1740	Left Handle Half	(1)
12	06-65-0825	1/8 x 1/2 Groove Pin No. 5	(1)
15	02-04-0645	Ball Bearing	(1)
16	18-12-0150	230 V. Field	(1)
17	16-14-0690	230 V. Armature	(1)
18	22-84-0880	Fan Assembly	(1)
19	02-04-0851	Ball Bearing	(1)
20	06-82-7203	7-18 x 2-1/8" Pan Hd. Slit. Plastite T-20	(2)
21	44-76-0210	Cord Protector	(1)
22	22-64-4535	Cord Set	(1)
23	28-28-1961	Diaphragm	(1)
24	02-04-0645	Ball Bearing	(1)
25	45-36-1280	Spacer	(1)
26	32-10-4045	Clutch Gear Assembly	(1)
27	45-88-0712	Thrust Washer	(1)
28	40-50-6600	Separator Spring	(1)
29	14-73-0250	Clutch Shaft Assembly	(1)
30	02-50-2400	Needle Bearing	(1)
31	02-02-0130	Steel Ball	(1)
32	02-50-4225	Needle Roller Bearing	(1)
33	02-50-2410	Needle Bearing	(1)
34	45-88-7990	Thrust Washer	(1)
35	32-40-1612	Intermediate Gear	(1)
36	36-66-4101	Intermediate Pinion Shaft	(1)
37	02-04-0640	Ball Bearing	(1)
38	14-30-0600	Gear Case Assembly	(1)

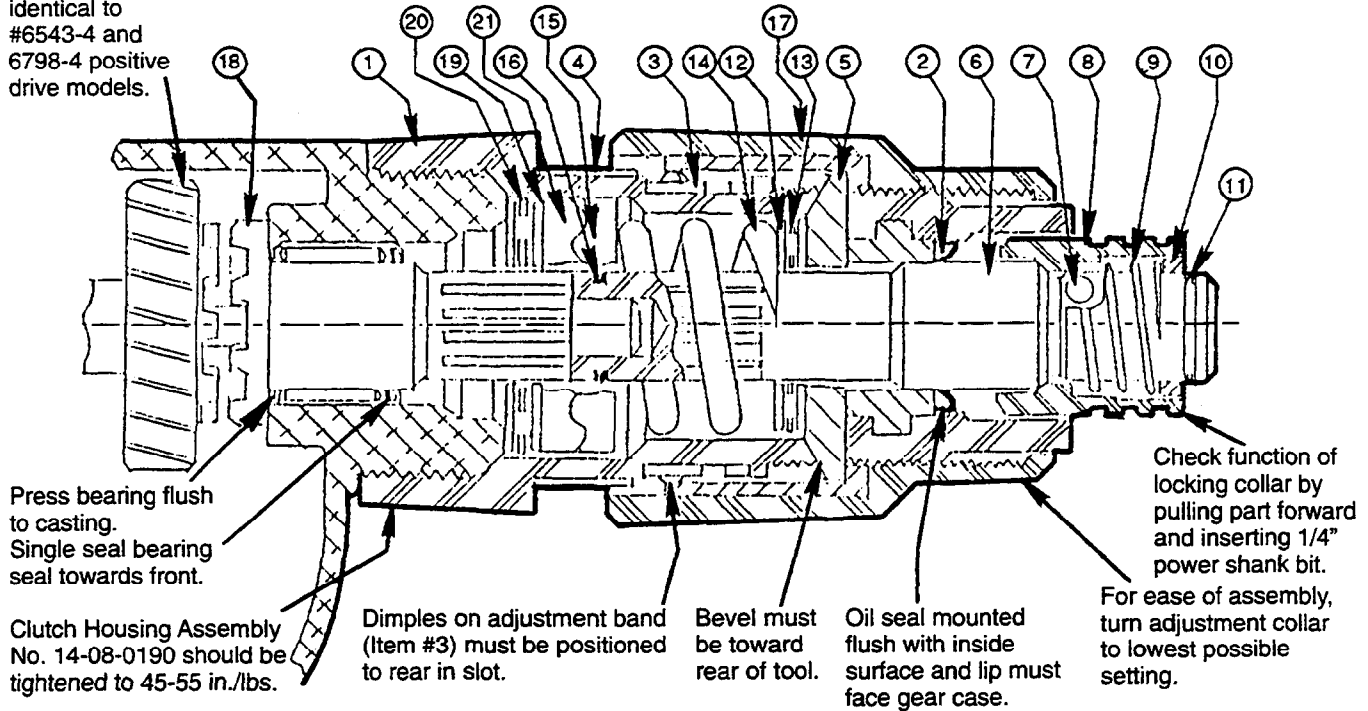
FIG. PART NO.	DESCRIPTION OF PART	NO. REQ.	
39	06-82-7344	7-18 x 1-1/2" Pan Hd. Slit. Plast. T-20	(1)
40	06-82-7464	7-18 x 2-3/4" Pan Hd. Slit. Plast. T-20	(2)
41	02-80-1200	Thrust Bearing	(1)
42	45-88-0510	Thrust Bearing Washer	(2)
43	42-70-5016	Drive Clutch	(2)
44	34-60-0545	Retaining Ring	(1)
45	40-50-8000	Clutch Spring	(1)
46	02-80-6020	Thrust Bearing	(1)
47	45-88-7150	Thrust Bearing Washer	(2)
48	44-90-4280	Adjustment Ring	(1)
49	42-66-0676	Chuck Shaft	(1)
50	45-06-0106	Oil Seal	(1)
51	14-08-0190	Clutch Housing Assembly	(1)
52	10-79-3100	Torque Setting Label	(1)
53	42-16-0140	Adjustment Band	(1)
54	42-76-0460	Adjustment Collar	(1)
55	42-76-0390	Locking Collar	(1)
56	40-50-8005	Compression Spring	(1)
57	45-36-1300	Spacer	(1)
58	34-60-2390	Retaining Ring	(1)
59	42-70-5080	Belt Clip	(1)
61	14-20-0530	Suppressor Assembly	(1)
62	14-38-0591	Motor Housing Assembly	(1)
63	43-44-0925	Gasket	(1)
	49-66-3016	5/16" Hex Socket	(1)

- FIG. LUBRICATION**
- 38 1-1/2 Oz. Type "E" Grease, No. 49-08-4122.
 - 43 1/16 Oz. Type "F" Grease, No. 49-08-4160 On Clutch Faces.
 - 41,46,50 Apply Small Amount Of "F" Grease, No. 49-08-4160.
 - 48 Apply Small Amount Of "F" Grease, No. 49-08-4160 On Tabs.

MILWAUKEE ELECTRIC TOOL CORPORATION
13135 W. LISBON RD., BROOKFIELD, WI 53005

PARTS LIST IN ORDER OF ASSEMBLY ADJUSTABLE TORQUE SCREWDRIVER CAT. NO. 6583-4 AND 6783-4

Clutch gear and other gears identical to #6543-4 and 6798-4 positive drive models.



LUBRICATION

Drive clutches must slide back and forth freely on shaft splines. Defective splines that stick will not function properly.

Apply 1/16 oz. Type "F" Grease on clutch faces of drive clutch (#15 & #21). Apply small amount of Type "F" Grease on thrust bearings (#13 & #20, oil seal lip #2 and tabs of adjustment ring #5).

	ITEM NO.	PART NO.	DESCRIPTION	
Clutch Housing Assembly No. 14-08-0190	1	43-76-0550	Clutch Housing (Includes Bushing No. 42-40-0920)	Clutch Sub-Assembly
	2	45-06-0106	Oil Seal	
	3	42-16-0140	Adjustment Band	
Sub-Assembly	4	10-79-3100	Torque Setting Label	
	5	44-90-4280	Adjustment Ring	
	6	42-66-0676	Chuck Shaft	
	7	02-02-0130	Steel Ball	
	8	42-76-0390	Locking Collar	
	9	40-50-8005	Spring	
	10	45-36-1300	Spacer	
	11	34-60-2390	Retaining Ring	
	12	45-88-7150	Thrust Washers (2 each) (Place on each side of Item #13)	
	13	02-80-6020	Thrust Bearing	
14	40-50-8000	Clutch Spring		
15	42-70-5016	Drive Clutch		
16	34-60-0545	Retaining Ring		
	17	42-76-0460	Adjustment Collar (Includes Insert No. 43-84-0740)	Not In Order Of Assembly
	18	14-73-0250	Clutch Shaft Assembly (Includes Clutch Shaft No. 36-14-0661 and Needle Bearing No. 02-50-2400)	
	19	45-88-0510	Thrust Bearing Washers (2 each) (Place on each side of Item #20)	
	20	02-80-1200	Thrust Bearing	
	21	42-70-5016	Drive Clutch	