



# SERVICE PARTS LIST

**BULLETIN NO.**  
**54-42-0092**

SPECIFY CATALOG NO. AND SERIAL NO. WHEN ORDERING PARTS		REVISED BULLETIN 54-42-0091	DATE May '92
<b>MAGNUM SCREW-SHOOTER</b>			
CATALOG NO.	6793-1	STARTING SERIAL NO.	695-22260
		WIRING INSTRUCTION <b>58-01-1074</b>	

**EXAMPLE:**  
Component Parts  
(Small #) Are  
Included When  
Ordering The  
Assembly (Large #).

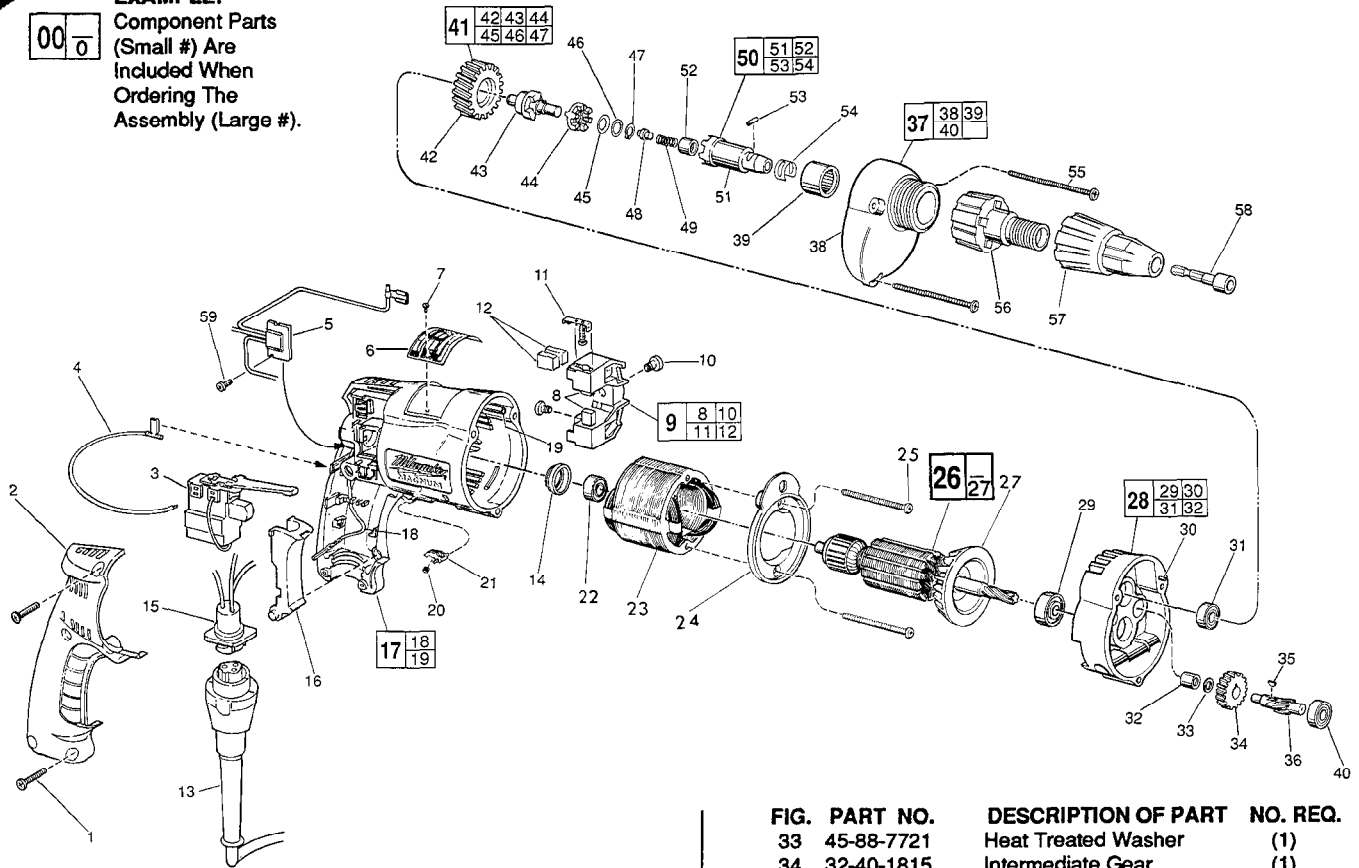


FIG.	PART NO.	DESCRIPTION OF PART	NO. REQ.
★ 1	06-82-7266	7-18 x 11/16" Plastite T-20	(5)
★ 2	31-15-0400	Handle Cover	(1)
★ 3	23-66-1665	Reversing Switch	(1)
★ 4	23-94-6245	2-1/4" Lead Assembly	(1)
★ 5	14-20-0250	Remote Electronic Assembly	(1)
★ 6	12-99-0081	Nameplate Blank	(1)
★ 7	06-85-0200	Nameplate Screw	(2)
★ 8	22-16-0275	Carbon Brush	(2)
★ 9	22-22-0351	BrushHolder Assembly	(1)
★ 10	31-75-0040	Brush Holder Screw	(2)
★ 11	22-20-0345	Brush Spring Assembly	(2)
★ 12	22-16-0275	Carbon Brush (Spares)	(2)
★ 13	48-76-4008	Cord Set	(1)
★ 14	22-72-0100	Bearing Cup	(1)
★ 15	22-56-0302	Pin Housing Assembly	(1)
★ 16	45-72-0080	Trigger	(1)
★ 17	14-38-0580	Motor Housing Assembly	(1)
★ 18	23-94-9686	Ground Wire Assembly	(1)
★ 19	44-60-1290	Grounding Pin	(1)
★ 20	40-50-0085	Lock Button Spring	(1)
★ 21	42-42-0150	Lock Button	(1)
★ 22	02-04-0645	Ball Bearing	(1)
★ 23	18-10-0055	120 Volt Field	(1)
★ 24	31-05-0065	Baffle	(1)
★ 25	06-82-7380	7-18 x 1-7/8" Pan Plastite T-20	(2)
★ 26	16-10-0500	120 Volt Armature Assembly	(1)
★ 27	22-84-0650	Fan Assembly	(1)
★ 28	14-13-0470	Diaphragm Assembly	(1)
★ 29	02-04-0847	Ball Bearing	(1)
★ 30	06-65-0825	1/8 x 1/2 Groove Pin	(1)
★ 31	02-04-0645	Ball Bearing	(1)
★ 32	02-50-1620	Needle Bearing	(1)

FIG.	PART NO.	DESCRIPTION OF PART	NO. REQ.
★ 33	45-88-7721	Heat Treated Washer	(1)
★ 34	32-40-1815	Intermediate Gear	(1)
★ 35	06-42-0400	Woodruff Key	(1)
★ 36	36-66-4280	Intermediate Pinion	(1)
★ 37	14-30-0340	Gear Case Assembly	(1)
★ 38	28-14-1450	Gear Case	(1)
★ 39	02-50-4050	Needle Bearing	(1)
★ 40	02-04-0640	Ball Bearing	(1)
★ 41	32-10-4030	Clutch Gear Assembly	(1)
★ 42	32-75-2940	Spindle Gear	(1)
★ 43	36-14-0680	Gear Shaft	(1)
★ 44	42-70-5030	Drive Clutch	(1)
★ 45	45-88-0705	Spring Washer	(1)
★ 46	45-88-0550	Flat Washer	(1)
★ 47	34-60-0510	External Retaining Ring	(1)
★ 48	44-60-0500	Thrust Pin	(1)
★ 49	40-50-0080	Separator Spring	(1)
★ 50	14-73-0120	Chuck Shaft Assembly	(1)
★ 51	42-66-6770	Chuck Shaft	(1)
★ 52	02-50-1615	Needle Bearing	(1)
★ 53	02-55-0150	Loose Roller Bearing	(1)
★ 54	40-50-1450	Bit Retaining Spring	(1)
★ 55	06-82-7411	7-18 x 2-3/16" Pan Hd. T-20	(3)
★ 56	48-32-2500	Bit Housing	(1)
★ 57	49-26-0250	Locator 1/4" Hex Socket	(1)
★ 57	49-26-0312	Locator 5/16" Hex Socket	(1)
★ 57	49-26-0375	Locator 3/8" Hex Socket	(1)
★ 58	49-66-3016	5/16" Socket Extension - Magnetic	(1)
★ 59	06-82-7212	4-20x1/4" Pan Hd. Plastite T-10	(2)
★ 59	10-98-5986	Warning Label	(1)

**FIG. LUBRICATION**  
38 1-1/2 OZ. Type "E" Grease, No. 49-08-4122.  
Place Grease Near Intermediate Shaft Ball Bearing In Gear Case.  
**MILWAUKEE ELECTRIC TOOL CORPORATION**  
13135 W. LISBON RD., BROOKFIELD, WI 53005