



SERVICE PARTS LIST

BUL. 54-42-5451

TEK SCREWDRIVER

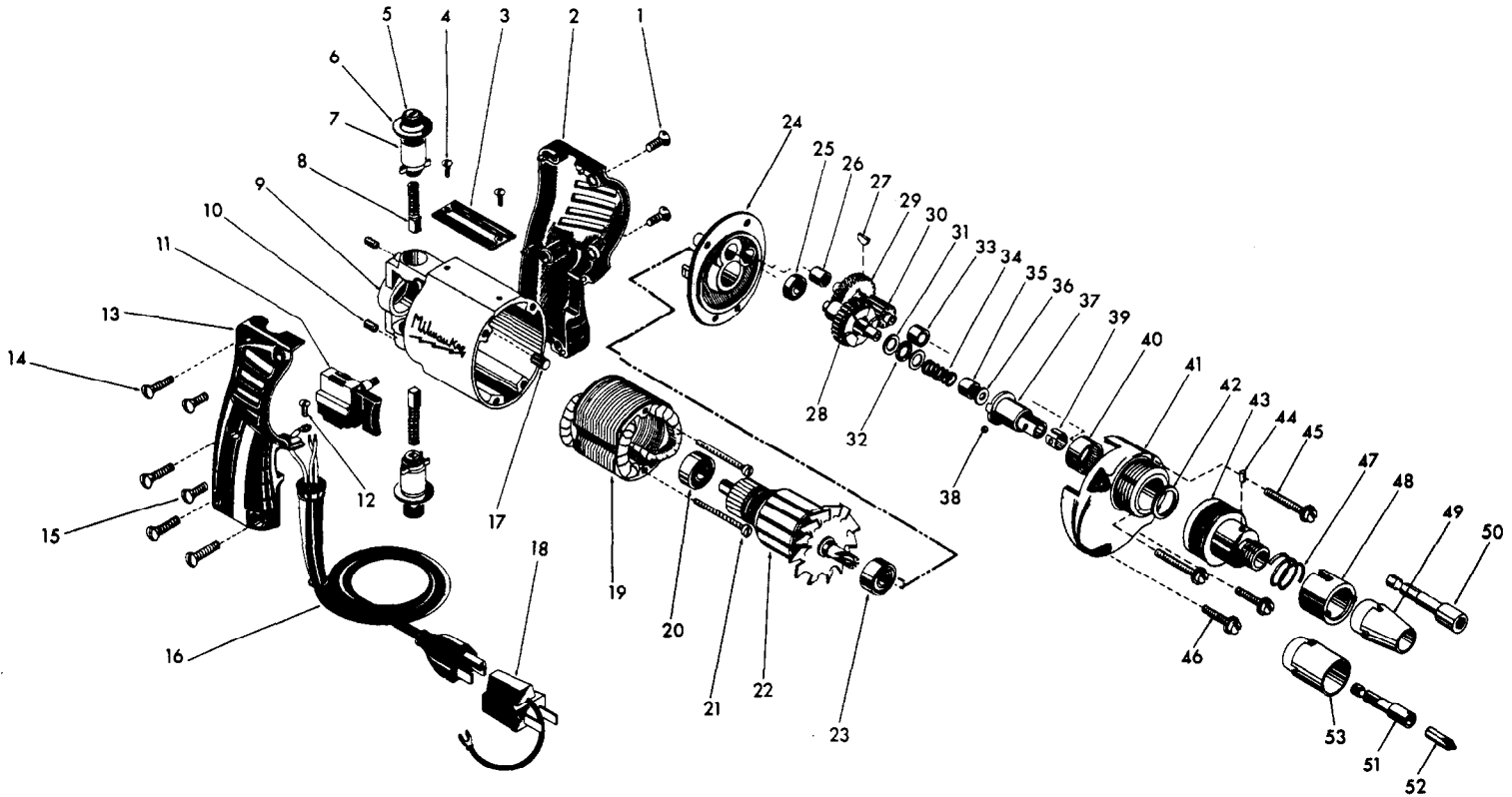
REVISED BUL 6392-2 DATE Feb. '68

Catalog No. 6796-1

Starting Serial No. **392-1135**

WIRING INSTR.

Both Model and Serial No. must be furnished to obtain correct parts.



ILLUSTRATED PARTS

FIG.	PART NO.	DESCRIPTION OF PART	NO.REQ.	FIG.	PART NO.	DESCRIPTION OF PART	NO.REQ.
1	06-81-3600	8-32x3/8 Oval Hd. Handle Mtg. Screw	(2)	30	36-66-4051	Intermediate Pinion Shaft	
2	31-44-0111	L. H. Handle Half		31	45-88-0550	Thrust Washer	(2)
3	12-98-0600	Name Plate		32	02-80-0100	Thrust Bearing	
4	06-81-4300	3-48x3/16 Rd.Hd.Name Plate Screws	(2)	33	02-50-1620	Needle Bearing	
5	23-44-0020	Brush Retaining Cap	(2)	34	40-50-6600	Separator Spring	
6	23-86-0070	Insulating Washer	(2)	35	02-50-1610	Needle Bearing	
7	22-22-0251	Brush Holder Assy.	(2)	36	45-88-0540	Back-Up Washer	
8	22-18-0360	Carbon Brush Assy.	(2)	*37	42-66-0321	Chuck Assy.	
9	28-50-6091	Motor Housing		38	02-02-0150	5/32 Dia. Ball	
10	06-83-0100	10-32x1/4 Hd'less Slotted Br.Hd.Srs.	(2)	39	40-50-1400	Bit Retaining Spring	
11	23-66-0520	Reversing Switch		40	02-50-4030	Needle Bearing	
12	06-81-8625	6-32x1/4 (Bronze) Rd. Hd. Ground Screw		41	28-14-1201	Gear Case	
13	31-44-0100	R. H. Handle Half		42	45-06-0065	Spindle Oil Seal	
14	06-81-3650	8-32x3/4 Oval Hd. Handle Mtg. Scrs.	(4)	43	43-76-0277	Bit Housing Assy.	
15	06-81-3600	8-32x3/8 Oval Hd. Handle Mtg. Srs.	(2)	44	06-65-1520	Roll Pin (Incl. with Item 43)	
16	22-64-0450	Cord Set		45	06-81-6550	8-32x 1 1/2 Fil.Hd. Sems Gear Case Screws	(2)
17	45-30-0120	Ball Bearing Ret. Slug		46	06-81-6350	8-32x 1 Fil.Hd. Sems Gear Case Screws	(2)
18	48-03-0010	Attachment Plug Adaptor		47	40-50-7640	Locking Collar Spring	
19	18-22-1151	Field Assy.		48	42-76-0161	Locking Collar	
20	02-04-0740	Ball Bearing		*49	49-26-0010	1/4" Locator	
21	06-81-5950	6-32x 1-7/8 Fil. Hd. Field Screws	(2)		49-26-0020	5/16" Locator	
22	16-22-1251	Armature Assy.			49-26-0030	3/8" Locator	
23	02-04-0880	Ball Bearing		*50	49-66-3005	1/4 One Piece Socket with Extension	
24	28-28-1381	Diaphragm			49-66-3015	5/16 One Piece Socket with Extension	
25	02-08-0210	Ball Bearing			49-66-3025	3/8 One Piece Socket with Extension	
26	02-50-1210	Needle Bearing		*51	48-32-3050	Insert Bit Holder	
27	06-42-0400	Woodruff Key		*52	48-32-1050	No. 2 Insert Bit	
*28	32-10-0111	Clutch Gear Assy.			48-32-1070	No. 3 Insert Bit	
29	32-40-1041	Intermediate Gear		53	49-26-0040	Locator Sleeve	