



# SERVICE PARTS LIST

**BULLETIN NO.**  
54-44-0100

SPECIFY CATALOG NO. AND SERIAL NO. WHEN ORDERING PARTS		REVISED BULLETIN	DATE
16 GAUGE SHEAR			May '82
CATALOG NO. 6800	STARTING SERIAL NO. 220-1001	WIRING INSTRUCTION 58-01-0100	
CAT. NO. 6800-6	START SER. NO. 220-1001	BILINGUAL LABEL 10-98-6120	

FOR CAT. NO. 6800-2  
(240V) TOOL USE:

- 22-18-0376 CARBON BRUSH
- 16-26-1150 ARMATURE ASSEMBLY
- 18-26-1030 FIELD ASSEMBLY
- 22-64-4100 CORD SET

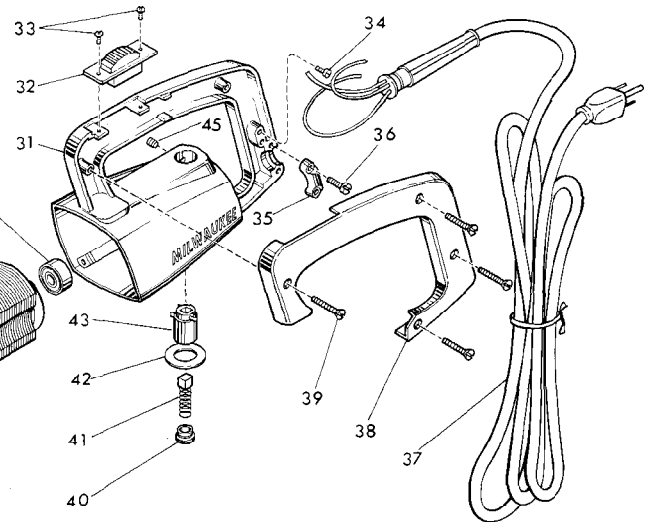
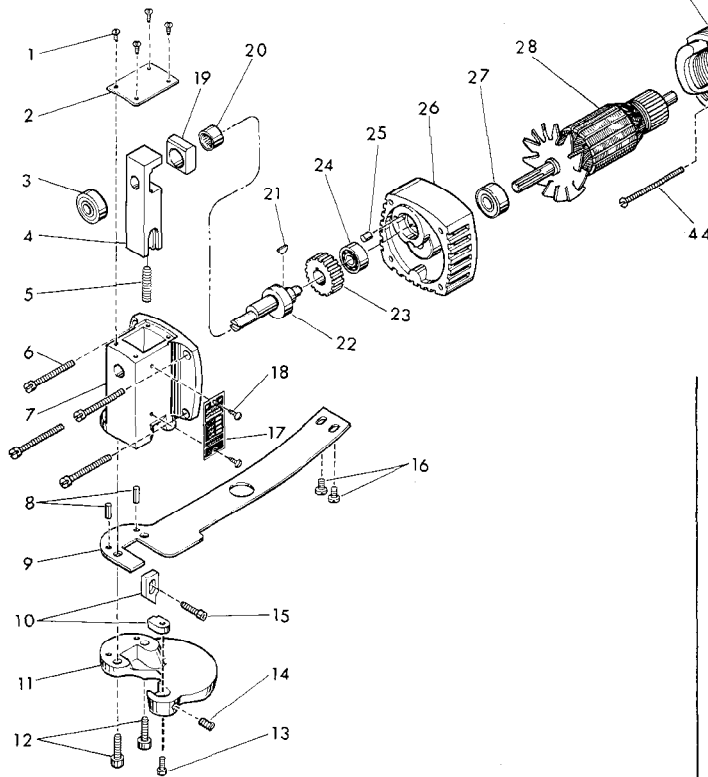


FIG.	PART NO.	DESCRIPTION OF PART	NO. REQ.
1	06-81-8650	6-32x1/4 Rd. Hd. Sems	(4)
2	42-92-0050	Gear Case Cover	(1)
3	02-04-0760	Ball Bearing	(1)
4	38-50-2327	Blade Ram	(1)
5	06-83-2740	1/4-28x1 Hdls. Set Screw	(1)
6	06-81-6550	8-32x1-1/2 Fil. Hd. Sems	(4)
7	28-14-0641	Gear Case	(1)
8	06-65-0800	1/8x3/8 Type 5 Groove Pin	(2)
9	42-38-0050	Body Bumper	(1)
10	48-44-0070	Shear Blade Set	(1)
11	30-99-0061	Yoke	(1)
12	06-75-3050	1/4-20x3/4 Skt. Hd. Screw	(2)
13	06-75-2000	8-32x3/8 Skt. Hd. Screw	(1)
14	06-83-2720	1/4-28x3/8 Hdls. Set Screw	(1)
15	06-75-2055	8-32x1/2 Skt. Hd. Cap Screw	(1)
16	06-81-5502	8-32x3/8 Phil. Slot Hd. Sems	(2)

FIG.	PART NO.	DESCRIPTION OF PART	NO. REQ.
17	12-98-4200	Nameplate Blank	(1)
18	06-85-0200	6x1/4 Nameplate Screw	(1)
19	42-28-0040	Cam Block	(1)
20	02-50-2420	Needle Bearing	(1)
21	06-42-0800	Woodruff Key	(1)
22	36-18-0560	Reciprocating Spindle	(1)
23	32-75-1391	Spindle Gear	(1)
24	02-04-0820	Ball Bearing	(1)
25	45-30-0070	Ball Bearing Retaining Slug	(1)
26	28-28-0461	Diaphragm	(1)
27	02-04-0880	Ball Bearing	(1)
28	16-22-1106	Armature Assembly	(1)
29	18-22-1030	Field Assembly	(1)
30	02-04-0740	Ball Bearing	(1)
31	28-50-4541	Motor Housing Assembly (Includes Fig. Nos. 38 & 39)	(1)
32	23-66-0310	Switch	(1)
33	06-81-8650	6-32x1/4 Rd. Hd. Sems	(2)
34	06-81-8625	6-32x1/4 Ground Screw	(1)
35	28-17-0400	Clamp Strap	(2)
36	06-81-6152	8-32x1/2 Fil. Hd. Sems	(2)
37	22-64-0245	Cord Set	(1)
38	28-20-3061	Handle Cover	(1)
39	06-81-3700	8-32x7/8 Oval Hd. Screw	(4)
40	23-44-0060	Brush Retaining Screw	(2)
41	22-18-0155	Carbon Brush	(2)
42	23-86-0105	Fiber Washer	(2)
43	22-22-1271	Brush Holder Assembly	(2)
44	06-81-5950	6-32x1-7/8 Fil. Hd. Sems	(2)
45	06-83-2430	10-32x1/4 Hdls. Set Screw	(2)

MISCELLANEOUS PARTS NOT SHOWN

12-98-7082	Caution Plate
22-90-0050	Rubber Grommet
49-11-0050	Feeler Gauge
49-96-0060	1/8 Socket Wrench
49-96-0065	9/64 Socket Wrench
12-98-7086	Instruction Plate