



SERVICE PARTS LIST

BULLETIN NO.
54-44-0625

SPECIFY CATALOG NO. AND SERIAL NO. WHEN ORDERING PARTS		REVISED BULLETIN	DATE
14 GAUGE SHEAR		54-44-0624	April 2008
CATALOG NO. 6815	STARTING SERIAL NO. 710C	WIRING INSTRUCTION 58-01-0309	

EXAMPLE:

00	0
----	---

 Component Parts (Small #)
 Are Included When Ordering
 The Assembly (Large #).

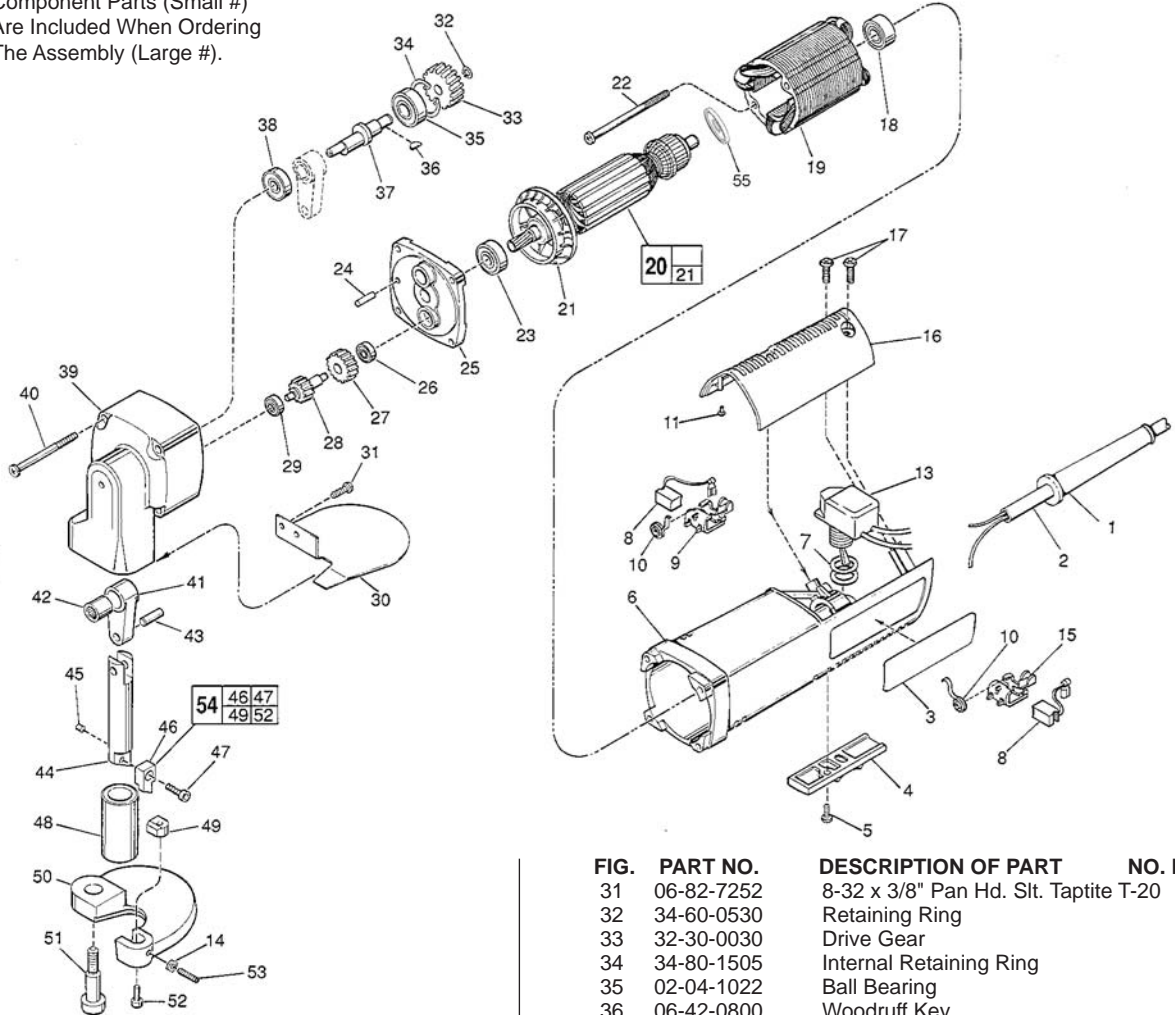


FIG.	PART NO.	DESCRIPTION OF PART	NO. REQ.
	1	Cord Protector	(1)
	2	Cord Set	(1)
	3	Service Nameplate Kit	(1)
	4	Trigger Cover	(1)
	5	8-16 x 1/2" Pan Hd. Slit. Plastite T-20	(1)
★	6	Motor Housing	(1)
★	7	O-Ring	(2)
	8	Carbon Brush Assembly	(2)
	9	Right Brush Holder	(1)
	10	Brush Spring	(2)
	11	Rubber Bumper	(2)
	13	Switch	(1)
	14	8-32 Hex Nut	(1)
	15	Left Brush Holder	(1)
	16	Cover	(1)
	17	8-16 x 5/8" Plastite T-20 Screw	(3)
	18	Ball Bearing	(1)
	19	120 V. Field	(1)
	20	120 V. Armature	(1)
	21	Fan	(1)
	22	8-16 x 2-1/2" Plastite T-20 Screw	(2)
	23	Ball Bearing	(1)
	24	1/8 x 1/2 Groove Pin No. 5	(1)
	25	Diaphragm	(1)
	26	Ball Bearing	(1)
	27	Intermediate Gear	(1)
	28	Intermediate Pinion Shaft	(1)
	29	Ball Bearing	(1)
	30	Guard	(1)

FIG.	PART NO.	DESCRIPTION OF PART	NO. REQ.
	31	8-32 x 3/8" Pan Hd. Slit. Taptite T-20	(2)
	32	Retaining Ring	(1)
	33	Drive Gear	(1)
	34	Internal Retaining Ring	(1)
	35	Ball Bearing	(1)
	36	Woodruff Key	(1)
	37	Eccentric Shaft	(1)
	38	Ball Bearing	(1)
	39	Gear Case	(1)
★	40	7-18 x 2" Plastite T-20 Screw	(4)
	41	Connecting Rod	(1)
	42	Needle Bearing	(1)
	43	Dowel Pin	(1)
	44	Spindle	(1)
	45	Felt Oiler	(1)
	46	Top Shear Blade	(1)
	47	8-32 x 5/16" Skt. Hd. Screw	(1)
	48	Spindle Bushing	(1)
	49	Bottom Shear Blade	(1)
	50	Yoke	(1)
	51	Shoulder Screw	(1)
	52	8-32 x 3/8" Skt. Hd. Screw	(1)
	53	8-32 x 1/2" Skt. Hd. Set Screw	(1)
	54	Shear Blade Kit	(1)
★	55	Commutator Insulator	(1)
		Feeler Gauge	(1)
		5/64" Socket Wrench	(1)
		9/64" Socket Wrench	(1)

FIG. LUBRICATION
 39 3/4 Oz. Type "G" Grease, No. 49-08-4140.
 44/48 Coat Spindle with Type "G" Grease Before
 Assembly with Spindle Bushing.