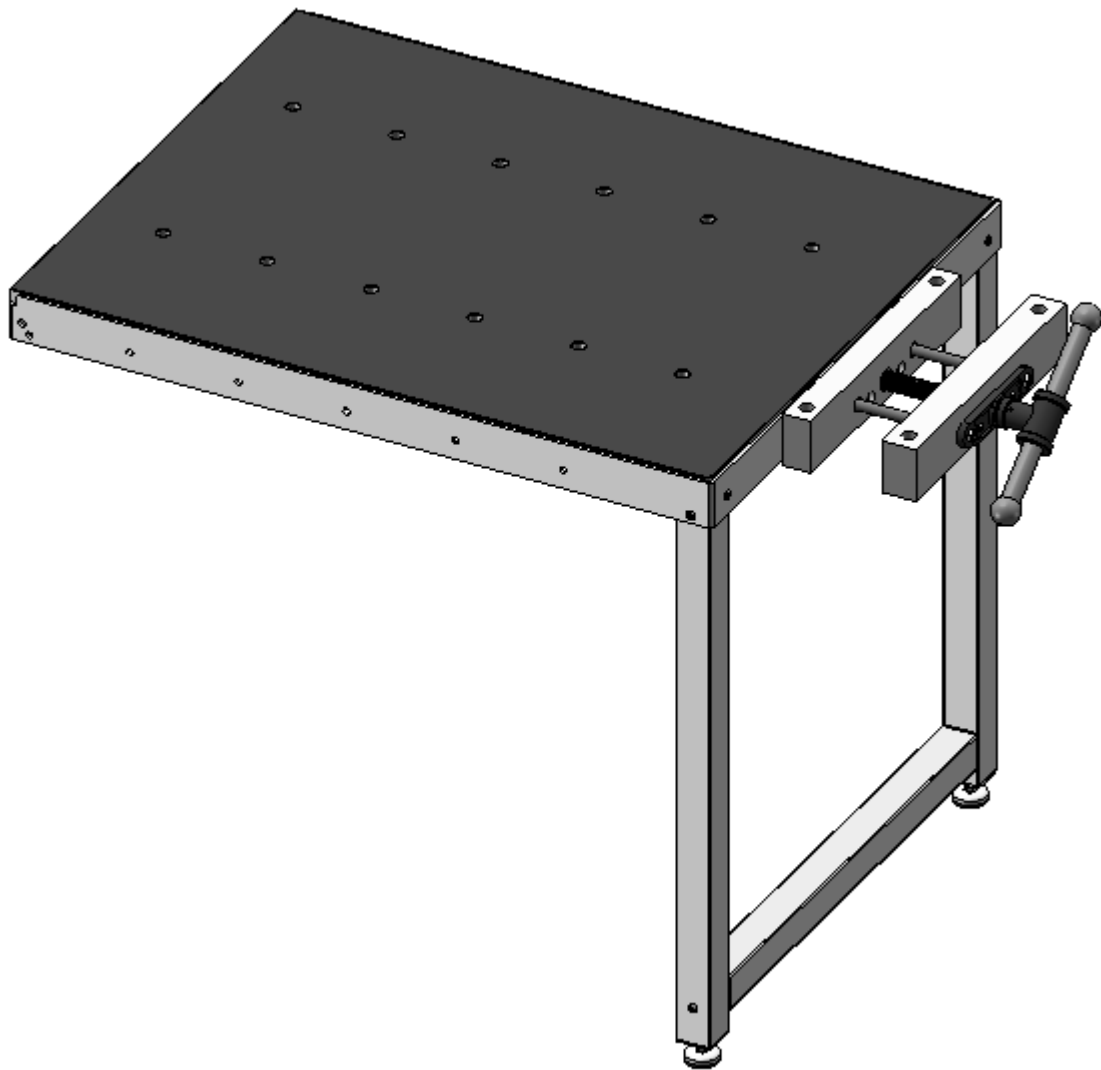


POWERMATIC®

Instructions for 6827045B Accessory Workbench Table

The Powermatic *Workbench Table* is an optional accessory intended for use with the Powermatic PM2000 Table Saw. It requires minor assembly and will bolt to the rails of the table saw with no drilling needed.

Read carefully the instructions on the following pages for assembly and adjustment procedures.



Powermatic
427 New Sanford Road
LaVergne, Tennessee 37086
Ph.: 800-274-6848
www.powermatic.com

Part No. M-6827045B
Revision B 02/2014
Copyright © 2014 Powermatic

Parts List: PM2000 Accessory Workbench Table

(Refer to breakdown on page 7)

Index No.	Part No.	Description	Size	Qty
	6827045B	Workbench Table (complete assembly)		
	6827045B-SFA	Steel Frame Assembly (index #1,17,19,21)		1
1	6827045B-1	Steel Frame		1
2	6827045B-2	Table Board		1
3	6827045B-3	Leg		2
4	6827045B-4	Cross Brace		1
5	6827045B-5	Adjustable Foot		2
6	6827045B-6	Vise Face-1		1
7	6827045B-7	Vise Face-2		1
	6827045B-VA	Vise Assembly (index # 8,9,10,11,13,14,22)		1
8	6827045B-8	Spindle		1
9	6827045B-9	Guide Bar		2
10	6827045B-10	Face Bracket		1
11	TS-1540071	Hex Nut	M10-1.5P	2
12	6827045B-12	Wood Screw	M5x30L	2
13	6827045B-13	Pin	6mm*32L	1
14	6827045B-14	Handle Hub		1
15	6827045B-15	Vise Handle Shaft		1
16	6827045B-16	Vise Handle Cap		2
17	6827045B-17	Mounting Bracket		1
18	6827045B-18	Wood Screw	M3x16L	2
19	TS-0680031	Flat Washer	5/16"	6
20	TS-0561021	Hex Nut	5/16"-18	4
21	TS-0208041	Socket Head Cap Screw	5/16"-18x3/4"L	2
22	TS-2360181	Flat Washer	M18	1
23	6827045B-23	Socket Head Cap Screw	5/16"-18x2"L	2
24	6827045B-24	Serrated Flange Nut	5/16"-18	4
25	6827045B-25	Socket Head Button Screw	5/16"-18x2-1/2"L	6
26	6827045B-26	Wood Screw	M5x16L	9
27	6827045B-27	Shim		8

Ordering Replacement Parts

To order parts or reach our service department, call 800-274-6848 Monday through Friday (see our website at www.powermatic.com for business hours). Have the Model Number and Serial Number of your machine available when you call to allow us to serve you quickly and accurately.

Parts Breakdown: PM2000 Accessory Workbench Table

