

SERVICE PARTS LIST

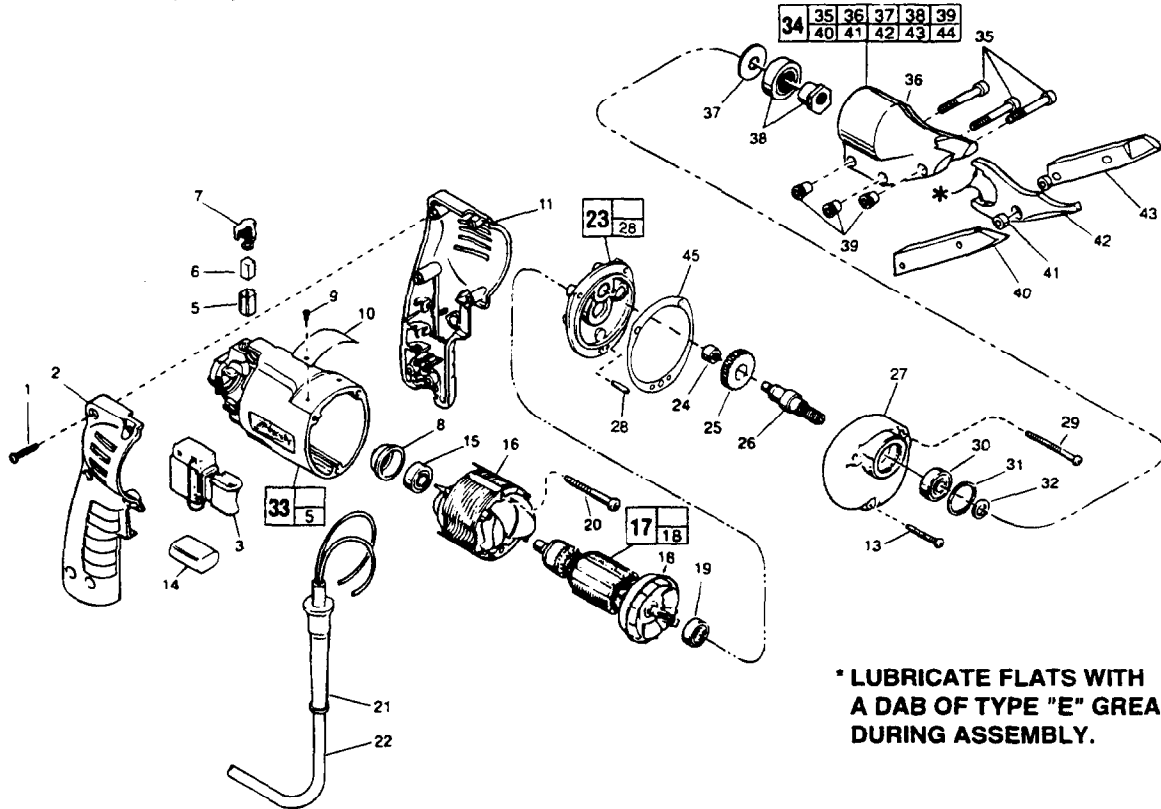
BULLETIN NO.
55-44-0508

SPECIFY CATALOG NO. AND SERIAL NO. WHEN ORDERING PARTS		REVISED BULLETIN	DATE
18 GAUGE SWIVEL HEAD SHEAR		55-44-0507	May '96
CATALOG NO. 6850-4	STARTING SERIAL NO. 550C	WIRING INSTRUCTION 58-03-0024	

EXAMPLE:



Component Parts (Small #)
Are Included When Ordering
The Assembly (Large #).



*** LUBRICATE FLATS WITH
A DAB OF TYPE "E" GREASE
DURING ASSEMBLY.**

FIG.	PART NO.	DESCRIPTION OF PART	NO. REQ.
1	06-82-7284	8-16 x 3/4" Pan Hd. Sit. Plas. T-20	(6)
2	31-44-1745	Right Handle Half	(1)
3	23-66-2105	Speed Control Switch	(1)
5	22-20-0830	Brush Tube	(2)
6	22-16-0375	Carbon Brush	(2)
7	23-52-1570	Brush Spring Assembly	(2)
8	22-72-0100	Bearing Cup	(1)
9	06-72-1720	Nameplate Rivet	(2)
10	12-99-0570	Service Nameplate	(1)
11	31-44-1740	Left Handle Half	(1)
13	06-82-7308	7-18 x 1-1/8" Pan Hd. Sit. Plast. T-20	(1)
14	14-20-0530	Capacitor Assembly	(1)
15	02-04-0645	Ball Bearing	(1)
16	18-12-0160	Field	(1)
17	16-16-0440	Armature	(1)
18	22-84-0760	Fan Assembly	(1)
19	02-04-0847	Ball Bearing	(1)
20	06-82-7393	7-18 x 2" Pan Hd. Sit. Plast. T-20	(2)
21	44-76-0210	Cord Protector	(1)
22	22-64-4480	Cord Set	(1)
★ 23	14-13-0525	Diaphragm Assembly	(1)
24	02-50-1620	Needle Bearing	(1)
25	32-75-3260	Spindle Gear	(1)
26	38-50-5671	Reversing Spindle	(1)
★ 27	28-14-1840	Gear Case	(1)
★ 28	06-65-0880	Ground Pin	(1)

FIG.	PART NO.	DESCRIPTION OF PART	NO. REQ.
29	06-82-7344	7-18 x 1-1/2" Pan Hd. Sit. Plast. T-20	(2)
30	02-04-1020	Ball Bearing	(1)
31	34-80-1400	Retaining Ring	(1)
32	45-88-7940	Washer	(1)
33	14-38-0591	Motor Housing Assembly	(1)
34	48-08-0500	Shear Head Assy. (Includes Fig. Nos. 35 thru 44)	(1)
35	06-75-2115	10-24 x 1-1/4 Skt. Hd. Cap Screw	(3)
36	43-76-0400	Shear Housing	(1)
37	45-88-7310	Washer	(1)
38	43-16-0100	Eccentric Assembly	(1)
39	43-84-0460	Knurled Insert	(3)
40	48-44-0170	Blade - Right Side	(1)
41	42-40-0520	Bushing	(2)
42	48-44-0150	Blade - Center	(1)
43	48-44-0160	Blade - Left Side	(1)
44	49-96-0070	5/32 Hex Allen Wrench (Not Shown)	(1)
★ 45	43-44-0925	Gasket	(1)

FIG. LUBRICATION
27 Use 1-1/8 Oz. of Type "E" Grease, No. 49-08-4122, in Gear Case.

FIG. NOTES
1 Torque to 18-28 In./Lbs.
13,20,29 Torque to 15-20 In./Lbs.
8 Place in motor housing before inserting armature.
24 Press flush to casting surface.
15,19 Seal towards armature.
30 Seal towards retaining ring.

MILWAUKEE ELECTRIC TOOL CORPORATION
13135 W. LISBON RD., BROOKFIELD, WI 53005