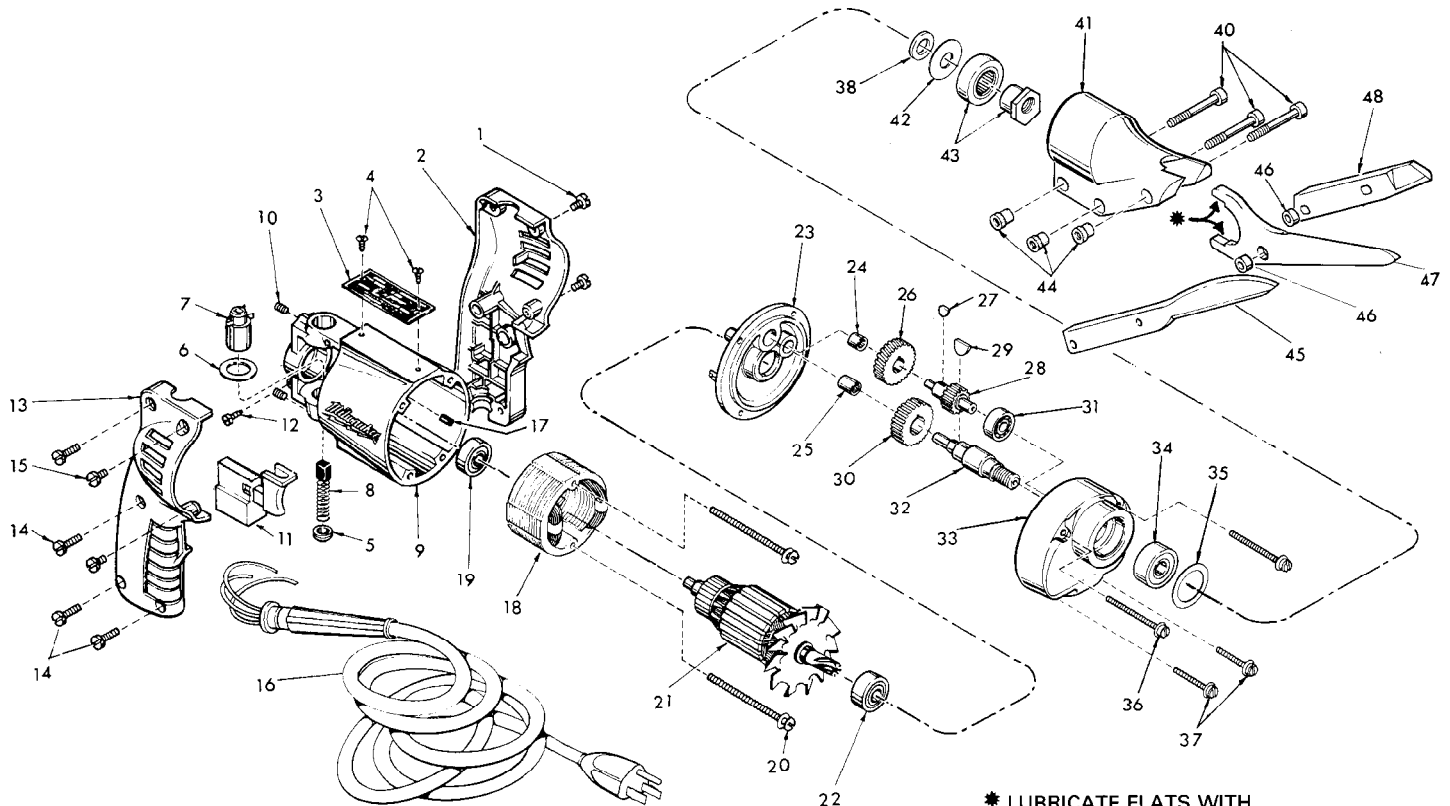




SERVICE PARTS LIST

BULLETIN NO.
54-44-0600

SPECIFY CATALOG NO. AND SERIAL NO. WHEN ORDERING PARTS		REVISED BULLETIN	DATE
SCISSOR HEAD SHEAR			Sept. '86
CATALOG NO. 6860	STARTING SERIAL NO. 673-1001	WIRING INSTRUCTION 58-01-0648	
CAT. NO. 6860-6	START SER. NO. 673-1001	BILINGUAL LABEL 10-98-6120	



* LUBRICATE FLATS WITH
A DAB OF TYPE "E" GREASE
DURING ASSEMBLY

FIG.	PART NO.	DESCRIPTION OF PART	NO. REQ.
1	06-95-0209	8-32 x 3/8 Taptite Screw	(2)
2	31-44-1355	L.H. Handle Half	(1)
3	12-99-0027	Nameplate Blank	(1)
4	06-85-0200	Nameplate Screw	(2)
5	23-44-0020	Brush Retaining Cap	(2)
6	23-86-0105	Insulating Washer	(2)
7	22-22-1251	Brush Holder Assy.	(2)
8	22-18-0362	Carbon Brush Assy.	(2)
9	28-50-6096	Motor Housing (Incl. Fig. No. 17)	(1)
10	06-83-2430	10-32x1/4 Soc. Hd. Set Screw	(2)
11	23-66-0515	Switch	(1)
12	06-81-8625	Ground Screw	(1)
13	31-44-1360	R.H. Handle Half	(1)
14	06-95-0220	8-18x3/4 Thread Form Screw	(4)
15	06-95-0209	8-18 x 3/8 Taptite Screw	(2)
16	22-64-0665	Cord Set	(1)
17	45-30-0120	Ball Bearing Ret. Slug	(1)
18	18-10-0050	Field	(1)
19	02-04-0740	Ball Bearing	(1)
20	06-81-5935	6-32x1-3/4 Fil. Hd. Sem	(2)
21	16-10-0315	Armature Assy.	(1)
22	02-04-0880	Ball Bearing	(1)
23	28-28-0221	Diaphragm	(1)
24	02-50-1210	Needle Bearing	(1)
25	02-50-1640	Needle Bearing	(1)
26	32-40-1041	Intermediate Gear	(1)

FIG.	PART NO.	DESCRIPTION OF PART	NO. REQ.
27	06-42-0400	Woodruff Key	(1)
28	36-66-1601	Intermediate Pinion Shaft	(1)
29	06-42-0800	Woodruff Key	(1)
30	32-75-1461	Spindle Gear	(1)
31	02-04-0640	Ball Bearing	(1)
32	38-50-1051	Spindle	(1)
33	28-14-0363	Gear Case	(1)
34	02-04-1020	Ball Bearing	(1)
35	34-80-1400	Retaining Ring	(1)
36	06-81-6575	8-32x1-5/8 Fil. Hd. Sems	(2)
37	06-81-6350	8-32x1 Fil. Hd. Sems	(2)
38	45-88-0080	Washer	(2)
39	48-08-0525	Shear Head Assy. (Includes Fig. Nos. 40 thru 49)	(1)
40	06-75-2115	10-24x1-1/4 Skt. Hd. Cap Screw	(3)
41	43-76-0400	Shear Housing	(1)
42	45-88-7310	Washer	(1)
43	43-16-0100	Eccentric Assembly	(1)
44	43-84-0460	Knurled Insert	(3)
45	48-44-0190	Stationary Scissor Blade	(1)
46	42-40-0520	Bushing	(2)
47	48-44-0180	Movable Scissor Blade	(1)
48	45-36-1115	Side Spacer	(1)
49	49-96-0070	5/32 Hex Allen Wrench	(1)
50	12-98-7082	Caution Label (Not Shown)	(1)