



SERVICE PARTS LIST

BULLETIN NO.
54-27-0654

SPECIFY CATALOG NO. AND SERIAL NO. WHEN ORDERING PARTS		REVISED BULLETIN 54-27-0653	DATE June 2007
10 GAUGE NIBBLER			
CATALOG NO.	6880	STARTING SERIAL NO.	630C
		WIRING INSTRUCTION 58-01-0309	

EXAMPLE:
Component Parts
(Small #) Are Included
When Ordering The
Assembly (Large #).

00
0

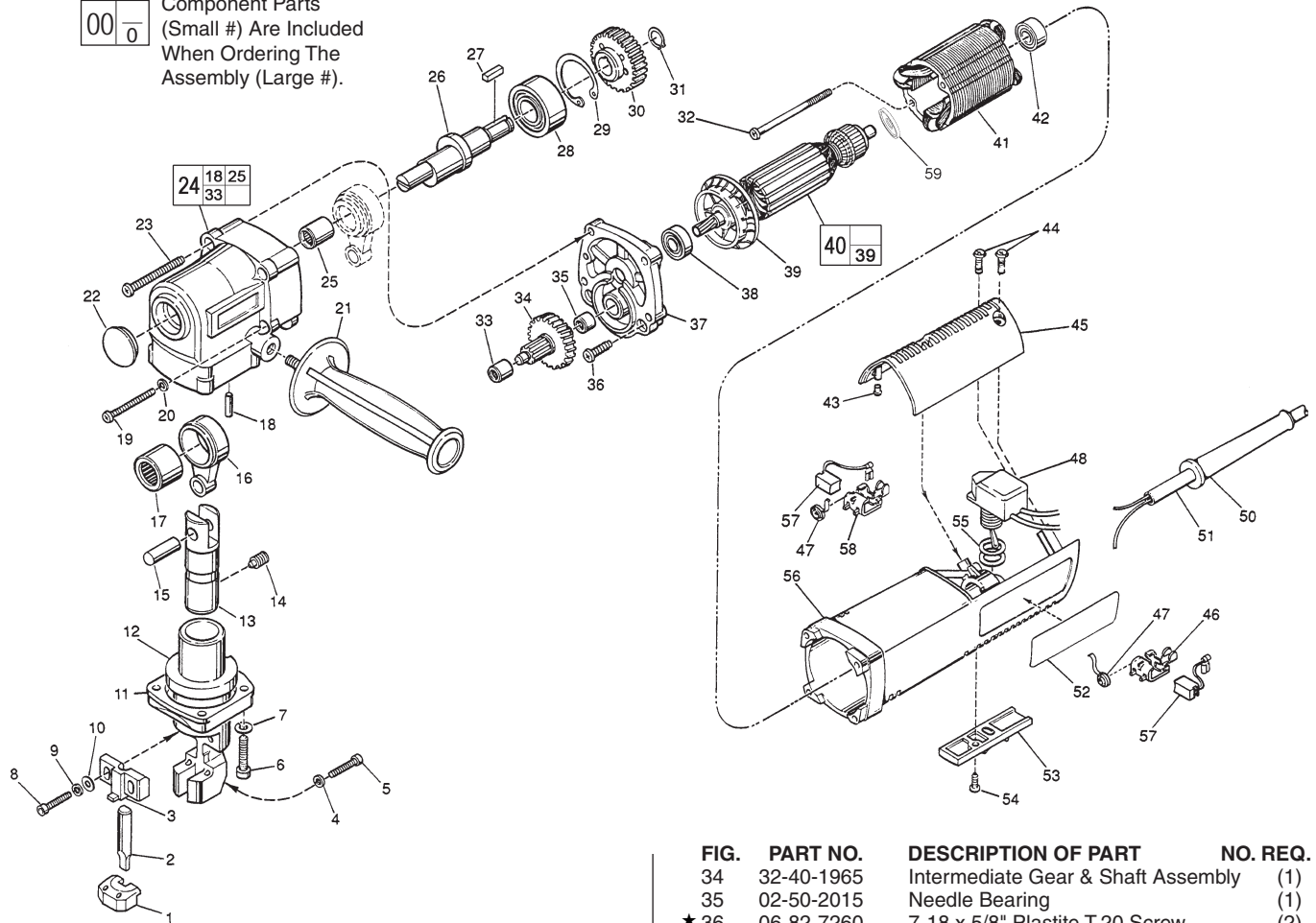


FIG.	PART NO.	DESCRIPTION OF PART	NO. REQ.
	1	48-44-0275 Die	(1)
	2	48-44-0265 Punch	(1)
	3	43-56-0400 Punch Guide	(1)
	4	05-90-0105 Lockwasher	(2)
	5	05-74-0520 M5x.8x20 Socket Hd. Cap Screw	(2)
	6	05-74-0625 Socket Hd. Cap Screw	(4)
	7	05-90-0106 Lockwasher	(4)
	8	05-74-0520 M5x.8x20 Socket Hd. Cap Screw	(2)
	9	05-90-0105 Lockwasher	(2)
	10	45-88-7945 Flat Washer	(2)
	11	44-86-0455 Retainer	(1)
	12	43-72-0155 Die Holder Assembly	(1)
	13	44-62-0175 Piston	(1)
	14	05-86-0818 M8 x 18 Socket Set Screw	(1)
	15	06-65-1320 Dowel Pin	(1)
	16	44-94-0215 Connecting Rod	(1)
	17	02-50-4840 Needle Bearing	(1)
	18	44-60-0910 Locating Pin	(1)
	19	05-74-0541 M5 x 40 Phillips Mach. Screw	(2)
	20	05-90-0105 Lockwasher	(2)
★	21	43-62-1265 Side Handle	(1)
	22	42-53-0090 Cap	(1)
★	23	06-82-7393 7-18 x 2" Pan Hd. T-20 Screw	(2)
	24	28-14-1865 Gear Case	(1)
	25	02-50-3240 Needle Bearing	(1)
	26	43-16-0195 Eccentric Shaft	(1)
	27	43-96-0145 Square Key M5 x 12	(1)
	28	02-20-1800 Ball Bearing	(1)
	29	34-80-0205 Internal Retaining Ring	(1)
	30	32-30-0055 Drive Gear	(1)
	31	34-60-2360 Snap Ring	(1)
	32	06-82-7375 8-16 x 2-1/2" Plastite T-20 Screw	(2)
	33	02-50-2016 Needle Bearing	(1)

FIG.	PART NO.	DESCRIPTION OF PART	NO. REQ.
	34	32-40-1965 Intermediate Gear & Shaft Assembly	(1)
	35	02-50-2015 Needle Bearing	(1)
★	36	06-82-7260 7-18 x 5/8" Plastite T-20 Screw	(2)
	37	28-28-1795 Diaphragm	(1)
	38	02-08-0375 Ball Bearing	(1)
	39	22-84-0680 Fan	(1)
	40	16-07-0090 120 Volt Armature	(1)
	41	18-07-0055 120 Volt Field	(1)
★	42	02-04-0851 Ball Bearing	(1)
	43	42-38-0181 Rubber Bumper	(2)
	44	06-82-7270 8-16 x 5/8" Plastite T-20 Screw	(3)
	45	31-15-0143 Cover	(1)
	46	22-20-0691 Left Brush Holder	(1)
	47	23-52-0240 Brush Spring	(2)
	48	23-66-2190 Switch	(1)
	50	44-76-0130 Cord Protector	(1)
	51	22-64-0215 Cord Set	(1)
	52	12-20-0580 Service Nameplate Kit	(1)
	53	31-55-0156 Trigger Cover	(1)
	54	06-82-7409 8-16 x 1/2" Plastite T-20 Screw	(1)
★	55	34-40-4015 O-Ring	(2)
★	56	31-50-0426 Motor Housing	(1)
	57	22-18-0710 Carbon Brush Assembly	(2)
	58	22-20-0692 Right Brush Holder	(1)
★	59	23-16-1670 Commutator Insulator	(1)
		49-96-0350 4MM Allen Wrench	(1)
		10-98-6470 Milwaukee Label	(2)

FIG. NOTES
9,23,36 Torque to 20-25 in./lbs.

FIG. LUBRICATION
24 3/4 Oz. Type "G" Grease, No. 49-08-4140.

MILWAUKEE ELECTRIC TOOL CORPORATION
13135 W. LISBON RD., BROOKFIELD, WI 53005
Drwg. 3