



Operating Instructions and Parts Manual

Variable Speed Turret Mill

Model JTM-4VS

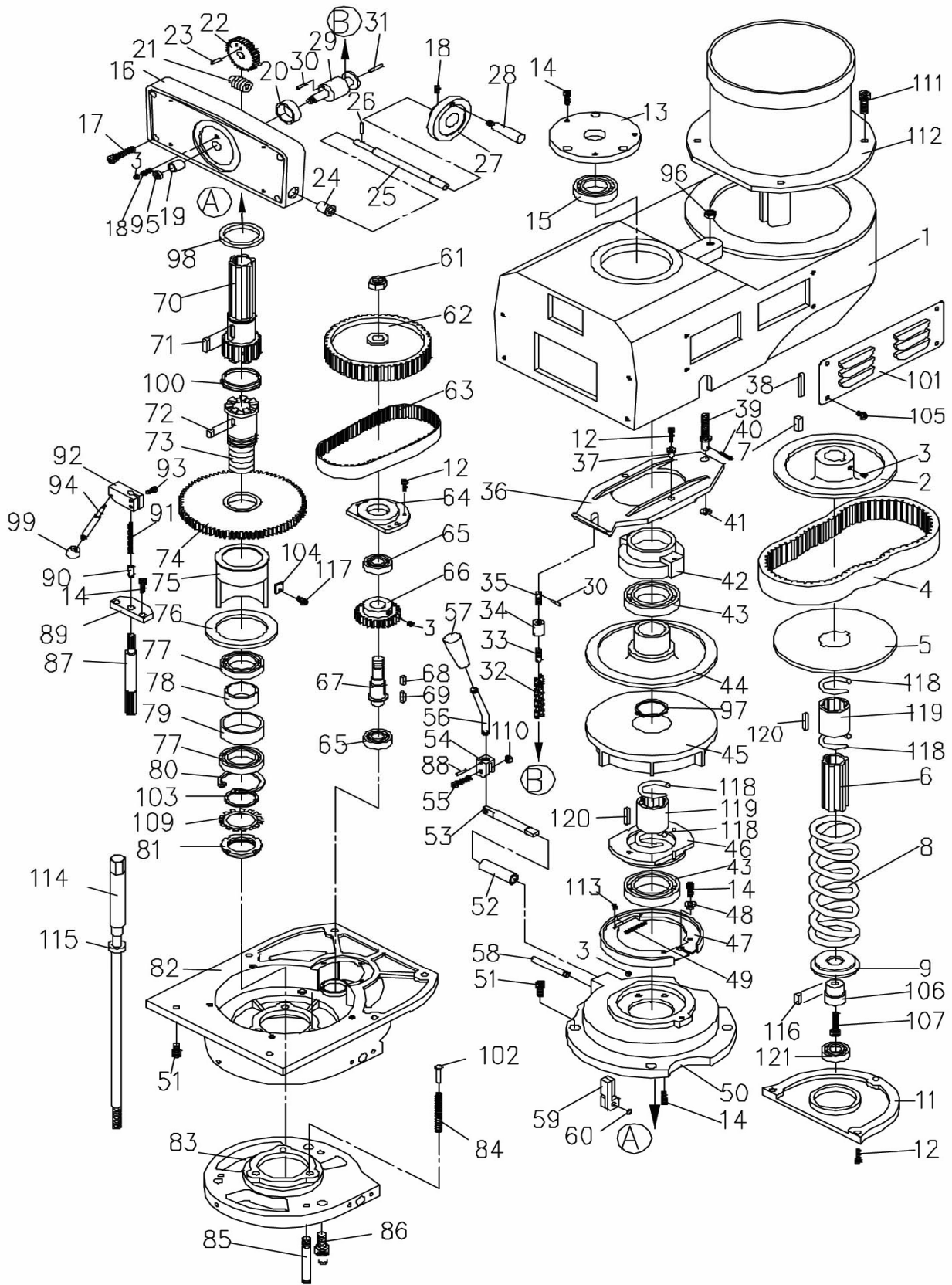


JET

427 New Sanford Road
LaVergne, Tennessee 37086
Ph.: 800-274-6848
www.jettools.com

Part No. M-690182
Revision J1 10/2018
Copyright © 2018 JET

Head Assembly



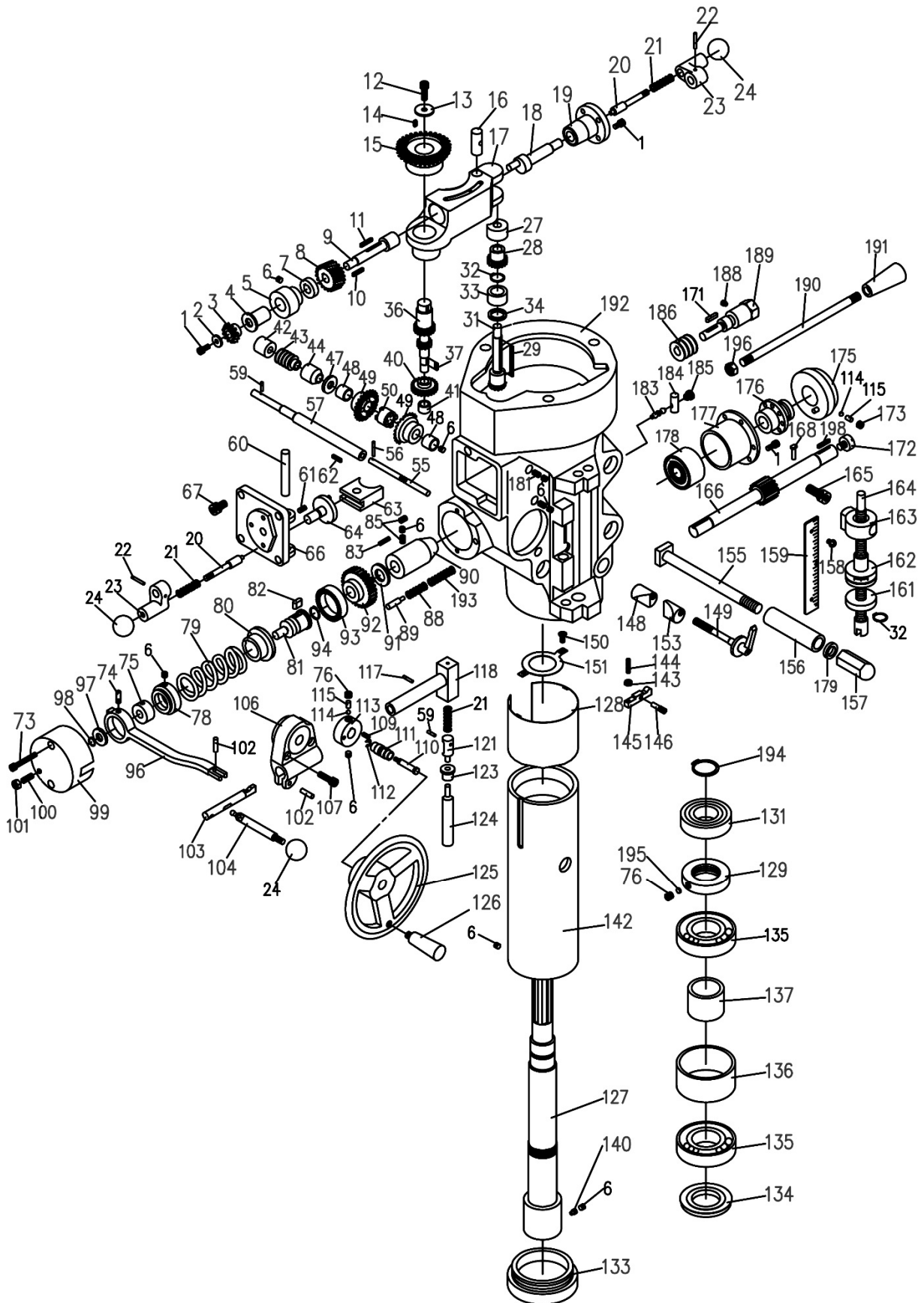
Parts List for Head Assembly

| Index No. | Part No. | Description | Size | Qty |
|-----------|----------------|---|---------------|-----|
| | JTM4VS-HAG | Head Assembly with Motor | | 1 |
| | JTM4VS-HAWOM-G | Head Assembly without Motor | | 1 |
| 1 | VS-001G | Upper Housing | | 1 |
| 2 | VS-002 | Motor Pulley | | 1 |
| | VS-044A | Motor Pulley Bushing (not shown) | | 1 |
| 3 | TS-1503011 | Set Screw | M6 x 6 | 4 |
| 4 | VS-004 | Belt | 900VC3830 | 1 |
| 5 | VS-005 | Motor Pulley Disk | | 1 |
| 6 | VS-006 | Motor Pulley Shaft | | 1 |
| 7 | KEY7725 | Key | 7 x 7 x 25 mm | 1 |
| 8 | VS-008 | Motor Pulley Spring | | 1 |
| 9 | VS-009 | Spring Stop Washer | | 1 |
| 11 | VS-011AG | Motor Pulley Cover | | 1 |
| 12 | TS-1502051 | Hex Socket Cap Screw | M5 x 20 | 8 |
| 13 | VS-013 | Cover | | 1 |
| 14 | TS-1503041 | Hex Socket Cap Screw | M6 x 16 | 10 |
| 15 | BB-6007ZZ | Ball Bearing | | 1 |
| 16 | VS-016G | Dial Cover | | 1 |
| 16-1 | VS-016-1 | Dial With Panel Assembly (not shown) | | 1 |
| 17 | TS-1503071 | Hex Socket Cap Screw | M6 x 30 | 4 |
| 18 | TS-1503041 | Hex Socket Cap Screw | M6 x 16 | 2 |
| 19 | VS-019 | Bushing | | 1 |
| 20 | VS-020 | Bushing | | 1 |
| 21 | VS-021 | Worm | | 1 |
| 22 | VS-022 | Worm Gear | | 1 |
| 23 | VS-023 | Spring Pin | 5 x 10 mm | 2 |
| 24 | VS-024 | Bushing | | 2 |
| 25 | VS-025 | Dial Control Shaft | | 1 |
| 26 | VS-026 | Spring Pin | 3 x 12 mm | 1 |
| 27 | VS-027 | Dial Wheel | | 1 |
| 28 | VS-028 | Wheel Handle | | 1 |
| 29 | VS-029 | Shaft | | 1 |
| 30 | VS-030 | Spring Pin | 4 x 16 mm | 2 |
| 31 | VS-031 | Spring Pin | 3 x 25 mm | 1 |
| 32 | VS-032 | Speed Change Chain | | 1 |
| 33 | VS-033 | Adjustment Stud | | 1 |
| 34 | VS-034 | Sleeve Nut | | 1 |
| 35 | VS-035 | Adjustment Stud | | 1 |
| 36 | VS-036 | Tilter | | 1 |
| 37 | VS-037 | Bushing | | 2 |
| 38 | KEY6645 | Key | 6 x 6 x 45 mm | 1 |
| 39 | VS-039 | Regulating Screw | | 1 |
| 40 | VS-040 | Spring Pin | 3/32" x 3/4" | 1 |
| 41 | VS-041 | Washer | | 1 |
| 42 | VS-042 | Support | | 1 |
| 43 | BB-6010VV | Ball Bearing | | 2 |
| 44 | VS-044 | Driven Pulley Assembly (s/n:xxx1944 & lower) | | 1 |
| | VS-044N | Driven Pulley Assembly (s/n:xxx1945 & higher) | | 1 |
| 45 | VS-045 | Steady Pulley (s/n:xxx1944 & lower) | | 1 |
| | VS-045N | Steady Pulley (s/n:xxx1945 & higher) | | 1 |
| 46 | VS-046 | Bearing Cover | | 1 |
| 47 | VS-047 | Brake Lining | | 1 |
| 48 | VS-048 | Lock Screw | | 1 |
| 49 | VS-049 | Brake Spring | | 2 |
| 50 | VS-050G | Lower Housing Cover | | 1 |
| 51 | TS-1504031 | Hex Socket Cap Screw | M8 x 20 | 4 |
| 52 | VS-052 | Brake Shaft Sleeve | | 1 |

| Index No. | Part No. | Description | Size | Qty |
|-----------|-------------|-------------------------|---------------|-----|
| 53 | VS-053 | Brake Lock Shaft | | 1 |
| 54 | VS-054 | Brake Lock Block | | 1 |
| 55 | TS-1503061 | Hex Socket Cap Screw | M6 x 25 | 1 |
| 56 | VS-056 | Brake Lock Handle | | 1 |
| 57 | VS-057 | Plastic Ball | | 2 |
| 58 | VS-058 | Brake Finger Pivot Stud | | 1 |
| 59 | VS-059 | Brake Stud | | 2 |
| 60 | VS-060 | Snap Ring | S-8 | 2 |
| 61 | TS-0561072 | Nut | 5/8"-18 UNF | 1 |
| 62 | VS-062 | Timing Belt Pulley | | 1 |
| 63 | VB-225L100 | Timing Belt | 225L100 | 1 |
| 64 | VS-064 | Bearing Retainer | | 1 |
| 65 | BB-6203ZZ | Ball Bearing | | 2 |
| 66 | VS-066 | Bull Gear | | 1 |
| 67 | VS-067 | Counter Shaft | | 1 |
| 68 | VS-068 | Key | 5 x 5 x 15 mm | 1 |
| 69 | VS-069 | Key | 5 x 5 x 18 mm | 1 |
| 70 | VS-070 | Spindle Pulley Hub | | 1 |
| 71 | VS-071 | Key | 8 x 7 x 24 mm | 1 |
| 72 | VS-072 | Key | 8 x 7 x 12 mm | 1 |
| 73 | VS-073 | Spindle Gear Hub | | 1 |
| 74 | VS-074 | Spindle Gear Assembly | | 1 |
| 75 | VS-075 | Rack Cup | | 1 |
| 76 | VS-076 | Washer | | 1 |
| 77 | BB-6908ZZ | Ball Bearing | | 2 |
| 78 | VS-078 | Bearing Washer | | 1 |
| 79 | VS-079 | Bearing Washer | | 1 |
| 80 | VS-080 | Snap Ring | | 1 |
| 81 | VS-081 | Nut | | 1 |
| 82 | VS-082G | Lower Housing | | 1 |
| 83 | VS-083G | Fixed Clutch Bracket | | 1 |
| 84 | VS-084 | Spring | | 1 |
| 85 | VS-085 | Stud | | 3 |
| 86 | TS-1506021 | Hex Socket Cap Screw | M12 x 25 | 3 |
| 87 | VS-087 | Gear Shift Pinion | | 1 |
| 88 | VS-088 | Pin | | 1 |
| 89 | VS-089 | Detent Plate | | 1 |
| 90 | VS-090 | Detent Washer | | 1 |
| 91 | VS-091 | Spring | | 1 |
| 92 | VS-092 | Pinion Block | | 1 |
| 93 | TS-1503011 | Hex Socket Cap Screw | M5 x 14 | 2 |
| 94 | VS-094 | Pinion Crank | | 1 |
| 95 | VS-095 | Cap Nut | | 1 |
| 96 | TS-0561031 | Hex Nut | 3/8" | 1 |
| 97 | VS-097 | Snap Ring | | 1 |
| 98 | VS-098 | Wave Washer | | 1 |
| 99 | VS-099 | Plastic Ball | | 1 |
| 100 | VS-100 | Snap Ring | | 1 |
| 101 | VS-101B | Cover | | 2 |
| 102 | VS-102 | Spring Shaft | | 3 |
| 103 | VS-103 | Washer | | 1 |
| 104 | VS-104 | Copper Washer | | 2 |
| 105 | VS-105 | Screw | 1/4" x 3/8" | 8 |
| 106 | VS-107 | Shaft | | 1 |
| 107 | TS-1504061 | Hex Socket Cap Screw | M8 x 30 | 1 |
| 109 | VS-109 | Lock Washer | | 1 |
| 110 | TS-1540041 | Hex Nut | M6 | 1 |
| 111 | TS-0209051 | Hex Socket Cap Screw | 3/8" x 1" | 4 |
| 112 | VS-000G | Motor | 3HP 3PH | 1 |
| | JTM4VS-112G | Motor | 2HP 1PH | 1 |

| Index No. | Part No. | Description | Size | Qty |
|-----------|--------------|---|---------------|-----|
| 113 | VS-113 | Oval Head Screw | 1/8" x 1/4" | 4 |
| 114 | JTM1-001VS | Draw Bar | | 1 |
| 115 | JTM4VS-A002B | Draw Bar Washer | | 1 |
| 116 | VS-116 | Key | | 1 |
| 117 | VS-117 | Oval Head Screw | 3/16" x 1/2" | 1 |
| 118 | VS-007 | Snap Ring | | 4 |
| 119 | VS-005A | Plastic Sleeve | | 2 |
| 120 | VS-120 | Key | 6 x 4 x 32 mm | 2 |
| 121 | BB-6206ZZ | Ball Bearing | 6206ZZ | 1 |
| | VS-000A | Forward-Reverse Switch, 3 Phase (not shown) | | 1 |
| | JTM2-598CP | Forward-Reverse Switch, 1 Phase (not shown) | | 1 |
| | JTM1-598D | Switch Box (not shown) | | 1 |
| | JTM1-598B | Switch Knob (not shown) | | 1 |
| | LK-041B | Switch Bracket (not shown) | | 1 |

Spindle Assembly



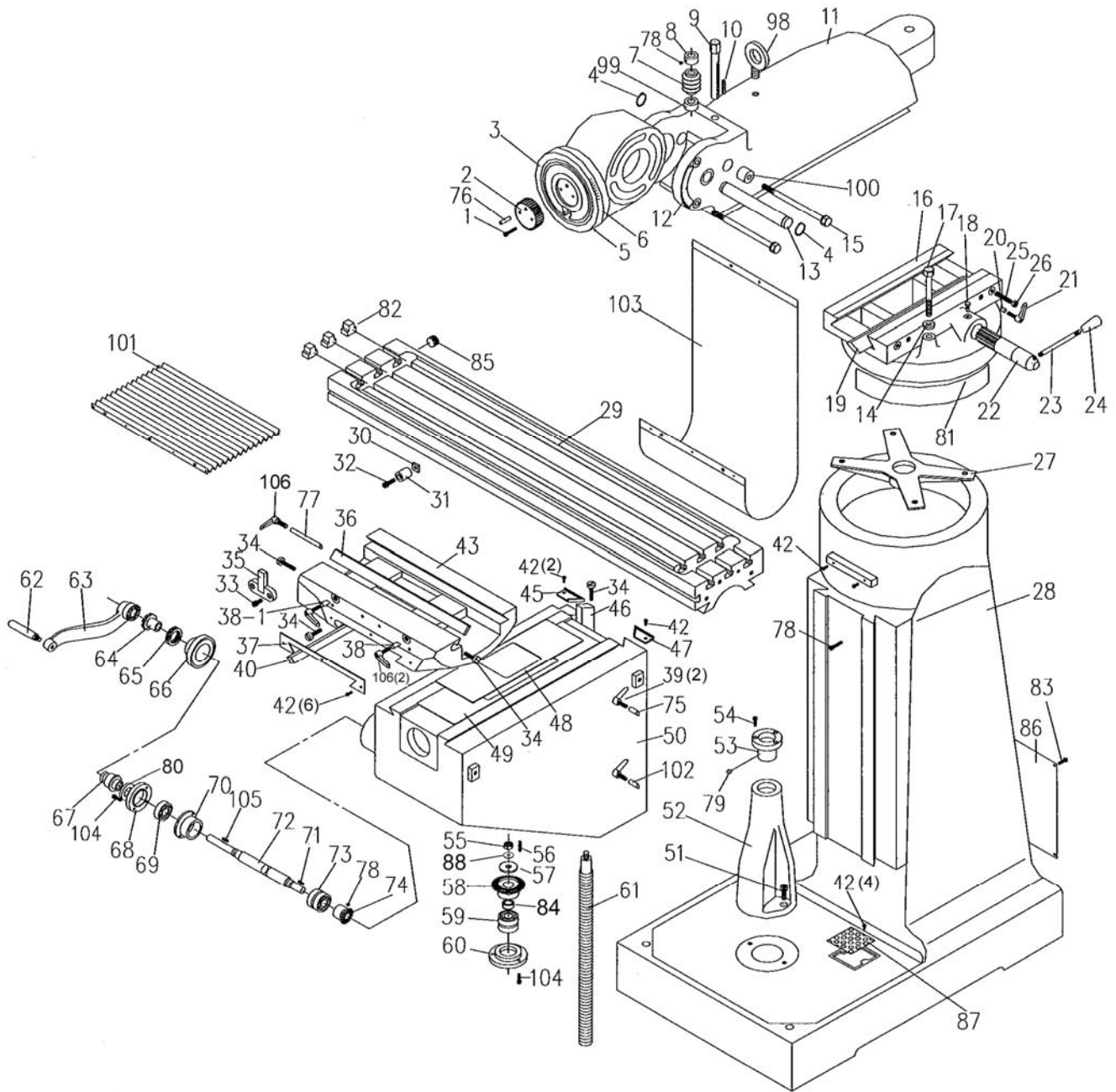
Parts List for Spindle Assembly

| Index No. | Part No. | Description | Size | Qty |
|-----------|------------|--------------------------|----------------|-----|
| 1 | TS-1533042 | Screw | M5 x 10 | 6 |
| 2 | HA-002 | Bevel Pinion Washer | | 1 |
| 3 | HA-003 | Feed Gear | | 1 |
| 4 | LA-161 | Shaft Sleeve | | 1 |
| 5 | LA-162 | Worm Cradle Bushing | | 1 |
| 6 | TS-1523011 | Set Screw | M6 x 6 | 9 |
| 7 | LA-163 | Worm Gear Spacer | | 1 |
| 8 | LA-164 | Feed Drive Worm Gear | | 1 |
| 9 | LA-165 | Worm Gear Shaft | | 1 |
| 10 | HA-010 | Worm Shaft Key | 3 x 3 x 8 mm | 1 |
| 11 | HA-011 | Key | 3 x 3 x 20 mm | 1 |
| 12 | HA-012 | Locknut | M6 x 16 | 1 |
| 13 | HA-013 | Washer | | 1 |
| 14 | HA-014 | Cluster Gear Key | 3 x 3 x 8.5 mm | 1 |
| 15 | LA-154 | Feed Reverse Bevel Gear | | 1 |
| 16 | LA-167 | Feed Engage Pin | | 1 |
| 17 | LA-166 | Worm Gear Cradle | | 1 |
| 18 | LA-033 | Worm Gear Throw-Out | | 1 |
| 19 | LA-002 | Shift Sleeve | | 1 |
| 20 | LA-004 | Plunger | | 2 |
| 21 | LA-005 | Spring | | 3 |
| 22 | HA-022 | Spring Pin | 3 x 22 mm | 2 |
| 23 | LA-003 | Shift Crank | | 2 |
| 24 | LA-006 | Plastic Ball | | 3 |
| 27 | LA-147 | Upper Bushing | | 1 |
| 28 | LA-144 | Cluster Gear Assembly | | 1 |
| 29 | HA-029 | Cluster Gear Key | 3 x 3 x 45 mm | 1 |
| 31 | LA-143 | Cluster Gear Shaft | | 1 |
| 32 | HA-032 | Snap Ring | | 2 |
| 33 | LA-142 | Bevel Gear Bushing | | 1 |
| 34 | LA-141 | Thrust Spacer | | 1 |
| 36 | LA-156 | Feed Drive Gear | | 1 |
| 37 | HA-037 | Key | 3 x 3 x 10 mm | 1 |
| 40 | LA-157 | Feed Drive Gear | | 1 |
| 41 | HA-041 | Needle Bearing | | 1 |
| 42 | LA-168 | Bushing | | 1 |
| 43 | LA-139 | Worm | | 1 |
| 44 | LA-138 | Feed Worm Shaft Bushing | | 1 |
| 47 | LA-137 | Bevel Gear Thrust Spacer | | 1 |
| 48 | LA-134 | Bushing | | 2 |
| 49 | LA-135 | Feed Reverse Bevel Gear | | 2 |
| 50 | LA-136 | Feed Reverse Clutch | | 1 |
| 55 | LA-132 | Reverse Clutch Rod | | 1 |
| 56 | HA-056 | Spring Pin | 3 x 20 mm | 1 |
| 57 | LA-133 | Feed Worm Shaft | | 1 |
| 59 | HA-059 | Spring Pin | 3 x 12 mm | 2 |
| 60 | LA-150 | Feed Shift Rod | | 1 |
| 61 | TS-1522031 | Set Screw | M5 x 10 | 1 |
| 62 | HA-062 | Key | 3 x 3 x 15 mm | 1 |
| 63 | LA-149 | Feed Gear Shift Fork | | 1 |
| 64 | LA-151 | Cluster Gear Shift Crank | | 1 |
| 66 | LA-148 | Cluster Gear Cover | | 1 |
| 67 | TS-1504011 | Hex Socket Cap Screw | M8 x 10 | 4 |
| 73 | TS-1502081 | Hex Socket Cap Screw | M5 x 35 | 2 |
| 74 | LA-081 | Clutch Ring Pin | | 2 |
| 75 | LA-080 | Clutch Ring | | 1 |
| 76 | TS-1524011 | Set Screw | M8 x 8 | 1 |

| Index No. | Part No. | Description | Size | Qty |
|-----------|------------|--|--------------|-----|
| 78 | LA-082 | Overload Clutch Lockout | | 1 |
| 79 | LA-083 | Safety Clutch Spring | | 1 |
| 80 | LA-084 | Overload Clutch | .46T | 1 |
| | LA-084N | Overload Clutch (serial # 6100913 and up) | .50T | 1 |
| 81 | LA-085 | Overload Clutch Sleeve | | 1 |
| 82 | LA-090 | Key | | 1 |
| 83 | TS-1532052 | Pan Head Machine Screw | M4 x 16 | 3 |
| 85 | TS-1523031 | Set Screw | M6 x 10 | 2 |
| 88 | LA-169 | Spring | | 1 |
| 89 | LA-089 | Spring Plunger | | 1 |
| 90 | LA-123 | Pinion Shaft Bushing | | 1 |
| 91 | LA-122 | Spacer | | 1 |
| 92 | LA-087 | Overload Clutch Worm Gear | | 1 |
| 93 | LA-086 | Overload Clutch Ring | .46T | 1 |
| | LA-086N | Overload Clutch Ring (serial # 6100913 and up) | .50T | 1 |
| 94 | HA-094 | Snap Ring | | 1 |
| 96 | LA-079 | Trip Lever | | 1 |
| 97 | LA-078 | Washer | | 1 |
| 98 | HA-098 | Snap Ring | | 1 |
| 99 | LA-076 | Clutch Arm Cover | | 1 |
| 100 | TS-1523051 | Set Screw | M6 x 10 | 1 |
| 101 | HA-101 | Locknut | | 1 |
| 102 | LA-077 | Pin | | 3 |
| 103 | LA-091 | Cam Rod | | 1 |
| 104 | LA-100 | Trip Handle | | 1 |
| 106 | LA-092 | Feed Trip Bracket | | 1 |
| 107 | TS-1503051 | Hex Socket Cap Screw | M6 x 20 | 2 |
| 109 | HA-109 | Key | 3 x 3 x10 mm | 1 |
| 110 | LA-130 | Feed Reverse Knob Stud | | 1 |
| 111 | LA-131 | Reverse Knob | | 1 |
| 112 | HA-112 | Snap Ring | | 1 |
| 113 | LA-129 | Handwheel Clutch | | 1 |
| 114 | SB-3/16 | Steel Ball | 3/16" | 2 |
| 115 | HA-115 | Spring | | 2 |
| 117 | HA-117 | Spring Pin | | 1 |
| 118 | LA-093 | Cam Rod Sleeve Assembly | | 1 |
| 121 | LA-095 | Trip Plunger | | 1 |
| 123 | LA-121 | Bushing | | 1 |
| 124 | LA-097 | Feed Trip Plunger | | 1 |
| 125 | LA-126 | Handwheel (chrome) | | 1 |
| | LA-126-BR | Handwheel (brushed finish) | | 1 |
| 126 | LA-125 | Handle (chrome) | | 1 |
| | LA-125-BR | Handle (brushed finish) | | 1 |
| 127 | LA-050A | Spindle | | 1 |
| 128 | LA-060 | Quill Skirt | | 1 |
| 129 | LA-048 | Lock Nut | | 1 |
| 131 | BB-6206ZZ | Ball Bearing | | 1 |
| 133 | LA-051 | Nose Piece | | 1 |
| 134 | LA-052 | Spindle Shield | | 1 |
| 135 | BB-7207C | Ball Bearing | | 2 |
| 136 | LA-054 | Bearing Spacer (large) | | 1 |
| 137 | LA-053 | Bearing Spacer (small) | | 1 |
| 140 | LA-172 | Set Screw | | 1 |
| 142 | LA-058 | Quill | | 1 |
| 143 | TS-154021 | Hex Nut | M4 | 1 |
| 144 | TS-1521071 | Set Screw | M4 x 20 | 1 |
| 145 | LA-098 | Feed Trip Lever | | 1 |
| 146 | LA-099 | Trip Lever Pin | | 1 |
| 148 | LA-111 | Quill Lock Sleeve | | 1 |

| Index No. | Part No. | Description | Size | Qty |
|-----------|------------|---|-------------------|-----|
| 149 | LA-109 | Lock Handle (chrome) | | 1 |
| | LA-109-BR | Lock Handle (brushed finish) | | 1 |
| 150 | HA-150 | Screw | M5 x 10 | 2 |
| 151 | LA-057 | Felt Washer | | 1 |
| 153 | LA-110 | Quill Lock Sleeve | | 1 |
| 155 | LA-043 | T-Bolt Assembly | | 4 |
| 156 | LA-046 | Spacer | | 4 |
| 157 | LA-040 | Lock Nut | | 4 |
| 158 | HA-158 | Screw | M4 x 5 | 2 |
| 159 | LA-118 | Micrometer Scale | | 1 |
| 161 | LA-115 | Quill Micro-Stop Nut | | 1 |
| 162 | LA-116 | Micrometer Nut | | 1 |
| 163 | LA-117 | Quill Stop Knob | | 1 |
| 164 | LA-112 | Quill Micro-Screw | | 1 |
| 165 | LA-165A | Screw | 3/8"-24UNF x 3/4" | 1 |
| 166 | LA-101 | Quill Pinion Shaft | | 1 |
| 168 | LA-101A | Pin | | 1 |
| 171 | HA-171 | Key | 4x4x18 mm | 1 |
| 172 | LA-107 | Pinion Shaft Hub | | 1 |
| 173 | TS-0270021 | Set Screw | 5/16" x 1/4" | 1 |
| 175 | LA-106 | Hub | | 1 |
| 176 | LA-104 | Hub Sleeve | | 1 |
| 177 | LA-103 | Spring Cover | | 1 |
| 178 | LA-102 | Clock Spring | | 1 |
| | LA-102/3 | Clock Spring Assembly | | 1 |
| 179 | TS-0680061 | Washer | 1/2" | 1 |
| 181 | TS-1523011 | Set Screw | M6 x 6 | 2 |
| 183 | LA-113 | Lever | | 1 |
| 184 | LA-114 | Plunger | | 1 |
| 185 | LA-124 | Screw | | 1 |
| 186 | LA-018 | Worm Gear | | 1 |
| 188 | LA-173 | Set Screw | | 1 |
| 189 | LA-019 | Worm Shaft | | 1 |
| 190 | LA-105 | Handle | | 1 |
| 191 | LB-017 | Plastic Ball | | 1 |
| 192 | LA-016G | Quill Housing | | 1 |
| 193 | HA-193 | Spring | 10 x 20 mm | 1 |
| 194 | RINS30 | Snap Ring | | 1 |
| 195 | HB1291 | Lock Washer | | 1 |
| 196 | TS-1524011 | Set Screw | M8 x 8 | 1 |
| 197 | TS-0561031 | Hex Nut | 3/8" | 1 |
| 198 | KF2R3320 | Key | 3x3x20mm | 1 |
| | LA-166A | Worm Gear Cradle Assembly (index # 1-17,36,37,40) | | 1 |

Base Assembly



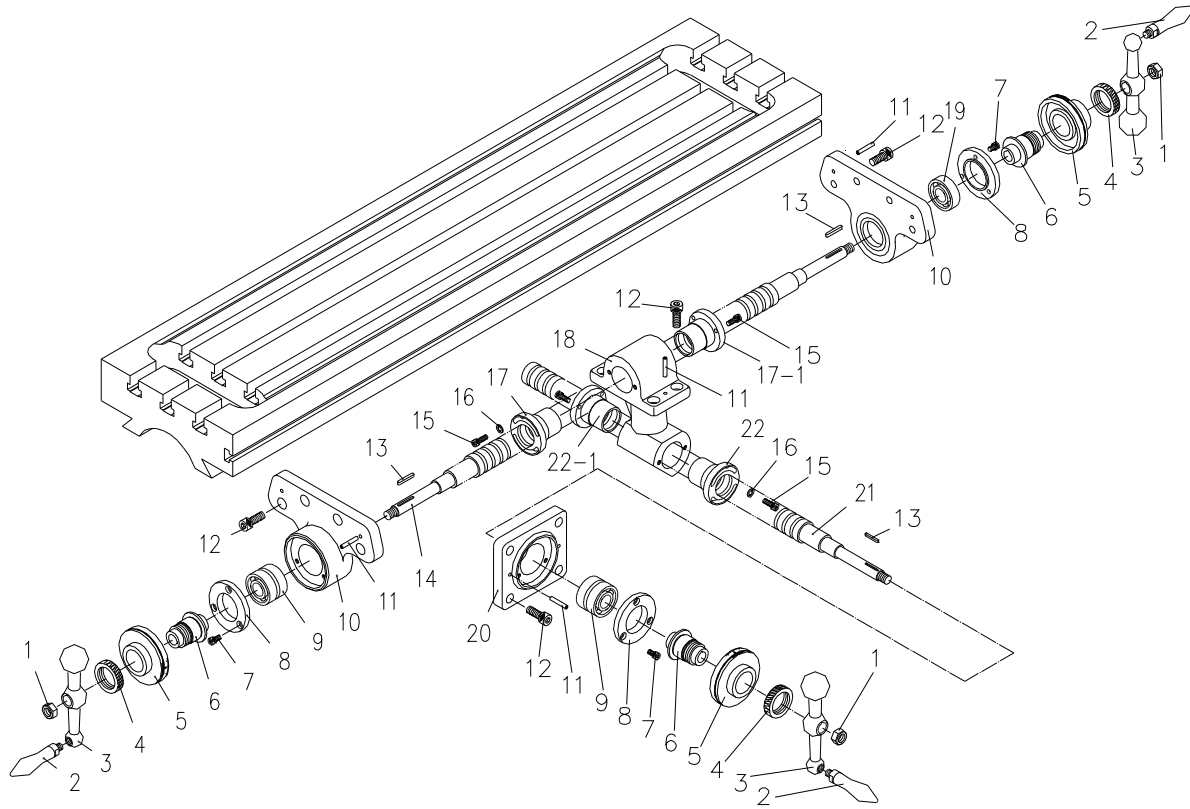
Parts List for Base Assembly

| Index No. | Part No. | Description | Size | Qty |
|-----------|------------|--------------------------|---------------|-----|
| 1 | LB-001 | Set Screw | M6 x30 | 2 |
| 2 | LB-023 | Gear | | 1 |
| 3 | LB-020G | Ram Adapter | | 1 |
| 4 | LB-004 | Snap Ring | S-28 | 2 |
| 5 | LB-005 | Rivet | | 5 |
| 6 | LB-027 | Adapter Scale | | 1 |
| 7 | LB-035 | Worm | | 1 |
| 8 | LB-036 | Worm Thrust Washer | | 1 |
| 9 | LB-034 | Shaft | | 1 |
| 10 | LB-100 | Key | 5 x 5 x 40 mm | 1 |
| 11 | MB-026G | Ram | | 1 |
| 12 | LB-032 | Angle Plate | | 1 |
| 13 | LB-028 | Adapter Pivot Stud | | 1 |
| 14 | LB-031 | Washer | | 4 |
| 15 | LB-030 | Adapter Locking Bolt | | 3 |
| 16 | MB-009G | Turret | | 1 |
| | MB-00B | Turret Scale (not shown) | | 1 |
| 17 | LB-030 | Lock Bolt | | 4 |
| 18 | LB-041 | Ram Pinion Screw | | 1 |
| 19 | LB-011 | Ram/Turret Gib | | 1 |
| 20 | LS-005E | Lock Plunger | | 2 |
| 21 | LB-014 | Ram Lock Bolt Handle | | 2 |
| 22 | LB-015 | Ram Pinion | | 1 |
| 23 | LB-016 | Ram Pinion Handle Rod | | 1 |
| 24 | LB-017 | Black Plastic Ball | | 1 |
| 25 | TS-0211131 | Set Screw | 3/8" x 2" | 2 |
| 26 | TS-0561031 | Hex Nut | 3/8" | 2 |
| 27 | MB-008 | Spider | | 1 |
| 28 | MB-000AG | Column | | 1 |
| 29 | MT000B | Table | | 1 |
| 30 | LT-027 | Stop Nut | | 2 |
| 31 | LT-028 | Table Stop | | 2 |
| 32 | TS-1504071 | Hex Socket Cap Screw | M8 x 35 | 2 |
| 33 | TS-1504031 | Hex Socket Cap Screw | M8 x 16 | 2 |
| 34 | LK-002 | Gib Adjusting Screw | | 6 |
| 35 | LS-003 | Table Stop Bracket | | 1 |
| 36 | LS-008 | Saddle/Table Gib | | 1 |
| 37 | LS-013 | Felt Wiper | | 2 |
| 38 | LS-005R | Table Lock Plunger – R | 16mm | 1 |
| 38-1 | LS-005L | Table Lock Plunger – L | 13mm | 1 |
| 39 | LS-011 | Knee Lock Handle | | 2 |
| 40 | LS-001 | Saddle/Knee Gib | | 1 |
| 42 | LS-042 | Screw | 3/16" | 20 |
| 43 | MS-000G | Saddle | | 1 |
| 45 | LS-016A | Felt (left) | | 1 |
| 46 | LK-001 | Knee/Column Gib | | 1 |
| 47 | LS-016B | Knee/Wiper Felt (right) | | 1 |
| 48 | LK-007 | Upper Chip Guard | | 1 |
| 49 | LK-006 | Lower Chip Guard | | 1 |
| 50 | MK-000G | Knee | | 1 |
| 51 | TS-1505031 | Hex Socket Cap Screw | M10 x 25 | 2 |
| 52 | MK-012G | Elevating Screw Housing | | 1 |
| 53 | MK-014 | Elevating Screw Nut | | 1 |
| 54 | TS-1503041 | Hex Socket Cap Screw | M6 x 16 | 8 |
| 55 | TS-0561052 | Hex Nut | 1/2-20UNF | 1 |
| 56 | LK-058 | Key | 4 x 4 x 30 mm | 1 |

| Index No. | Part No. | Description | Size | Qty |
|-----------|------------|---|---------------|-----|
| 57 | LK-022 | Washer | | 1 |
| 58 | MK-021 | Bevel Gear | | 1 |
| 59 | BB-6306ZZ | Ball Bearing | | 2 |
| 60 | MK-019 | Bearing Retainer Ring | | 1 |
| 61 | MK-016 | Elevating Screw | | 1 |
| 62 | LK-037 | Handle (chrome) | | 1 |
| | LK-037-BR | Handle (brushed finish) | | 1 |
| 63 | LK-036 | Elevating Crank | | 1 |
| 64 | LK-035 | Clutch Insert | | 1 |
| 65 | LK-034 | Dial Lock Nut | | 1 |
| 66 | LK-033 | Dial | | 1 |
| 67 | LK-032 | Dial Holder | | 1 |
| 68 | LK-030 | Bearing Retainer Ring | | 1 |
| 69 | BB-6204ZZ | Ball Bearing | | 1 |
| 70 | LK-029 | Bearing Cap | | 1 |
| 71 | LK-075 | Key | 4 x 4 x 18 mm | 2 |
| 72 | MK-028 | Elevating Shaft | | 1 |
| 73 | BB-6204ZZ | Ball Bearing | | 2 |
| 74 | MK-024 | Bevel Pinion | | 1 |
| 75 | LK-003B | Plunger | 32mm | 1 |
| 76 | LK-081 | Spring Pin | 8 x 30 mm | 1 |
| 77 | LS-010A | Saddle Lock Plunger | 116mm | 1 |
| 78 | TS-1515001 | Hex Socket Cap Screw | M8 x 12 | 1 |
| 79 | JTM4VS-B79 | Grease Nipple | 1/8"PT | 1 |
| 80 | JTM4VS-B80 | Spacer | | 1 |
| 81 | JTM4VS-B81 | Turret Scale | | 1 |
| 82 | JTM4VS-B82 | Rubber T-Nut | | 6 |
| 83 | MB-090 | Screw | 1/4" x 3/8" | 4 |
| 84 | MK-038 | Bushing | | 1 |
| 85 | VM-I40 | Oil Plug | 3/8" PT | 2 |
| 86 | MB-004 | Cover | | 1 |
| 87 | MB-041 | Strainer Screen | | 2 |
| 88 | JTM4VS-B88 | Lock Washer | | 1 |
| 98 | RIBW34 | Hoisting Ring | | 1 |
| 99 | LB-036 | Worm Thrust Washer | | 1 |
| 100 | LB-033 | Thrust Washer | | 1 |
| 101 | LS-018 | Pleated Way Cover | | 1 |
| 102 | LK-003C | Lock Plunger | 35mm | 1 |
| 103 | LS-017C | Flat Way Cover | | 1 |
| 104 | TS-1503051 | Hex Socket Cap Screw | M6 x 20 | 6 |
| 105 | KEY3320 | Key | 3 x 3 x 20 mm | 1 |
| 107 | LS-006B | Saddle Ratcheting Lever (chrome) | | 3 |
| | LS-006B-BR | Saddle Ratcheting Lever (brushed finish) | | 3 |
| | JTM4VS-TB | Tool Box Kit Complete (not shown) | | 1 |
| | LC051 | Plastic Electric Cover (not shown) | | 1 |
| | LC051A | Plastic Electric Cover Assembly (not shown) | | 1 |

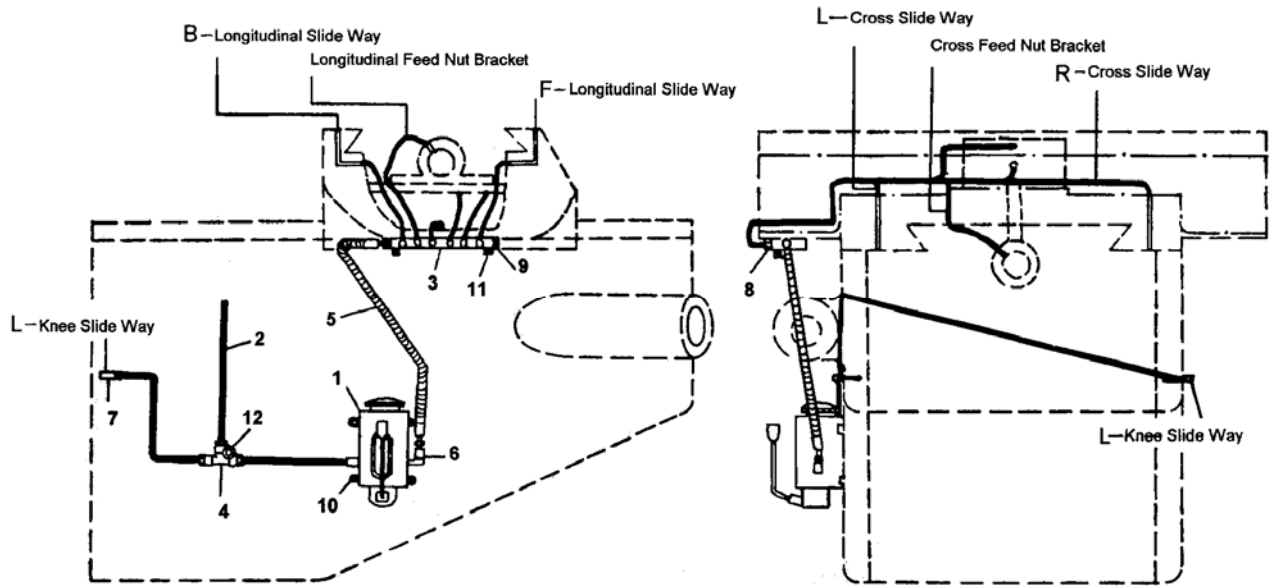
(Includes switch wire, cover, terminal bracket, power wire, retainer)

Lead Screw Assembly



| Index No. | Part No. | Description | Size | Qty |
|-----------|---------------|---|----------------|-----|
| 1 | TS-0571052 | Jam Nut | 1/2-20UNF | 3 |
| 2 | LT-010C | Handle | | 3 |
| | LT-010C-CHR | Chrome Surface Handle | | 3 |
| 3 | LT-010B | Ball Crank | | 3 |
| | LT-010BSP-CHR | Clutch Ball Crank (for powerfeed only) | chrome surface | 3 |
| | LT-010BSP | Clutch Ball Crank (for powerfeed only) | | 3 |
| 4 | LT-009 | Dial Lock Nut | | 3 |
| 5 | LT-008 | Dial | | 3 |
| 6 | LT-007 | Dial Holder | | 3 |
| 7 | TS-150301 | Hex Socket Cap Screw | M6 x 12 | 9 |
| 8 | LT-005 | Bearing Retainer Ring | | 3 |
| 9 | BB-6204ZZ | Ball Bearing | | 3 |
| 10 | LT-002 | Bearing Bracket | | 2 |
| 11 | LS-009 | Spring Pin | 5 x 30 mm | 8 |
| 12 | TS-1505031 | Hex Socket Cap Screw | M10 x 25 | 16 |
| 13 | LS-014A | Key | 3 x 3 x 25 mm | 3 |
| 14 | MT-015D | Leadscrew | | 1 |
| 15 | TS-1503041 | Hex Socket Cap Screw | M6 x 16 | 10 |
| 16 | TS-1550051 | Washer | M7 | 4 |
| 17 | MT-019B | Feed Screw Nut (set of 2; includes index # 17-1) | | 1 |
| 18 | MT-017 | Feed Nut Bracket | | 1 |
| 19 | BB-6204ZZ | Ball Bearing | | 1 |
| 20 | MT-025 | Cross Feed Bearing Bracket | | 1 |
| 21 | MT-024 | Cross Feed Screw | | 1 |
| 22 | MT-022 | Cross Feed Nut (set of 2; includes index # 17-22) | | 1 |

One-Shot Lubrication System



| Index No. | Part No. | Description | Size | Qty |
|-----------|----------------------|---|--------------|-----|
| | LT-8-A..... | Hand Oiler Assembly (includes index #1,1A,4,5,9)..... | | 1 |
| 1..... | LT-8..... | Hand Oiler..... | | 1 |
| 1A..... | LT-8-SG..... | Hand Oiler Sight Glass (w/gasket)..... | | 1 |
| 2..... | ALMP-04..... | Aluminum Pipe..... | 3.5M..... | 1 |
| | ALMP-04-VS..... | Oil Line Set w/ Fittings..... | | 1 |
| 3..... | DB-4..... | Oil Regulating Distributor..... | | 1 |
| 4..... | PKD-4..... | T-Joint..... | | 1 |
| 5..... | FHC-404..... | Flexible Steel Tube..... | | 1 |
| 6..... | PH-1-1/PB-4..... | Check Joint..... | | 2 |
| 7..... | PH-4..... | Elbow Joint..... | | 2 |
| 8..... | PA-4/PB-4..... | Straight Joint..... | | 14 |
| 9..... | PG-004..... | Union..... | | 1 |
| 10..... | JTM4VS-BUTW1458..... | Screw..... | | 4 |
| 11..... | TS-1503061..... | Hex Socket Cap Screw..... | M6 x 25..... | 2 |
| 12..... | TS-1502061..... | Hex Socket Cap Screw..... | M5 x 25..... | 1 |