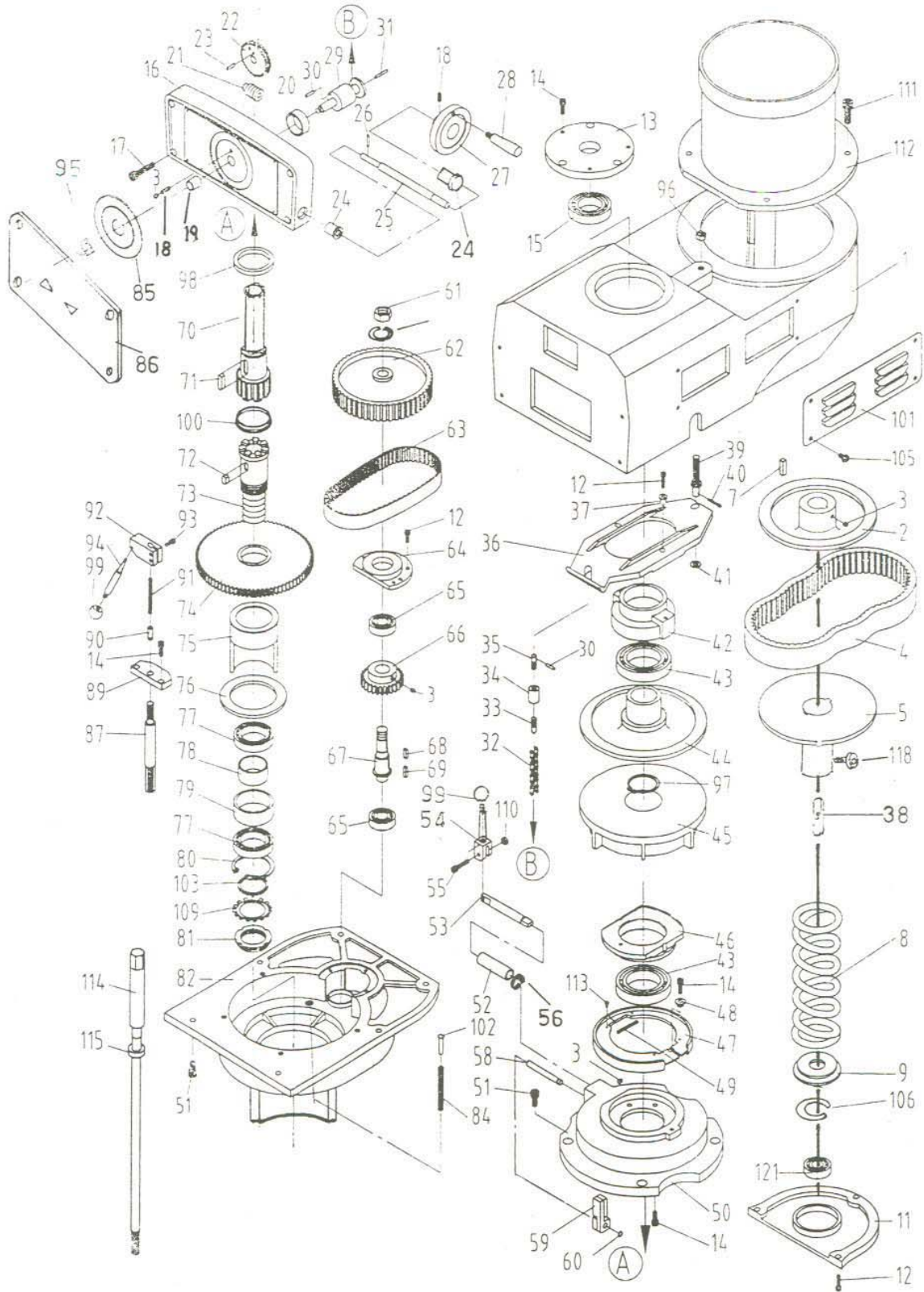


# Variable Speed Head Assembly



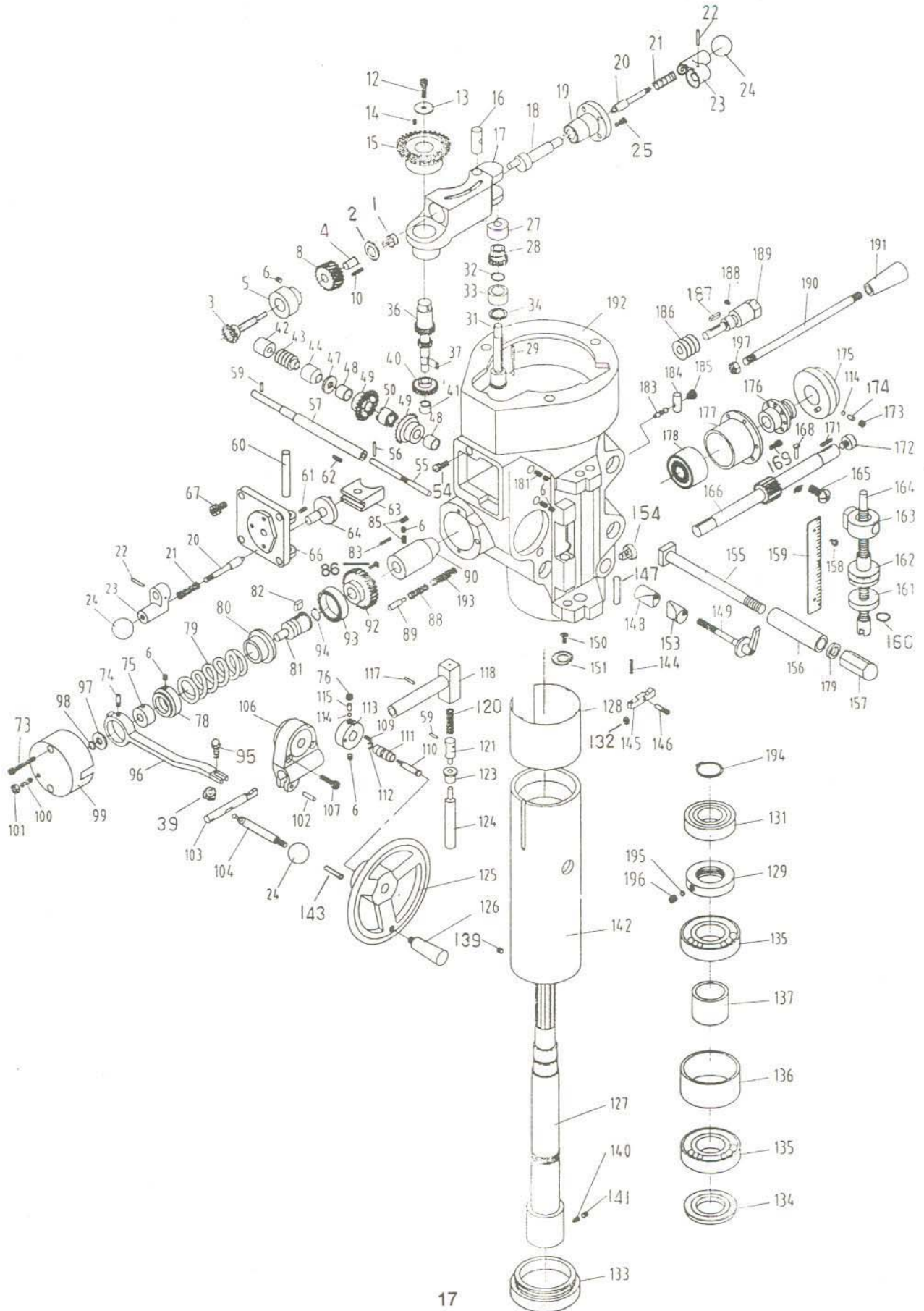
**Parts List for the JTM-1050Turret Mill  
Variable Speed Head Assembly**

Index No.	Part No.	Description	Size	Qty.
1	PVS-001	Housing		1
2	PVS-002	Motor Pulley		1
3	TS-1523011	Set Screw	M6*6	4
4	PVS-004	Belt	3830900	1
5	PVS-005	Motor Pulley		1
7	KEY7725	Key	7*7*25	1
8	PVS-008	Motor Pulley Spring		1
9	PVS-009	Spring Stop Washer		1
11	PVS-011	Motor Pulley Cover		1
12	TS-1502051	Hex Socket Cap Screw	M5*20	9
13	PVS-013	Cover		1
14	TS-1502041	Hex Socket Cap Screw	M5*16	10
15	BB-6007ZZ	Ball Bearing	6007ZZ	1
16	PVS-016	Dial Cover		1
17	TS-1502081	Hex Socket Cap Screw	M5*35	4
18	TS-1503041	Hex Socket Cap Screw	M6*16	3
19	PVS-019	Bushing		1
20	PVS-020	Bushing		1
21	PVS-021	Worm		1
22	PVS-022	Worm Gear		1
23	PVS-023	Spring Pin	5*10	2
24	PVS-024	Bushing		2
25	PVS-025	Dial Control Shaft		1
26	PVS-026	Spring Pin	3x12	2
27	PVS-027	Dial Wheel		1
28	PVS-028	Wheel Handle		1
29	PVS-029	Shaft		1
30	PVS-030	Spring Pin	4*35	2
31	PVS-031	Spring Pin	3*25	1
32	PVS-032	Speed Change Chain		1
33	PVS-033	Adjustment Stud		1
34	PVS-034	Sleeve Nut		1
35	PVS-035	Adjustment Stud		1
36	PVS-036	Tilter		1
37	PVS-037	Bushing		2
38	KEY8760	Key	8*7*60	2
39	PVS-039	Regulating Screw		1
40	PVS-040	Spring Pin	4*12	1
41	PVS-041	Washer		1
42	PVS-042	Support		1
43	BB-6010ZZ	Ball Bearing	6010ZZ	2
44	PVS-044	Drive Pulley Assembly		1
45	PVS-045	Steady Pulley		1
46	PVS-046	Bearing Cover		1

47	PVS-047	Brake Lining		1
48	PVS-048	Lock Screw		1
49	PVS-049	Brake Spring		2
50	PVS-050	Lower Housing Cover		1
51	TS-1503051	Hex Socket Cap Screw	M6*20	10
52	PVS-052	Brake Shaft Sleeve		1
53	PVS-053	Brake Lock Shaft		1
54	PVS-054	Brake Lock Block		1
55	TS-1503061	Hex Socket Cap Screw	M6*25	1
56	PVS-056	Snap Ring	S-12	1
58	PVS-058	Brake Finger Pivot Stud		1
59	PVS-059	Brake Stud		2
60	PVS-060	Snap Ring	S-8	1
61	PVS-061	Nut	5/8"-18NF	1
62	PVS-062	Timing Belt Pulley		1
63	PVS-063	Timing Belt	225L100	1
64	PVS-064	Bearing Housing		1
65	BB-6203ZZ	Ball Bearing	6203ZZ	2
66	PVS-066	Bull Gear		1
67	PVS-067	Counter Shaft		1
68	KEY5515	Key	5*5*15	1
69	KEY5518	Key	5*5*18	1
70	PVS-070	Spindle Pulley Hub		1
71	KEY8720	Key	8*7*20	1
72	KEY8712	Key	8*7*12	1
73	PVS-073	Spindle Gear Hub		1
74	PVS-074	Gear		1
75	PVS-075	Rack Cup		1
76	PVS-076	Washer		1
77	BB-6908ZZ	Ball Bearing	6908ZZ	2
78	PVS-078	Bearing Washer		1
79	PVS-079	Bearing Washer		1
80	PVS-080	Snap Ring	C-62	1
81	PVS-081	Nut		1
82	PVS-082	Housing		1
84	PVS-084	Spring		3
85	PVS-085	Vari-Speed Plate		1
86	PVS-086	Plastic Face Plate		1
87	PVS-087	Gear Shaft Pinion		1
89	PVS-089	Deter Plate		1
90	PVS-090	Bearing Stop		1
91	PVS-091	Spring		1
92	PVS-092	Pinion Block		1
93	TS-1503011	Hex Socket Cap Screw	M5*14	2
94	PVS-094	Pinion Crank		1
95	PVS-095	Cap Nut		1
96	PVS-096	Nut	3/8"	1
98	PVS-098	Wave Washer		1
99	PVS-099	Plastic Ball		2
100	PVS-100	Collar		1
101	PVS-101	Cover		2
102	PVS-102	Spring Shaft		3
103	PVS-103	Washer		1
105	PVS-105	Round Head Screw	3/16"*3/8"	8

106	PVS-106	Snap Ring	S-28	1
109	PVS-109	Lock Washer		1
110	TS1540041	Nut	M6	1
111	TS-0209051	Hex Socket Cap Screw	3/8"*1"	2
112	PVS-112	Motor		1
113	PVS-113	Round Head Screw	1/8"*1/4"	4
114	PVS-114	Draw Bar		1
115	PVS-115	Draw Bar Washer		1
118	PVS-118	Hex Socket Cap Screw	M5*6	1
121	BB-6024ZZ	Ball Bearing	6204ZZ	1

# Head Assembly



### Head Assembly

1	TS-1503031	Hex Socket Cap Screw	M6*12	1
2	B-2	Washer		1
3	B-3	Feed Bevel Pinion		1
4	B-4	Worm Gear Shaft Sleeve		1
5	B-5	Bushing		1
6	TS-1522011	Set Screw		1
8	B-8	Worm Gear		1
10	KEY3312	Key	3*3*12	1
12	TS-1504031	Hex Socket Cap Screw	M8*16	1
13	B-13	Washer		1
14	KEY3308	Key	3*3*8	2
15	B-15	Bevel Gear		1
16	B-16	Feed Engage Pin		1
17	B-17	Worm Gear Cradle		1
18	B-18	Worm Gear Cradle Shaft		1
19	B-19	Shaft Sleeve		1
20	B-20	Gear Shaft Plunger		2
21	B-21	Spring		2
22	B-22	Spring Pin	3*20	2
23	B-23	Shift Crank		2
24	B-24	Black Plastic Ball		3
25	TS-1503010	Hex Socket Cap Screw	M5x12	3
27	B-27	Bushing		1
28	B-28	Gear		1
29	KEY3345	Key	3*3*45	1
31	B-31	Gear Shaft		1
32	B-32	Snap Ring	S-16	1
33	B-33	Bevel Gear Bushing		1
34	B-34	Spacer		1
36	B-36	Gear		1
39	TS-1540031	Nut	M5	1
40	B-40	Feed Drive Gear		1
41	B-41	Needle Bearing		1
42	B-42	Bushing		1
43	B-43	Worm Gear		1
44	B-44	Bushing		1
47	B-47	Washer		1
48	B-48	Bushing		2
49	B-49	Bevel Gear		2
50	B-50	Feed Reverse Clutch		1
54	TS-1503061	Hex Socket Cap Screw	M6*25	1
55	B-55	Reverse Clutch Rod		1
56	B-56	Spring Pin	3*20	1
57	B-57	Feed Worm Shaft		1
58	TS-1523011	Set Screw	M6*6	1
59	B-59	Spring Pin	3*12	2
60	B-60	Chip Guards		1
61	TS-1522031	Set Screw	M5*10	1
62	KEY3315	Key	3*3*15	2
63	B-63	Feed Gear Shift Fork		1
64	B-64	Gear Shift Crank		1
66	B-66	Cluster Gear Cover		1

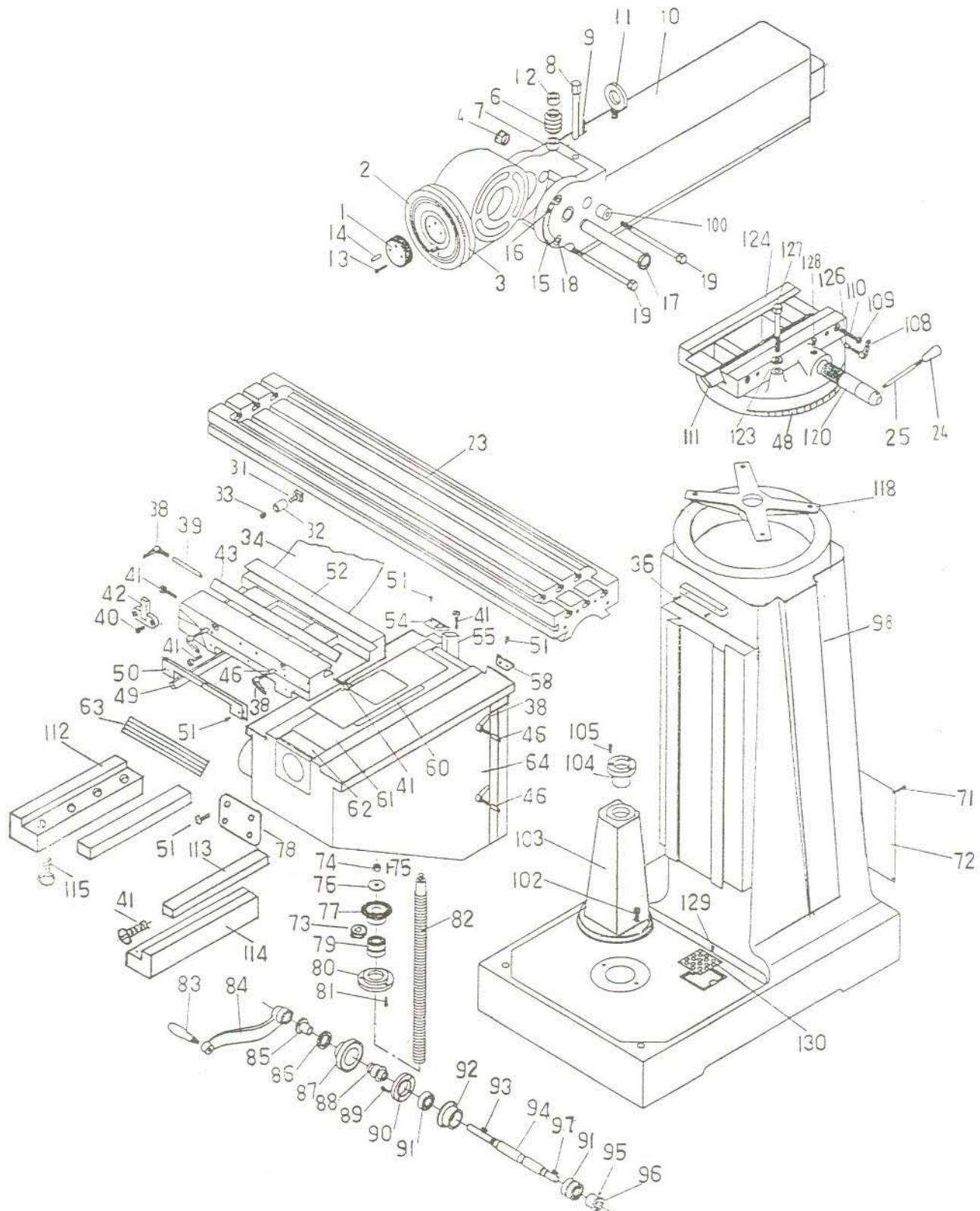
67	TS-1502031	Hex Socket Cap Screw	M5*12	4
73	TS-1502081	Hex Socket Cap Screw	M5*35	2
74	B-74	Clutch Ring Pin		2
75	B-75	Clutch Ring		1
76	TS-1523021	Set Screw	M6*8	1
78	B-78	Clutch Locknut		1
79	B-79	Safety Clutch Locknut		1
80	B-80	Overload Clutch		1
81	B-81	Overload Clutch Sleeve		1
82	KEY5813	Key	5*8*13	1
83	B-83	Hex Socket Head Bolt		3
85	TS-1523011	Set Screw	M6*6	2
86	B-86	Cross Plate Screw	M4*16	4
88	B-88	Spring		1
89	B-89	Spring Plunger		1
90	B-90	Bushing		1
92	B-92	Worm Gear		1
93	B-93	Clutch Ring		1
94	B-94	Snap Ring	S-10	1
95	TS-1502051	Hex Socket Cap Screw	M5*20	1
96	B-96	Clutch Trip Lever		1
97	B-97	Clutch Washer		1
98	B-98	Snap Ring	S-10	1
99	B-99	Clutch Arm Cover		1
100	C-19-1	Set Screw	M6*16	1
101	TS-1540041	Nut	M6	1
102	B-102	Spring Pin	5*18	1
103	B-103	Cam Rod		1
104	B-104	Trip Handle		1
106	B-106	Feed Trip Bracket		1
107	TS-1503051	Hex Socket Cap Screw	M6*20	1
108	TS-1523031	Set Screw	M6*10	1
109	KEY3310	Key	3*3*10	1
110	B-110	Knob Stud		1
111	B-111	Reverse Knob		1
112	B-112	E-Ring	E-6	1
113	B-113	Handle Wheel Clutch		1
114	B-114	Steel Ball	3/16"	2
115	B-115	Compression Spring		2
116	B-116	Set Screw	M8*6	1
117	B-117	Spring Pin	3*15	1
118	B-118	Cam Rod Sleeve		1
119	B-119	Spring Pin	3*12	1
120	B-120	Compression Spring		1
121	B-121	Trip Plunger		1
123	B-123	Bushing		4
124	B-124	Feed Trip Plunger		1
125	B-125	Handle Wheel		1
126	B-126	Handle		1
127	B-127	Spindle		1
128	B-128	Quill Skirt		1
129	B-129	Locknut		1
131	BB-6206ZZ	Ball Bearing	6206ZZ	1

132	B-132	Nut	M4	1
133	B-133	Nose Piece		1
134	B-134	Spindle Dirt Shield		1
135	BB-7207C	Angular Bearing	7207	1
136	B-136	Spacer		1
137	B-137	Spacer		1
138	BB-7207C	Angular Bearing	7207	1
139	B-139	Set Screw		1
140	B-140	Set Screw		1
141	TS-1523011	Set Screw	M6*6	1
142	B-142	Quill		1
143	B-143	Spring Pin	3*16	1
144	B-144	Set Screw	M4*20	1
145	B-145	Feed Trip Lever		1
146	B-146	Trip Lever Pin		1
147	B-147	Indicator Rod		1
148	B-148	Quill Lock Sleeve		1
149	B-149	Lock Handle		1
150	B-150	Round Head Screw	M5*8	2
151	B-151	Washer	M5	2
153	B-153	Quill Lock Sleeve		1
154	B-154	Indicator Rod Screw		1
155	B-155	T-Bolt		4
156	B-156	Spacer		4
157	B-157	Adaptor Nut		4
158	B-158	Round Head Screw		2
159	B-159	Micrometer Scale		1
160	B-160	Snap Ring	S-16	1
161	B-161	Quill Micro-Stop Nut		1
162	B-162	Quill Micro-Stop Nut		1
163	B-163	Quill Stop Knob		1
164	B-164	Quill Micro-Stop Nut		1
165	B-165	Round Head Screw	M10*15	1
166	B-166	Quill Pinion Shaft		1
168	B-168	Pin		1
169	TS-1503010	Hex Socket Cap Screw	M5*12	2
171	KEY3320	Key	3*3*20	1
172	B-172	Pinion Shaft Hub Screw		1
173	B-173	Set Screw	5/16" * 1/4"	1
174	B-174	Compression Spring		1
175	B-175	Handle Hub		1
176	B-176	Hub Sleeve		1
177	B-177	Spring Cover		1
178	B-178	Clock Spring		1
179	B-179	Washer		4
181	TS-1523041	Set Screw	M6*12	2
183	B-183	Reverse Trip Ball Lever		1
184	B-184	Reverse Trip Plunger		1
185	B-185	Trip Ball Lever Screw		1
186	B-186	Worm Gear		1
187	KEY4418	Key	4*4*18	1
188	B-188	Set Screw		1
189	B-189	Worm Shaft		1
190	B-190	Pinion Shaft Hub Handle		1



191	B-191	Black Plastic Ball	1
192	B-192	Quill Housing	1
193	B-193	Compression Spring	1
194	B-194	Snap Ring	S-30 1
195	B-195	Bush	1
196	TS-1523011	Set Screw	M6*6 1
197	B-197	Nut	1

# Base Assembly

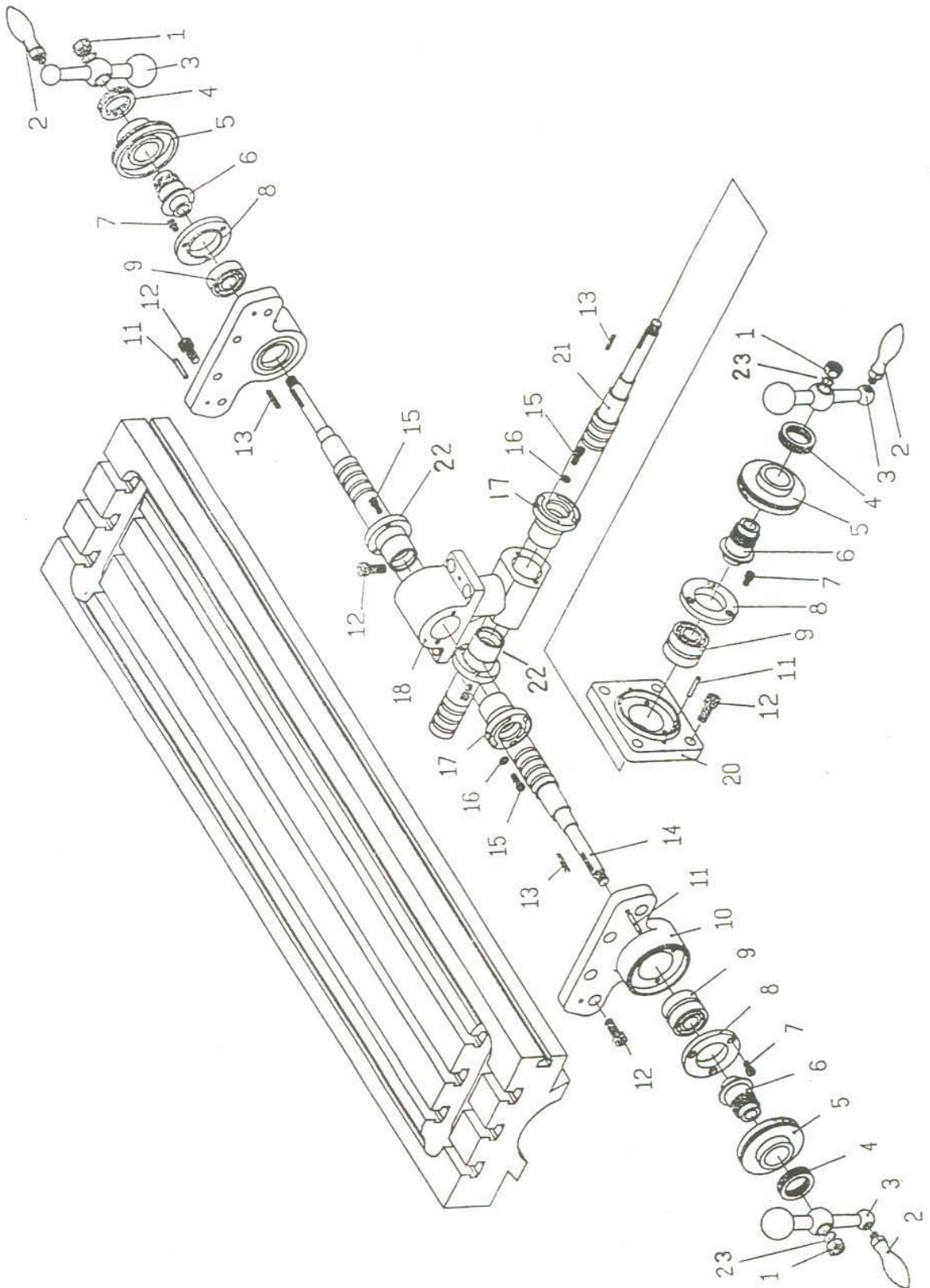


### Base Assembly

1	C-1	Worm Washer		1
2	C-2	Ram Adaptor		1
3	C-3	Adaptor Scale		1
4	C-4	Lock Nut		1
6	C-6	Worm Gear		1
7	C-12	Collar		1
8	C-8	Worm Shaft		1
9	KEY5550	Key	5*5*50	1
10	C-10	Ram		1
11	C-11	Hook	3/4"	1
12	C-7-1	Washer		1
13	TS-1504061	Hex Socket Cap Screw	M8*30	2
14	C-14	Spring Pin		1
15	C-15	Angle Plate		1
16	C-16	Rivet		10
17	C-17	Adaptor Pivot Stud		1
18	C-18	Washer		3
19	C-19	Locking Bolt		3
23	C-23	Table		1
31	C-31	T-Bolt		2
32	C-32	Table Stop Piece		2
33	C-33	Hex Nut	3/8"-16NC	2
34	C-34	Chip Guard		1
36	C-36	Pan Head Screw	3/16"*3/8"	4
38	C-38A	Saddle Lock Bolt		5
39	C-39	Saddle Lock Plunger		1
40	C-40	Hex Socket Cap Screw		2
41	C-41	Adjusting Screw		10
42	C-42	Table Stop Bracket		1
43	C-43	Gib		1
46	C-46	Table Lock Plunger		4
49	C-49	Saddle Knee Gib		1
50	C-50-1	Wiper		2
51	C-51	Pan Head Screw		18
52	C-52	Saddle		1
54	C-54	Knee Wiper Felt		1
55	C-55	Knee Column Gib		1
58	C-58	Knee Wiper Felt		1
60	C-60	Chip Guards		1
61	C-61	Chip Guards		1
62	C-62	Chip Guards		1
63	C-63	Chip Guards		1
64	C-64	Knee		1
71	C-71	Pan Head Screw		8
72	C-72	Cover		1
73	C-23-1	Washer		1
74	C-74	Nut	1/2"-20NF	1
75	KEY5525	Key	5*5*25	1
76	C-76	Washer		1
77	C-77	Bevel Gear		1
78	C-78	Front Cover		1
79	BB-5305ZZ	Ball Bearing	5305	1

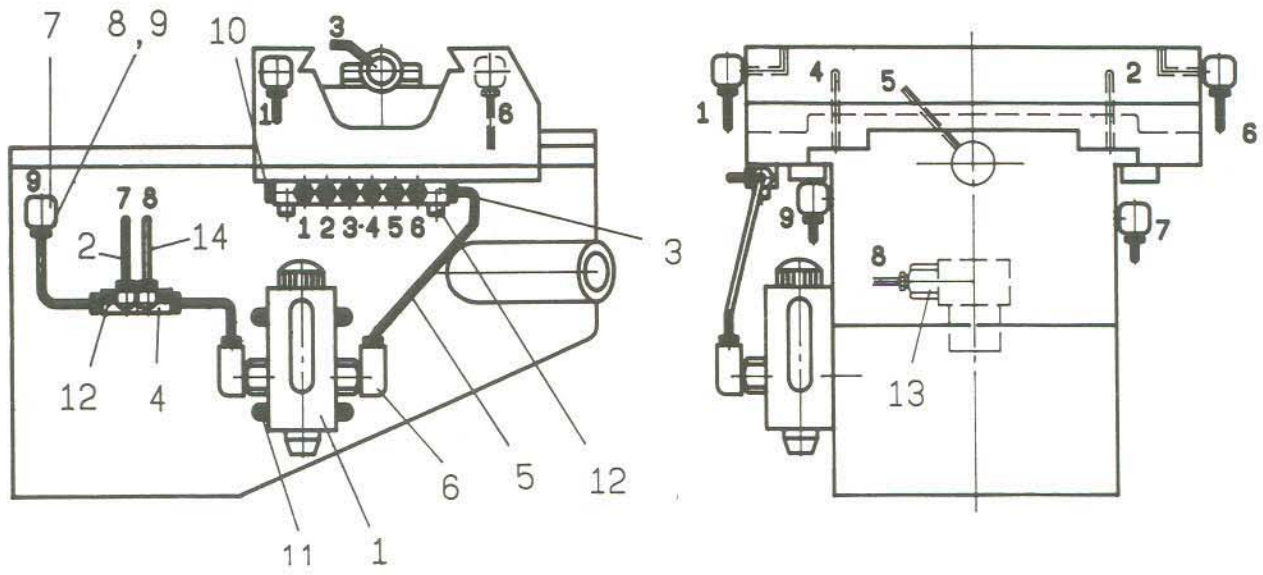
80	C-80	Bearing Stop		1
81	TS-1503051	Hex Socket Cap Screw	M6*20	3
82	C-82	Leadscrew		1
83	C-83	Handle		1
84	C-84	Elevating Crank		1
85	C-85	Gear Shear Clutch		1
86	C-86	Dial Lock Nut		1
87	C-87	Dial		1
88	C-88	Dial Holder		1
89	TS-1503051	Hex Socket Cap Screw	M6*20	3
90	C-90	Bearing Stop		1
91	BB-6204ZZ	Ball Bearing	6204ZZ	2
92	C-92	Bearing Stop		1
93	KEY3318	Key	3*3*18	1
94	C-94	Shaft		1
95	C-95	Grub Set Screw		1
96	C-96	Bevel Gear		1
97	KEY4418	Key	4*4*18	1
98	C-98	Column		1
100	C-19-1	Collar		1
102	TS-1505051	Hex Socket Cap Screw	M10*35	2
103	C-103	Lead Screw Housing		1
104	C-82-1	Lead Screw Nut		1
105	TS-1503051	Hex Socket Cap Screw	M6*20	3
108	C-38A	Lock Bolt		2
109	C-109	Nut	3/8"	2
110	C-110	Set Screw		2
111	C-111	Gib		1
112	C-112	Gib Holder(L)		1
113	C-113	Gib		1
114	C-114	Gib Holder(R)		1
115	TS-1505051	Hex Socket Cap Screw	M10*35	8
118	C-118	Spider		1
120	C-120	Ram Pinion		1
123	C-123	Spring Washer		4
124	C-124	Turret		1
126	C-126	Ram Lock Plunger		2
127	C-127	Locking Bolt		4
128	C-128	Ram Pinion Set Screw		1
129	C-129	Rivet		2
130	C-130	Strainer		1
131	JM-1050	Stripe Decal (Not Shown)		1

# Leadscrew Assembly



### Leadscrew Assembly

1	D-1	Nut	1/2"-20NF	3
2	D-2	Handle		3
3	D-3	Ball Crank		3
4	D-4	Dial Lock Nut		3
5	D-5	Dial		3
6	D-6	Dial Holder		3
7	TS-1503031	Hex Socket Cap Screw	M6*12	9
8	C-90	Bearing Stop		3
9	BB-6204ZZ	Ball Bearing	6204ZZ	5
10	D-10	Bearing Bracket		2
11	D-11	Spring Pin	5*25	6
12	TS-1505031	Hex Socket Cap Screw		16
13	KEY3325	Key	3*3*25	3
14	D-14	Leadscrew		1
15	TS-1503061	Hex Socket Cap Screw		10
16	H-9	Washer		4
17	D-17	Feed Screw Nut		2
18	D-18	Feed Nut Bracket		1
20	D-20	Cross Bearing Bracket		1
21	D-21	Cross Feed Screw		1
22	D-22	Cross Feed Nut		2
23	D-23	Spring Washer	1/2"	3



### One Shot Lubrication System

1	.....	CLA-8	Handle Oiler.....	1
2	.....	ALMP-04	Aluminum Piece..... 13.5mm	1
3	.....	A-8	Oil Regulation Distributor.....	1
4	.....	A-4	Oil Regulation Distributor.....	1
5	.....	A-5	Flexible Steel Tube..... 4*550	1
6	.....	PH-4011	Elbow Joint.....	2
7	.....	PI-401	Elbow Joint.....	6
8	.....	PA-4	Thimble Nut.....	20
9	.....	PB-4	Thimble.....	20
10	.....	PG-004	Union.....	1
11	.....	JTM4VS-BUTW1458	Screw..... M6*14	4
12	.....	TS-1502061	Hex Socket Cap Screw..... M5*25	4
13	.....	PD-401	Straight Joint.....	1
14	.....	A-14	Nylon Piece..... 4*700	1

# Electrical Schematic

For 230 V

For 460 V

