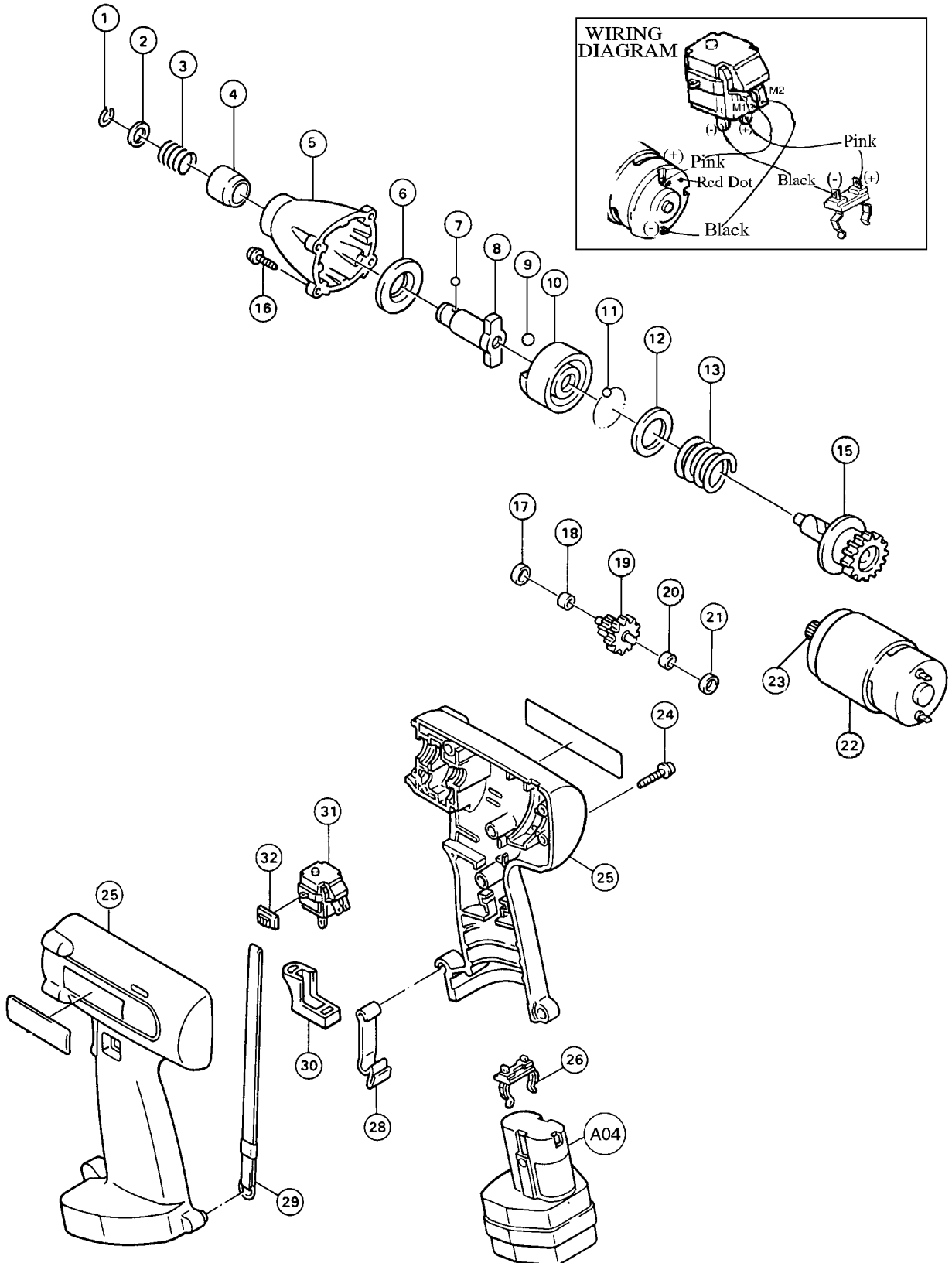
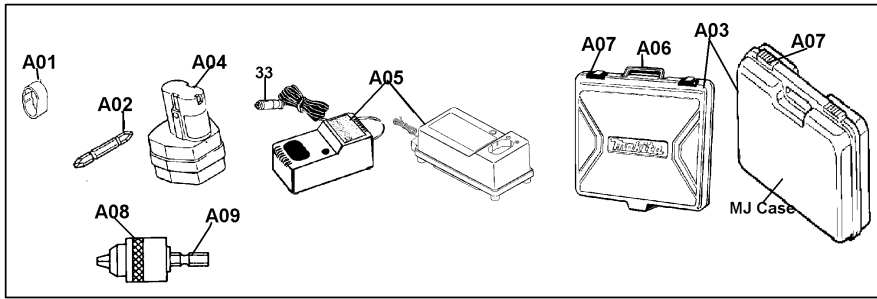




12V IMPACT DRIVER

Model 6913DWA(MJ)





Item No.	Part No.	No. Used	Description	Item No.	Part No.	No. Used	Description
1	231951-8	1	Ring Spring 11	A04	192296-8	1	12V Ni-Cad Battery 1201(1.7Ah) (No Latch)
2	267085-1	1	Flat Washer 12		192681-5	1	12V Ni-Cad Battery 1220 (With Latch) (1.3Ah)
3	233005-7	1	Compression Spring 13		192681-B	1	12V Ni-Cad Battery 1220 - Brown Box (With Latch) (1.3Ah)
4	324420-7	1	Sleeve (Old 322434-0)		192598-2	1	12V Ni-Cad Battery 1222 (With Latch) (2.0 Ah)
5	152472-6	1	Hammer Case Com. (Includes 257665-1 - Sleeve 14)		192698-A	1	12V Ni-MH Battery 1233 (2.2AH) (With Latch)
6	261099-2	1	Nylon Washer 14		193157-5	1	12V Ni-MH Battery 1234 (2.6Ah) (With Latch)
7	216001-0	2	Steel Ball 3.5		193138-9	1	12V Ni-MH Battery 1235 (3.0Ah) (With Latch)
8	322754-2	1	Anvil		193623-2	1	12V Ni-MH Battery 1235F (3.0Ah) (W/LED Light) (With Latch)
9	216011-7	2	Steel Ball 5.6	A05	DC1411	1	Fast Charger DC1411 For 7.2V ~ 14.4V Ni-Cad & Ni-MH Batteries (1.3Ah & 3.0Ah)
10	322706-3	1	Hammer		DC1413	1	Fast Charger DC1411 For 7.2V ~ 14.4V Ni-Cad & Ni-MH Batteries (1.3Ah & 3.0Ah)
11	216001-0	24	Steel Ball 3.5		DC1414	1	Charger DC1414 For 7.2V ~ 14.4V Ni-Cad & Ni-MH Batteries(1.3Ah & 3.0Ah)
12	267126-3	1	Flat Washer 22		DC1439	1	Rapid Charger DC1439 For 7.2V ~ 14.4V Ni-Cad & Ni-MH Batteries (1.3Ah ~ 3.0Ah)
13	233130-4	1	Compression Spring 24		DC1470	1	Charger DC1411 For 7.2V ~ 14.4V Ni-Cad Batteries (1.3Ah)
15	153231-1	1	Spindle Com. (Includes 226294-1 - Spur Gear 37)		DC1803	1	Charger DC1803 For 7.2V ~ 18V Ni-Cad & Ni-MH Batteries (1.3Ah ~ 3.0Ah)
16	266045-0	4	Tapping Screw, Flange PT 4x20		DC1804	1	Charger DC1803 For 7.2V ~ 18V Ni-Cad & Ni-MH Batteries (1.3Ah ~ 3.0Ah)
17	165091-9	1	Rubber Sleeve 8		CAADC1412	1	Automotive Charger DC1412 For 7.2V ~ 14.4 V Ni-Cad Batteries (1.3Ah ~ 2.0AH)(With Item 33)
18	214031-5	1	Plane Bearing 4		DC1422	1	Automotive Charger DC1422 For 7.2V ~ 14.4V Ni-Cad & Ni-MH Batteries (1.3Ah ~ 3.0Ah) (With Item 33)
19	226127-0	1	Gear Com. 13-47		DC1822	1	12V Automotive Charger DC1822 For 7.2V ~ 18V Ni-Cad & Ni-MH Batteries (1.3Ah ~ 3.0Ah)(Includes Item 33)
20	214031-5	1	Plane Bearing 4	A06	A00181-7	1	Black Plastic Handle (For Item A03 P/N - 824399-A)
21	165091-9	1	Rubber Sleeve 8	A07	A00188-3	2	Snap Lock (For Item A03 P/N - 824399-A)
22	629686-7	1	DC Motor 12V (With Item 23)		182935-8	2	Slide Lock (For Item A03 P/N -824620-4)
23	221882-9	1	Spur Gear 15	A08	192123-9	1	3/8" Keyless Drill Chuck (Metal) (Type 1) (Includes A09)
24	265995-6	8	Tapping Screw 4x18		192048-7	1	3/8" Keyless Drill Chuck (Metal) (Type 2) (Includes A09)
25	182679-0	1	Housing Set	A09	784635-2	1	Connect Bit 6.35-44
26	643924-3	1	Battery Holder				
28	344121-1	1	Set Plate				
29	163319-9	1	Hand Strap				
30	415671-4	1	Switch Lever				
31	650500-6	1	Switch				
32	414740-8	1	Lever				
33	655000-B	1	Plug for Cigarette Lighter				
Accessories							
A01	414938-7	1	Battery Cover				
A02	-----	1	Bit (See Catalogue For Details)				
A03	824399-A	1	Plastic Carrying Case (Includes Items A06 & A07 P/N A00188-3)				
	824620-4	1	MJ Plastic Carrying Case (Includes Item A07 - P/N 182935-8) (Old 824399-7)				