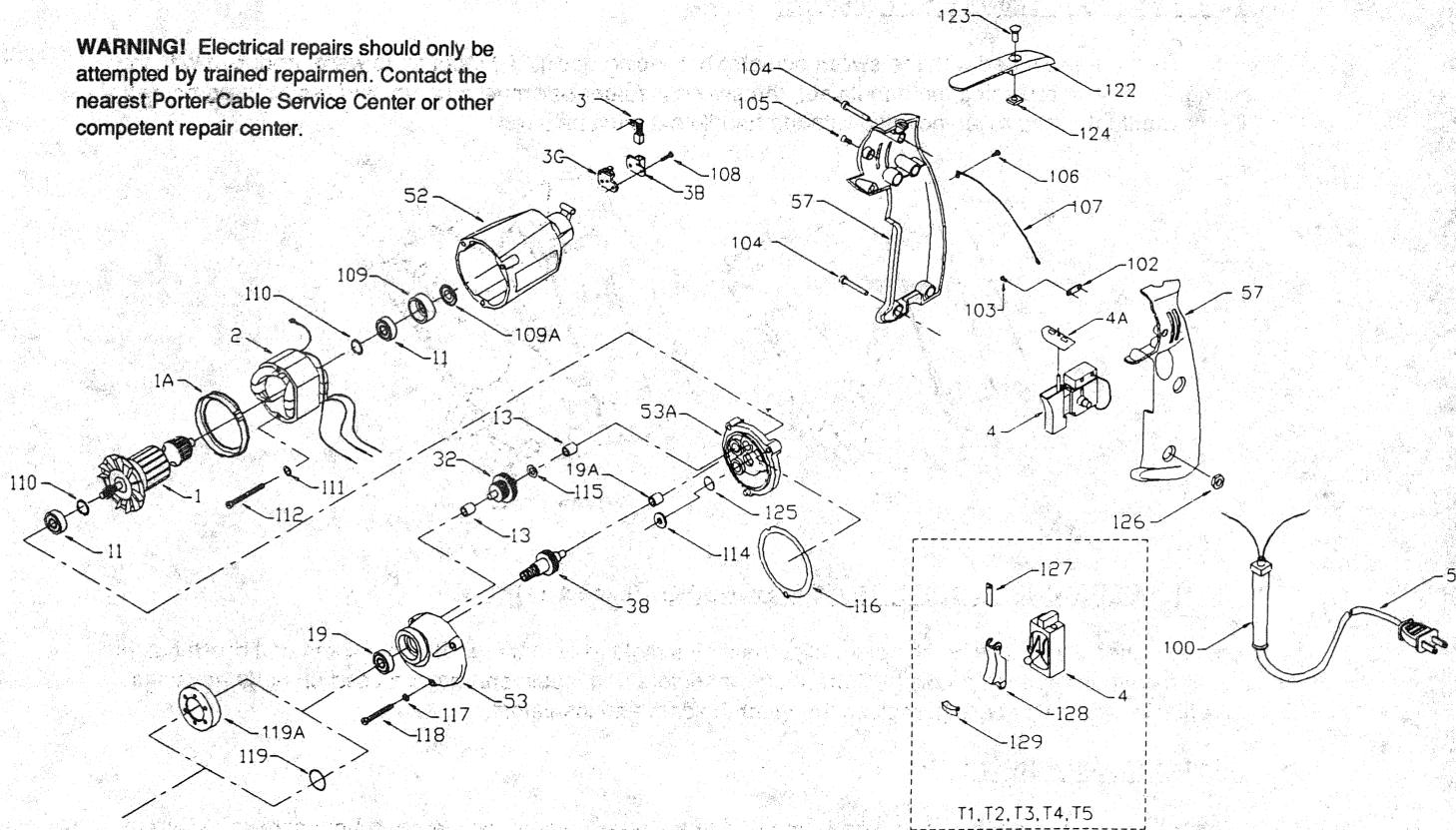


PORTER-CABLE O. E. M. POWER UNIT (HANCHETT MFG. Co.)

696013 (7503)

NOTE: EARLY TYPES HAVE
7503 SPEC. PLATES

WARNING! Electrical repairs should only be attempted by trained repairmen. Contact the nearest Porter-Cable Service Center or other competent repair center.



Ref. No.	Part No.	Description	Ref. No.	Part No.	Description
1	n	876480 Armature, T6	104	688401 Screw, T6	
		872640 Armature, T5		841644 Screw, All Except T6	
		865733 Armature, T1, T2, T3, T4	105	866340 Screw	
2	n	877653 Field, T6	106	864137 Screw	
		872646 Field, T5	107	876576 Lead Assy., T6	
		865736 Field, All Except T5, T6		690774 Lead Assy., T2, T3, T4, T5	
3		869734 Brush, All Except T1		865774 Lead Assy., T1	
		865941 Brush & Holder Assy. T1	108	864136 Brush Holder Screw, All Except T1	
3B		696691 Brush Holder, All Except T1		860756 Brush Holder Screw, T1	
3C		811490** Brush Insulator, All Except T1	109	694432 Bearing Mount, T6	
4	n	876469 Switch, T6	109A	842610 Load Spring, All Except T6	
		874546** Switch, All Except T6	110	847564 Snap-Ring, Service Only	
5	n	695854 Cord Assy., T6, Incl: Ref. 100	111	802214 Washer	
		693720 Cord, All Except T6	112	699085** Self-Tapping Screw, T5, T6	
11		855284 Bearing		841941** Machine Screw, T1, T2, T3, T4	
13		693808 Needle Bearing, T4, T5, T6	114	852714 Slinger	
		848131 Needle Bearing, T1, T2, T3	115	848741 Washer	
19		855220 Bearing	116	697203** Gasket	
19A		693808 Needle Bearing, T4, T5, T6	117	802648 Lockwasher	
		839837 Needle Bearing, T1, T2, T3	118	694015** Self-Tapping Screw, T5, T6	
32		697673 Idler Assy., T4, T5, T6		865682** Machine Screw, T1, T2, T3, T4	
		853292 Idler Assy., T1, T2, T3	119	859769 Snap-Ring, All Except T1, T2	
38		697726 Spindle Assy., T4, T5, T6	119A	804257 Retainer, T1, T2	
		691847 Spindle Assy., T3	122	875861 Belt Clip, T6	
		865267 Spindle Assy., T1, T2	123	876181 Screw, T6	
52	n	876677 Motor Hsg, T6, Incl: Ref. 109A, 111, 112	124	875862 Nut, T6	
		868219 Motor Hsg, T2, T3, T4, T5, Incl: Ref. 109	125	802851 O-Ring (Early Versions Only)	
		865245 Motor Hsg., T1	126	828841 Nut, All Except T6	
53		697681 Gear Hsg. Assy. T4, T5, T6, Incl: Ref. 26	127	869671 Switch Clamp, T2, T3, T4, T5	
		691844 Gear Hsg. Assy. T3, Incl: Ref. 26		847555** Switch Clamp, T1	
		848146 Gear Hsg. Assy. T1, T2, Incl: Ref. 26	128	811546 Actuator, T2, T3, T4, T5	
53A		697684 Intern. Plate, T4, T5, T6, Incl: Ref. 11, 13, 19A		868583 Actuator, T1	
		868599 Intern. Plate, T1, T2, T3, Incl: Ref. 11, 13, 19A, 116	129	866614 Handle Insert, All Except T6	
57	n	876612 Handle Assy., Incl: Ref. 102, 103, 104, 105	*	811292 Armature Fan	
		691485 Handle Assy., Incl: Ref. 102, 103, 104, 105	*	801945 Lubricant (5 1/2 oz.)	
		868557 Handle Assy., Incl: Ref. 102, 103, 104, 105	*	801946 Lubricant (4 lb)	
100		810716 Strain Reliever			
102		861434 Cord Clamp			
103		693104 Screw, T6			
		859227 Screw, All Except T6			

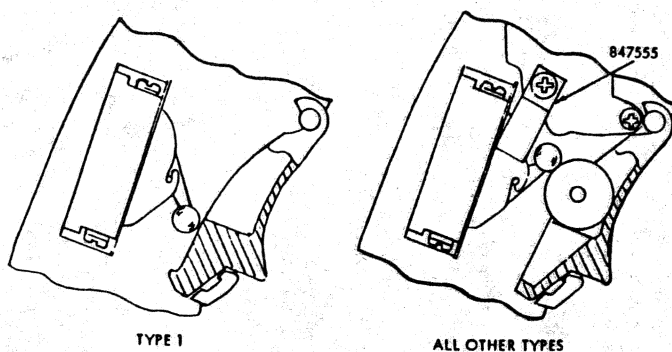
**See Service Notes
*Not Shown

696013
(7503)

SERVICE NOTES

SWITCH # 847546 & HANDLE SET # 868557

Type 1 units were produced with the switch actuator ball facing down. All other units were produced with the ball facing up. When replacing the handle set, the switch actuator ball must face upward (as pictured below) and the new actuator and roller included with the handle set must be used.



BRUSH HOLDERS, INSULATORS, MOTOR HOUSING (Except T1)

Current motor housings have brush holder alignment pins molded onto them. Brush holders and brush holder insulators have corresponding holes. Current brush holders and insulators may be used on early housings. When replacing an early housing, replace the brush holders and insulators.

MOTOR HOUSING/SCREWS (T5)

Early motor housings had threaded inserts molded in for gear housing screws and field screws. Current motor housings do not have inserts and require self-tapping screws.

Service replacement housings will be current type and will include the necessary self-tapping screws.

GASKET

The Gasket was not used on early models. It is recommended that a Gasket be added when servicing those early units.