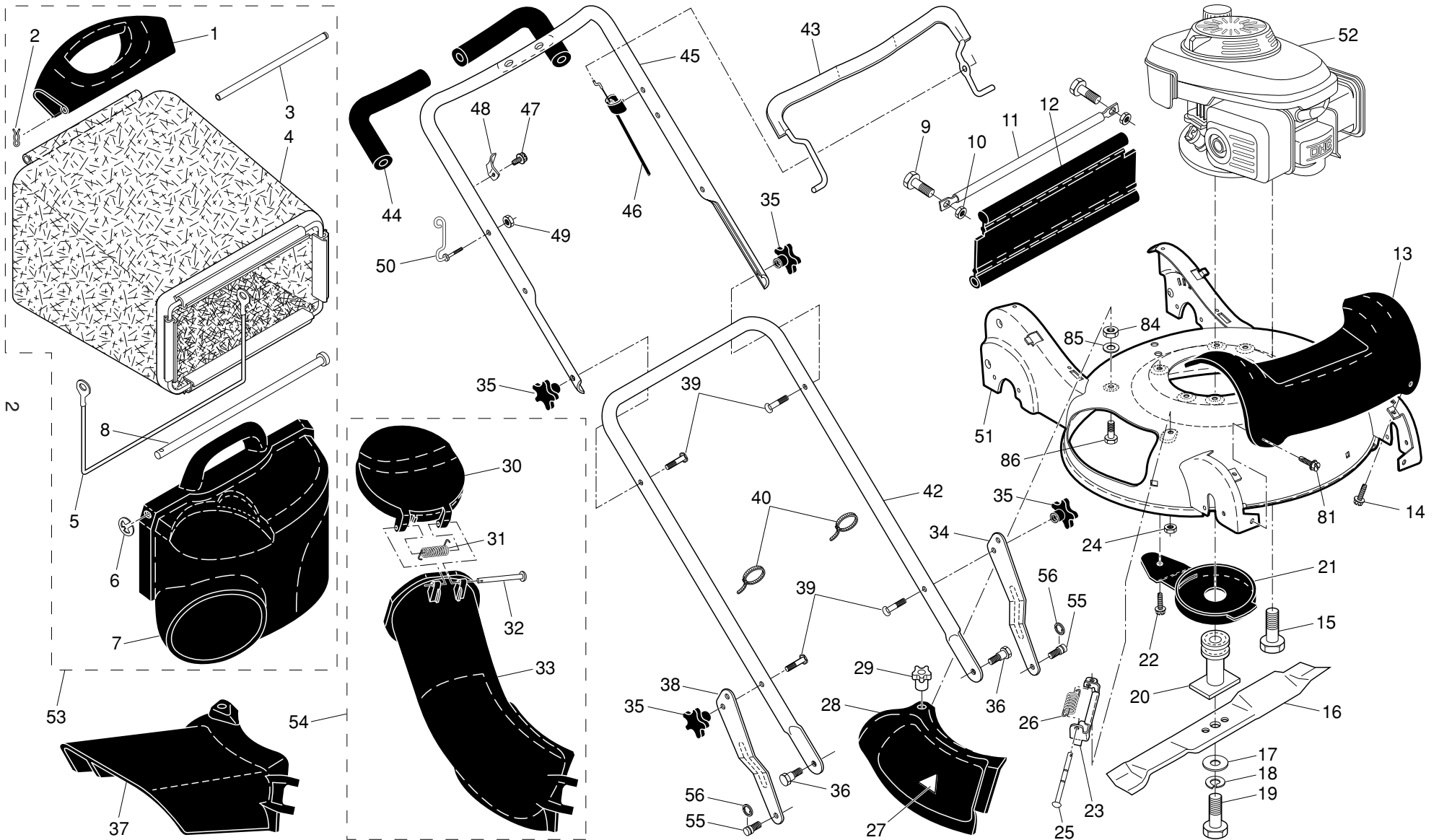


ROTARY LAWN MOWER - - MODEL NUMBER 7021RH (96143005600) PRODUCT NUMBER 961 43 00-56



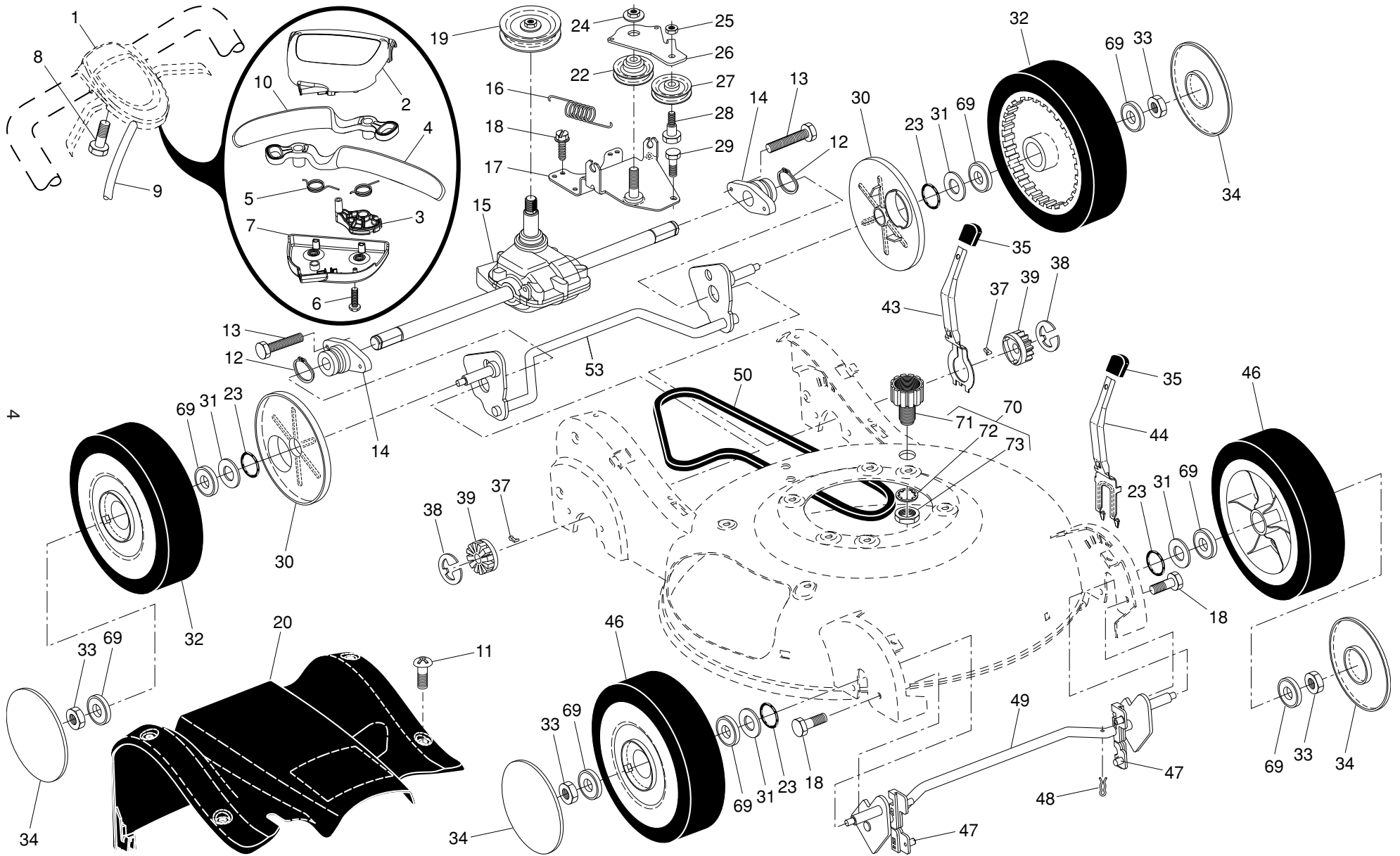
ROTARY LAWN MOWER - - MODEL NUMBER 7021RH (96143005600) PRODUCT NUMBER 961 43 00-56

KEY NO.	PART NO.	DESCRIPTION	KEY NO.	PART NO.	DESCRIPTION
1	532 19 05-82	Handle, Grassbag, Rear	31	532 18 34-78	Spring, Door, Discharge Chute
2	532 06 53-22	Hairpin Cotter	32	532 18 34-45	Rod, Door, Discharge Chute
3	532 18 34-83	Rod, Rear Handle, Grassbag	33	532 19 05-78	Discharge Chute, Plastic
4	532 19 47-36	Grassbag	34	532 18 74-25	Adjustment Bracket, Lower Handle, LH
5	532 18 85-06	Frame, Grassbag	35	532 18 23-98	Knob, Star
6	812 00 00-14	E-Ring	36	532 19 41-87	Bolt, Shoulder
7	532 19 05-81	Door, Grassbag	37	532 18 59-96	Deflector, Discharge
8	532 18 34-79	Rod, Pivot	38	532 18 74-26	Adjustment Bracket, Lower Handle, RH
9	872 14 04-05	Bolt	39	532 19 15-74	Bolt, Handle
10	873 80 04-00	Nut, Hex, Nylock 1/4-20	40	532 06 64-26	Wire Tie
11	532 19 06-92	Tube, Rear Skirt	42	532 18 70-96	Handle Assembly, Lower
12	532 19 64-74	Rear Skirt	43	532 42 68-12	Bail, Control
13	532 41 49-58	Cover, Front	44	532 18 27-48	Grip, Foam
14	532 19 94-22	Screw, Hex Washer Head	45	532 18 62-96	Handle Assembly, Upper (Includes Foam Grip)
15	532 15 04-06	Bolt, Engine Mounting	46	532 42 74-97	Cable, Engine Zone Control
16	532 15 92-67	Blade, 21"	47	532 75 06-34	Screw
17	532 85 10-74	Washer, Hardened	48	532 43 00-34	Bracket, Upstop
18	532 85 02-63	Washer, Lock	49	532 13 20-04	Nut, Hex
19	532 19 17-60	Bolt, Hex Head, Grade 8 3/8-24	50	532 18 85-01	Rope Guide
20	532 18 67-66	Adapter, Blade	51	532 43 08-83	Kit, Lawn Mower Housing Assembly
21	532 19 05-16	Debris Shield	52	- - -	Engine, Honda, Model Number GCV160-LAS3A (Order parts from Engine Manufacturer)
22	817 60 04-06	Screw, Hex Head, Serrated	53	532 19 47-35	Grassbag Assembly, Complete
23	532 18 36-09	Mounting Bracket, Mulcher Door	54	532 18 90-14	Discharge Chute Assembly, Complete
24	532 19 17-30	Nut, Hex	55	532 19 41-92	Stud, Shoulder, T45
25	532 18 34-45	Rod, Hinge	56	812 00 00-58	E-Ring, T45
26	532 18 34-46	Spring, Mulcher Door	81	532 19 41-89	Screw 13-16 x 5/8
27	532 40 47-63	Decal, Danger	84	532 40 01-00	Nut, Hex
28	532 19 05-15	Mulcher Door	85	532 85 02-63	Washer
29	532 18 34-47	Knob	86	872 11 04-07	Bolt, Hex Head
30	532 19 05-80	Door, Discharge Chute	- -	532 43 08-80	Opeator's Manual, English / French

NOTE: All component dimensions given in U.S. inches. 1 inch = 25.4 mm

IMPORTANT: Use only Original Equipment Manufacturer (O.E.M.) replacement parts. Failure to do so could be hazardous, damage your lawn mower and void your warranty.

ROTARY LAWN MOWER - - MODEL NUMBER 7021RH (96143005600) PRODUCT NUMBER 961 43 00-56



ROTARY LAWN MOWER - - MODEL NUMBER 7021RH (96143005600) PRODUCT NUMBER 961 43 00-56

KEY NO.	PART NO.	DESCRIPTION	KEY NO.	PART NO.	DESCRIPTION
1	532 43 36-99	Drive Control Assembly (Includes Cable)	27	532 16 60-43	Pulley
2	532 42 46-29	Cover, Drive Control, Top	28	532 16 08-29	Bolt, Hex Head, Shoulder
3	532 42 03-78	Cam, Drive Control	29	817 06 04-10	Screw 1/4-20 x 1/16
4	532 43 37-91	Lever, Drive Control, LH	30	532 18 34-57	Cover, Dust, Wheel
5	532 42 03-81	Spring, Drive Control	31	532 08 83-48	Washer, Flat 3/8
6	532 18 16-98	Screw, Torx Head #8 x 5/8	32	532 19 26-22	Wheel Assembly, Rear 9 x 2-1/4
7	532 43 37-96	Cover, Drive Control, Bottom	33	532 40 91-48	Nut, Hex
8	532 17 88-48	Screw	34	532 18 34-42	Hubcap
9	532 42 62-43	Cable, Drive Control	35	532 42 52-42	Knob
10	532 43 29-77	Lever, Drive Control, RH	37	532 40 48-45	Pawl
12	812 00 00-12	Ring, Retaining	38	812 00 00-58	E-Ring
13	532 08 86-52	Screw	39	532 40 38-49	Pinion
14	532 40 80-27	Bearing / Axle Support	43	532 19 05-20	Lever, Selector, Wheel Height, Rear
15	532 41 92-11	Gear Case Assembly, Complete	44	532 19 05-18	Lever, Selector, Wheel Height, Front
16	532 40 65-58	Spring, Return	46	532 19 22-32	Wheel Assembly, Front 9 x 2-1/4
17	532 40 80-05	Bracket, Gear Case / Drive Pulley	47	532 18 34-38	Bushing, Front Axle
18	532 16 34-09	Screw	48	532 16 96-75	Retainer, Hairpin Cotter
19	532 19 40-18	Pulley, Drive	49	532 19 64-69	Torque Shaft Assembly, Front
20	532 43 26-77	Drive Cover Assembly (Includes Mounting Screw and Pushnut)	50	532 40 80-31	Belt, Drive
22	532 19 37-91	Pulley Assembly, V-Groove	53	532 41 67-40	Rear Axle Assembly
23	532 19 74-80	O-Ring	69	532 75 10-68	Bearing, Ball (Wheel)
24	532 40 91-49	Nut, Hex, Flangelock	70	532 42 11-14	Water Washout Assembly
25	873 93 05-00	Nut, Hex, Lock	71	532 41 97-35	Fitting, Hose, Water Washout
26	532 41 67-36	Idler Arm	72	532 41 55-85	Washer, Lock, Internal Tooth
			73	532 41 55-86	Locknut, Hex, with O-Ring

NOTE: All component dimensions given in U.S. inches. 1 inch = 25.4 mm

IMPORTANT: Use only Original Equipment Manufacturer (O.E.M.) replacement parts. Failure to do so could be hazardous, damage your lawn mower and void your warranty.