



## Operating Instructions and Parts Manual Table Saw

Model: JWTS-10



### WMH TOOL GROUP

2420 Vantage Drive  
Elgin, Illinois 60124  
Ph.: 800-274-6848  
[www.wmhtoolgroup.com](http://www.wmhtoolgroup.com)

**Part No. M-708100**  
Revision B2 9/06  
Copyright © WMH Tool Group

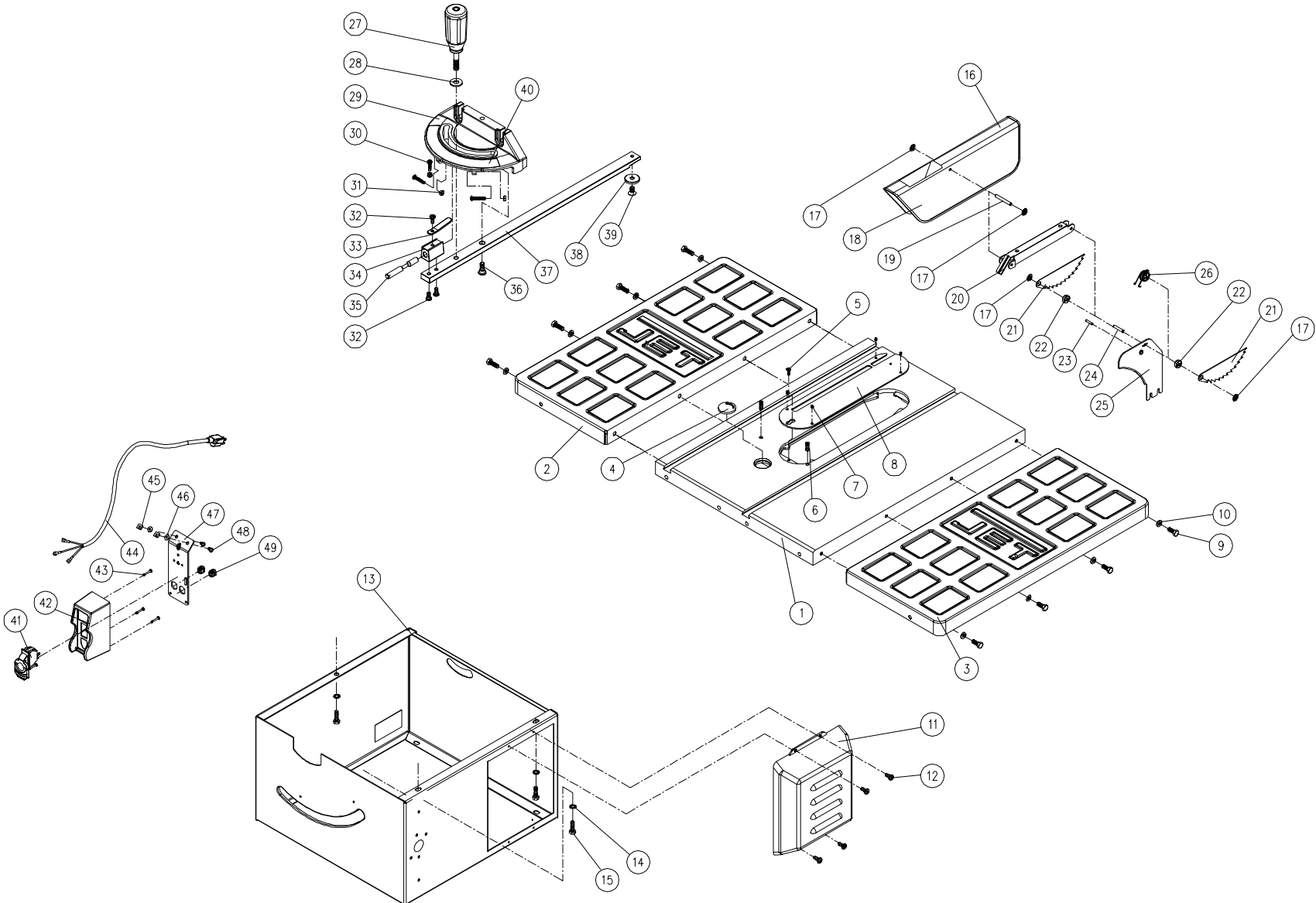
# Parts

## JWTS-10 Table and Cabinet Parts List

Index No.	Part No.	Description	Size	Qty
1	JWTS10-301	Table		1
2	JWTS10-302	Extension Wing, Left		1
3	JWTS10-303	Extension Wing, Right		1
4	JWTS10-304	Guide Line Plate		1
5	TS-2285121	Flat Head Screw	M5x12	1
6	TS-1524051	Set Screw	M8x20	2
7	TS-1522011	Set Screw	M5x5	4
8	JWTS10-308	Table Insert		1
9	TS-1490031	Hex Cap Screw *	M8x20	8
10	TS-2361081	Lock Washer *	M8	8
11	JWTS10-311	Cover		1
12	TS-1532032	Pan Head Screw	M4x10	4
13	JWTS10-313	Cabinet		1
14	JWTS10-172	External Tooth Lock Washer	M8	3
15	TS-1490021	Hex Cap Screw	M8x16	3
	JWTS10-BG	Blade Guard Assembly (#16 thru #26)		1
16	JWTS10-316	Warning Label		1
17	JWTS10-317	Push Nut		4
18	JWTS10-318	Blade Guard		1
19	JWTS10-319	Pin		1
20	JWTS10-320	Support Arm		1
21	JWTS10-321	Anti-Kickback Pawl		2
22	JWTS10-322	Bushing		2
23	JWTS10-323	Spring Pin	Ø4x20	1
24	JWTS10-324	Pin		1
25	JWTS10-325	Splitter		1
26	JWTS10-326	Spring		1
	JWTS10-MG	Miter Gauge Assembly (#27 thru #40)		1
27	JWTS10-327	Handle		1
28	TS-0680041	Flat Washer	3/8"	1
29	JWTS10-329	Miter Gauge Body		1
30	TS-2284202	Pan Head Screw	M4x20	3
31	TS-1540021	Hex Nut	M4	3
32	TS-1533032	Pan Head Screw	M5x10	1
33	JWTS10-333	Pointer		1
34	JWTS10-334	Bracket		1
35	JWTS10-335	Stop Pin		1
36	JWTS10-336	Screw		1
37	JWTS10-337	Miter Bar		1
38	JWTS10-338	Guide Washer		1
39	JWTS10-339	Flat Head Screw	M6x8	1
40	JWTS10-340	Scale		1
41	JWL1442-118	Switch		1
42	JWTS10-342	Switch Box		1
43	JWTS10-217	Self Tapping Screw	M4x8	3
44	JWTS10-344	Power Cord		1
45	JWTS10-242	Square Nut *		2
46	TS-1550041	Flat Washer *	M6	2
47	JWTS10-347	Switch Box Plate		1
48	TS-1534032	Pan Head Screw *	M6x10	2
49	JWTS10-349	Cord Strain Relief	SB8R-3	2

\* Refer to **Note** on page 32

JWTS-10 Table and Cabinet Exploded View



## Motor and Trunnion Assembly Parts List

Index No.	Part No.	Description	Size	Qty
1	VB-A31	Belt	A-31	1
2	JWTS10-102	Belt	125J	1
3	TS-2342102	Nylon Insert Lock Nut	M10-1.25P	1
4	TS-1550071	Flat Washer	M10	1
5	JWTS10-105	Pulley		1
6	JWTS10-106	Washer		1
7	BB-6202VV	Ball Bearing	6202-2NSE	2
8	JWTS10-108	Wave Washer	BWW-6202	1
9	JWTS10-109	Retaining Ring, External	STW-15	2
10	JWTS10-110	Pulley		1
11	BB-6002VV	Ball Bearing	6002-2NSE	2
12	JWTS10-112	Retaining Ring, External	STW-17	1
13	JWTS10-113	Shaft		1
14	JWTS10-114	Bearing Arm		1
15	JWTS10-115	Arbor		1
16	JWTS10-116	Key	5x5x8	1
17	TS-1541041	Nylon Insert Lock Nut	M10	1
18	TS-1550071	Flat Washer	M10	2
19	TS-1503091	Socket Head Cap Screw	M6x40	2
20	TS-1491031	Hex Cap Screw	M10x25	1
21	TS-2361101	Lock Washer	M10	1
22	JWTS10-122	Pin		1
23	JWTS10-123	Center Trunnion		1
24	JWTS10-124	Hex Flange Bolt	M6x40	1
25	JWTS10-125	Spring		1
26	TS-1550041	Flat Washer	M6	2
27	TS-1540041	Hex Nut	M6	2
28	TS-1541021	Nylon Insert Lock Nut	M6	4
29	JWTS10-129	Plate		2
30	TS-2210801	Hex Cap Screw	M10x80	1
31	JWTS10-131	Blade	10"x5/8"x28T	1
32	JWTS10-132	Flange		1
33	JWTS10-133	Arbor Nut	5/8"-12	1
34	JWTS10-134	Blade Dust Cover		1
35	JWTS10-135	Wing Screw	M5x30	4
36	990805	Self Tapping Screw	M4x10	2
37	JWTS10-137	Dust Chute		1
38	JWTS10-138	E-Clip	ETW-8	1
39	JWTS10-139	Bolt		1
40	JWTS10-140	Handle		1
41	JWTS10-141	Spring		1
42	JWTS10-142	Lock Washer		1
43	JWTS10-143	Guide Shaft		1
44	JWTS10-144	Knob *		1
45	JWTS10-145	Handle Cap		2
46	JWTS10-146	Handle		2
47	JWTS10-147	Shaft		2
48	JWTS10-148	Hand Wheel		1
49	JWTS10-149	Bushing *		1
50	TS-1502021	Socket Head Cap Screw	M5x10	2
51	JWTS10-151	Plate		1
52	JWTS10-152	E-Clip	ETW-12	2
53	JWTS10-153	Shaft		1
54	JWTS10-154	O-Ring	P12	2

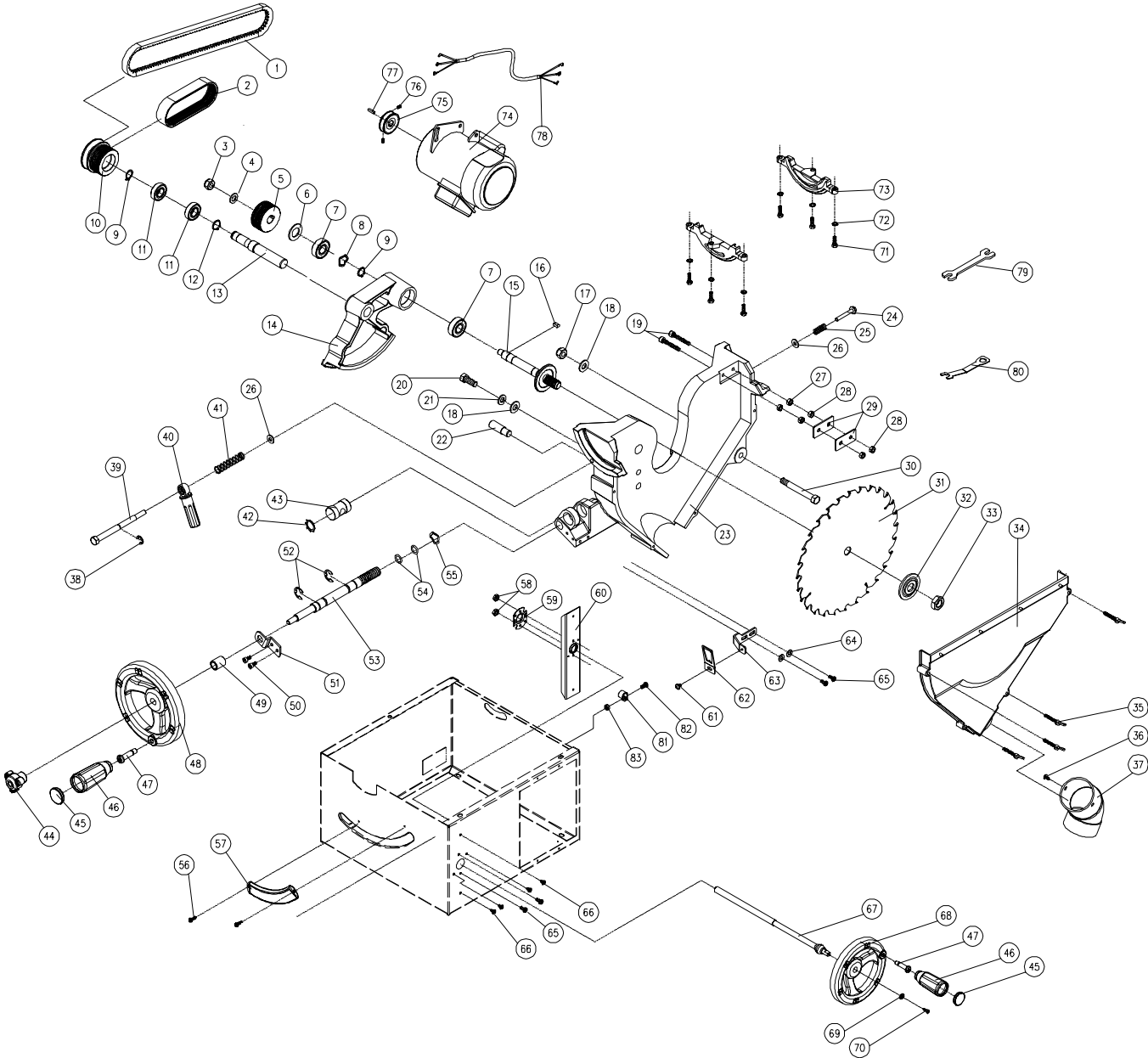
\* Refer to **Note** on page 32

## Motor and Trunnion Assembly Parts List

Index No.	Part No.	Description	Size	Qty
55	JWTS10-155	Wave Washer	WW-16	1
56	TS-1532042	Pan Head Screw	M4x12	2
57	JWTS10-157	Scale		1
58	TS-1540031	Hex Nut	M5	2
59	JWTS10-159	Collar		1
60	JWTS10-160	Support Bracket		1
61	TS-2284082	Pan Head Screw	M4x8	1
62	JWTS10-162	Pointer		1
63	JWTS10-163	Bracket		1
64	TS-1550031	Flat Washer	M5	2
65	TS-1533032	Pan Head Screw	M5x10	4
66	990805	Self Tapping Screw	M4x10	4
67	JWTS10-167	Shaft		1
68	JWTS10-168	Hand Wheel		1
69	TS-1551031	Lock Washer *	M5	1
70	TS-1502031	Socket Head Cap Screw *	M5x12	2
71	TS-1490041	Hex Cap Screw	M8x25	6
72	JWTS10-172	External Tooth Lock Washer	M8	6
73	JWTS10-173	Front & Rear Trunnion		2
74	JWTS10-174	Motor	1-1/2HP, 1Ph, 115/230V	1
	JWTS10-174MF	Motor Fan (not shown)		1
	JWTS10-174MFC	Motor Fan Cover (not shown)		1
	JWTS10-174CS	Centrifugal Switch (not shown)		1
	JWTS10-174SCC	Starting Capacitor Cover (not shown)		1
	JWTS10-174RCC	Running Capacitor Cover (not shown)		1
	JWTS10-174SC	Starting Capacitor (not shown)	200MFD, 250VAC	1
	JWTS10-174RC	Running Capacitor (not shown)	30uF, 350VAC	1
	JWTS10-174JB	Junction Box (not shown)		1
	JWTS10-174JBC	Junction Box Cover (not shown)		1
75	JWTS10-175	Pulley		1
76	TS-1523041	Set Screw	M6x12	2
77	JWTS10-177	Key	5x5x22	1
78	JWTS10-178	Motor Wire		1
79	JWTS10-179	Box Wrench *		1
80	JWTS10-180	Blade Locking Wrench *		1
81	JWTS10-181	Motor Cord Clamp		1
82	JWTS10-182	Pan Head Screw	M4x15	1
83	TS-1540021	Hex Nut	M4	1
	JWTS10-HP	Hardware Package (not shown)		

\* **Note:** Items indicated by an asterisk (\*) are included in Hardware Package JWTS10-HP

Motor and Trunnion Assembly Exploded View



## Fence and Rail Parts List

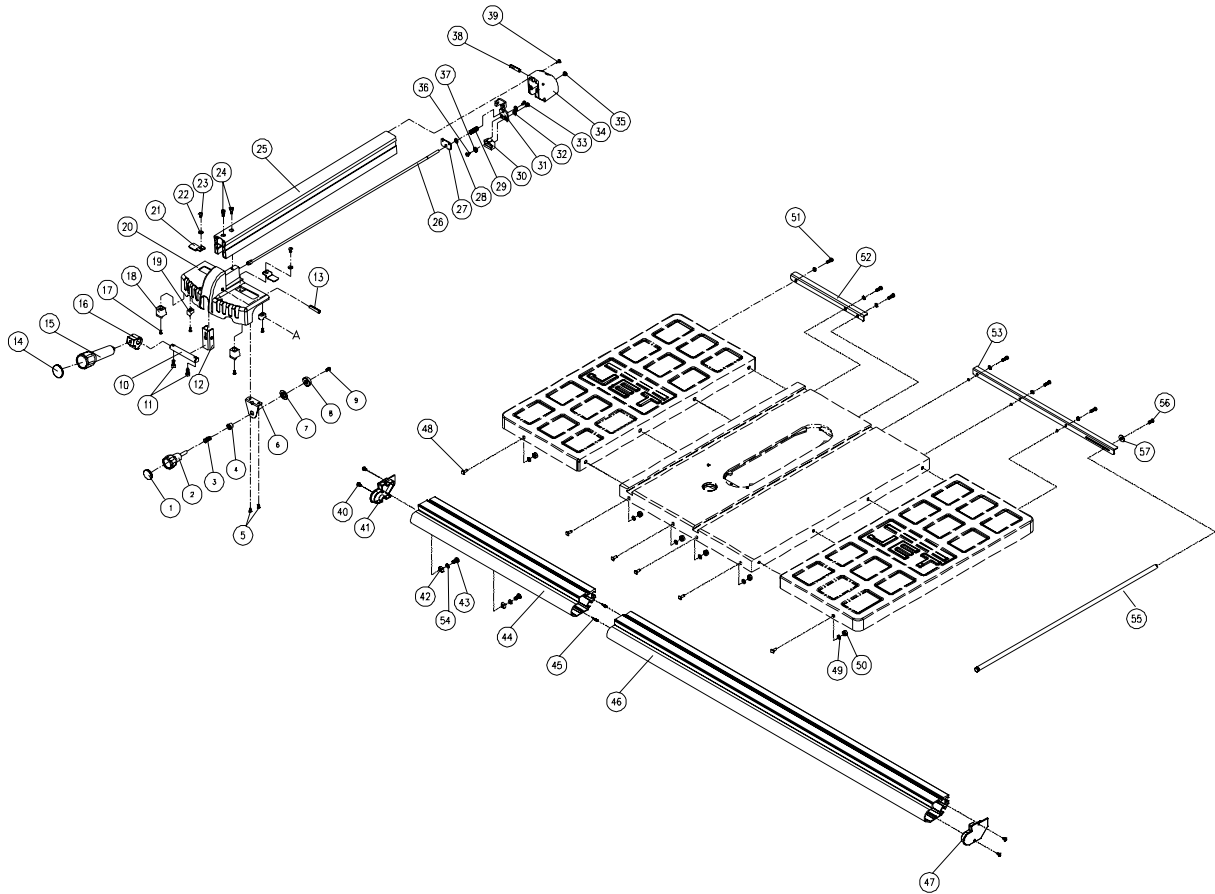
Index No.	Part No.	Description	Size	Qty
	JWTS10-FA	Fence Assembly (#1 thru #39)		1
1	JWTS10-201	Handle Cap		1
2	JWTS10-202	Micro Adjustment Handle		1
3	JWTS10-203	Spring		1
4	JWTS10-204	Bushing		1
5	JWTS10-205	Pan Head Screw	M5x8	2
6	JWTS10-206	Bracket		1
7	JWTS10-207	Push Nut		1
8	JWTS10-208	Rubber Wheel		1
9	TS-1533062	Pan Head Screw	M5x20	1
10	JWTS10-210	Shaft		1
11	TS-1503051	Socket Head Cap Screw	M6x20	2
12	JWTS10-212	Bracket		1
13	JWTS10-213	Spring Pin	Ø8x40	1
14	JWTS10-214	Handle Cap		1
15	JWTS10-215	Handle		1
16	JWTS10-216	Cam Block		1
17	JWTS10-217	Self Tapping Screw	M4x8	4
18	JWTS10-218	Slide Block		2
19	JWTS10-219	Block		2
20	JWTS10-220	Fence Body		1
21	JWTS10-221	Cursor		2
22	TS-1550031	Flat Washer	M5	2
23	JWTS10-205	Pan Head Screw	M5x8	2
24	TS-1503021	Socket Head Cap Screw	M6x10	2
25	JWTS10-225	Fence		1
26	JWTS10-226	Rod		1
27	JWTS10-227	Plate		1
28	TS-0680031	Flat Washer	5/16"	1
29	JWTS10-229	Spring		1
30	JWTS10-230	Rear Lock Block		1
31	JWTS10-231	Tightening Plate		1
32	TS-1550021	Flat Washer	M4	2
33	TS-1532032	Pan Head Screw	M4x10	2
34	JWTS10-234	Fence Rear Cover		1
35	TS-1540041	Hex Nut	M6	1
36	JWTS10-236	Mod. Screw		1
37	JWTS10-237	Washer		1
38	JWTS10-238	Spring Pin	Ø6x40	1
39	JWTS10-239	Self Tapping Screw	M4x16	4
40	990805	Self Tapping Screw	M4x10	4
41	JWTS10-241	Rail End Cover, Left		1
42	JWTS10-242	Square Nut	M6	2
43	TS-1534032	Screw	M6x10	2
44	JWTS10-244	Front Rail, Short		1
45	JWTS10-245	Adaptor Pin		2
46	JWTS10-246	Front Rail, Long		1
47	JWTS10-247	Rail End Cover, Right		1
48	JWTS10-248	Square Head Bolt *	M8x20	6
49	TS-2361081	Lock Washer *	M8	12
50	TS-1540061	Hex Nut *	M8	12
51	TS-1490031	Hex Cap Screw *	M8x20	6
52	JWTS10-252	Rear Rail, Short		1

\* Refer to **Note** on page 32

## Fence and Rail Parts List

Index No.	Part No.	Description	Size	Qty
53	JWTS10-253	Rear Rail, Long		1
54	TS-1550041	Flat Washer	M6	2
55	JWTS10-255	Support Rod		1
56	TS-1482021	Hex Cap Screw	M6x12	1
57	TS-1550041	Flat Washer	M6	1

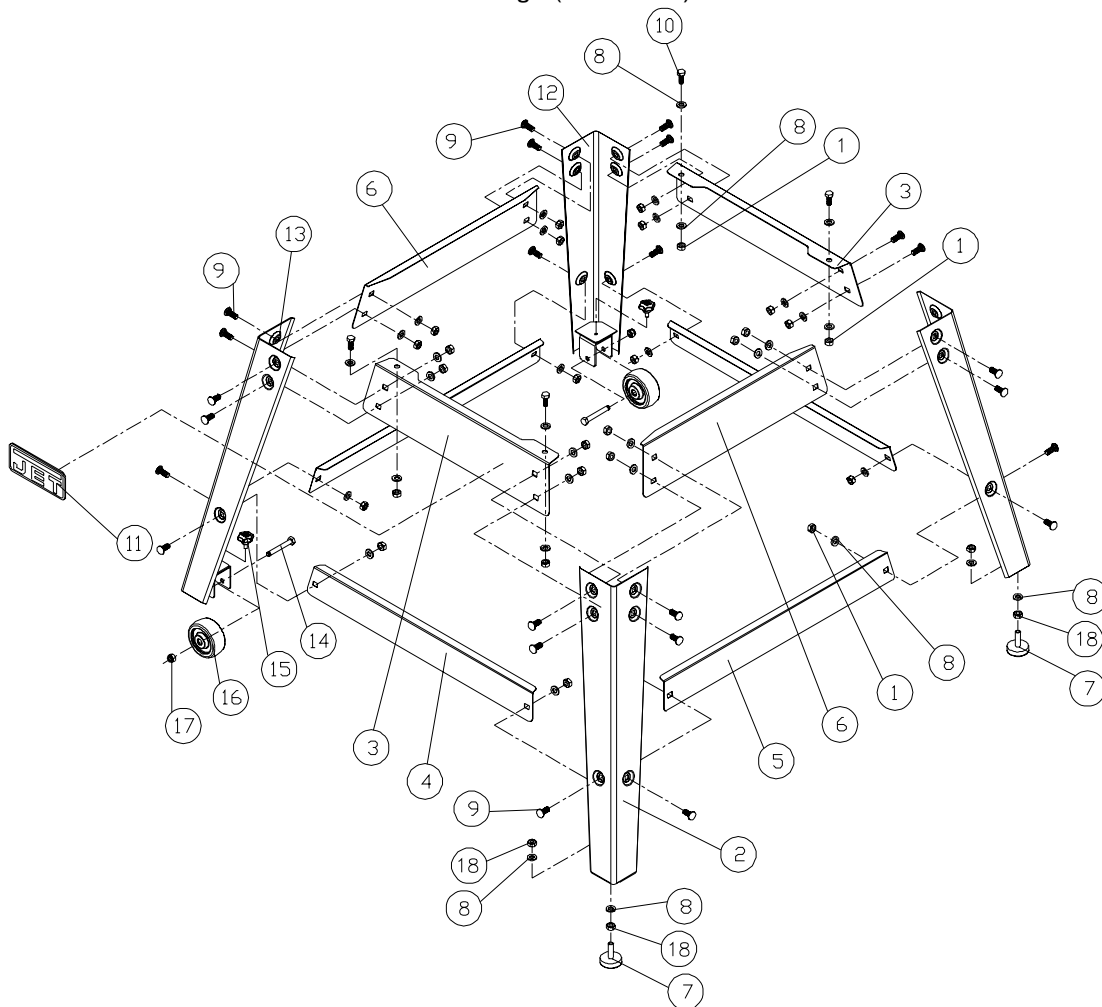
## Fence and Rail Exploded View





## Stand Assembly Parts List and Exploded View

Index No.	Part No.	Description	Size	Qty
1	TS-1540061	Hex Nut **	M8	28
2	JWTS10-402	Leg		2
3	JWTS10-403	Top Plate, Short		2
4	JWTS10-404	Support Plate, Short		2
5	JWTS10-405	Support Plate, Long		2
6	JWTS10-406	Top Plate, Long		2
7	JWTS10-407	Pad **		2
8	TS-1550061	Flat Washer **	M8	36
9	JWTS10-409	Carriage Bolt **	M8x12	24
10	TS-1490031	Hex Cap Screw **	M8x20	4
11	JWBS18-140	JET Nameplate		1
12	JWTS10-412	Caster Mount Leg, Rear		1
13	JWTS10-413	Caster Mount Leg, Front		1
14	TS-0060111	Hex Cap Screw **	3/8"-16x2.5"	2
15	JWTS10-415	Lock Knob **		2
16	JWTS10-416	Wheel **		2
17	TS-0640091	Nylon Insert Lock Nut **	3/8"-16	2
18	TS-0561021	Hex Nut **	5/16"-18	4
	JWTS10-SHP	Hardware Package (not shown)		



\*\* Included in JWTS10-SHP Stand Hardware Package