

Parts List

| Index No. | Part No. | Description | Size | Qty |
|-----------|----------------|---|--------------|-----|
| 1..... | TS-1541031 | Lock Nut..... | M8..... | 4 |
| 2..... | JJP12-002 | Washer..... | | 4 |
| 3..... | JJP12-003 | Outfeed Table Bracket Shaft..... | | 1 |
| 4..... | JJP12-004 | Outfeed Table Bracket, Right..... | | 1 |
| 5..... | TS-1504121 | Socket Head Cap Screw..... | M8x60 | 4 |
| 6..... | JJP12-006 | Eccentric Shaft | | 4 |
| 7..... | JJP12-007 | Table..... | | 2 |
| 8..... | JJP12-008 | Cutterhead Guard Assembly - Complete..... | | 1 |
| 9..... | JJP12-009 | Bracket..... | | 1 |
| 10..... | TS-1503071 | Socket Head Cap Screw..... | M6x30 | 2 |
| 11..... | JJP12-011 | Washer..... | H12 | 4 |
| 12..... | TS-2342121 | Lock Nut..... | M12..... | 4 |
| 13..... | TS-1503051 | Socket Head Cap Screw..... | M6x20 | 4 |
| 14..... | JJP12-014 | Adjusting Handle | | 2 |
| 15..... | JJP12-015 | Knob | | 2 |
| 16..... | JJP12-016 | Bracket Screw | | 2 |
| 17..... | JJP12-017 | Bracket Screw | | 2 |
| 18..... | JJP12-018 | Eccentric Shaft Bracket | | 2 |
| 19..... | JJP12-019 | Eccentric Shaft Clamp | | 2 |
| 20..... | JJP12-020 | Table Locking Shaft..... | | 2 |
| 21..... | TS-1540081 | Hex Nut..... | M12..... | 2 |
| 22..... | JJP12-022 | Outfeed Table Bracket, Left..... | | 1 |
| 23..... | TS-1524021 | Socket Set Screw | M8x10 | 8 |
| 24..... | JJP12-024 | Plastic Disc..... | D6 | 8 |
| 25..... | TS-1490051 | Hex Cap Screw | M8x30 | 6 |
| 26..... | TS-1550061 | Flat Washer..... | M8..... | 6 |
| 27..... | JJP12-027 | Table Support..... | | 2 |
| 28..... | JJP12-028 | Spring..... | | 2 |
| 29..... | TS-1490021 | Hex Cap Screw | M8x16 | 2 |
| 30..... | TS-1540061 | Hex Nut..... | M8..... | 3 |
| 31..... | JJP12-031 | Big Cam Wheel | | 1 |
| 32..... | TS-1522031 | Socket Set Screw | M5x10 | 1 |
| 33..... | JJP12-033 | Cutterhead Guard with Cap | | 1 |
| 34..... | TS-1524031 | Socket Set Screw | M8x12 | 8 |
| 61..... | JJP12-061 | Small Cam Wheel..... | | 1 |
| 62..... | JJP12-062 | Washer..... | H16 | 1 |
| 63..... | JJP12-063 | Dust Collector Assembly..... | | 1 |
| 64..... | JJP12-064 | Roll Pin..... | M5x18 | 1 |
| 65..... | JJP12-065 | Shaft | | 1 |
| 66..... | JJP12-062 | Washer..... | H16 | 1 |
| 67..... | BB-6205ZZ | Bearing..... | 6205ZZ | 2 |
| 68..... | 708821 | Knife (Set of 3) * | | 1 |
| 69..... | JJP12-069 | Knife Locking Bar * | | 3 |
| 70..... | JJP12-070 | Knife Locking Bar Screw * | | 15 |
| 71..... | JJP12-071 | Cutterhead (Straight Knife) * | | 1 |
| 71A | JJP12HH-071A | Cutterhead, Helical with Inserts ** | | 1 |
| 71B | 1791212..... | Knife Insert (set of 10) ** | | 56 |
| 71C | JWP208HH-111 | Knife Insert Screw ** | #10-32 x 1/2 | 56 |
| 71D | JJ6HH-113..... | Start Point Screwdriver (not shown) ** | | 2 |
| 72..... | TS-2246122 | Button Head Socket Screw | M6x12 | 4 |
| 73..... | JJP12-073 | Belt Cover | | 1 |
| 74..... | JJP12-074 | Screw | | 4 |
| 75..... | JJP12-075 | Spring..... | | 4 |
| 76..... | TS-1490021 | Hex Cap Screw | M8x16 | 4 |
| 77..... | TS-1540061 | Hex Nut..... | M8..... | 4 |

| Index No. | Part No. | Description | Size | Qty |
|-----------|------------|-----------------------------|----------|-----|
| 78 | TS-1491031 | Hex Cap Screw | M10x25 | 4 |
| 79 | TS-1550071 | Flat Washer | M10 | 4 |
| 80 | JJP12-080 | Adjusting Washer | | 48 |
| 81 | JJP12-081 | Anti-Kickback Finger | | 38 |
| 82 | JJP12-082 | Infeed Roller | | 1 |
| 83 | JJP12-083 | Anti-Kickback Shaft | | 1 |
| 84 | JJP12-084 | Cutterhead Cover | | 1 |
| 85 | JJP12-085 | Cutterhead Bracket, Right | | 1 |
| 86 | TS-1550041 | Flat Washer | M6 | 4 |
| 87 | TS-1503031 | Socket Head Cap screw | M6x12 | 4 |
| 88 | JJP12-088 | Cutterhead Bracket Cover | | 1 |
| 89 | TS-2246122 | Button Head Socket Screw | M6x12 | 2 |
| 90 | TS-2331061 | Cap Nut | M6 | 1 |
| 91 | JJP12-091 | Spring | | 1 |
| 92 | JJP12-092 | Stop Pin | | 1 |
| 93 | JJP12-093 | Support Rod | | 1 |
| 94 | JJP12-094 | Outfeed Roller | | 1 |
| 95 | JJP12-095 | Bushing | | 4 |
| 96 | JJP12-096 | Cutterhead Bracket, Left | | 1 |
| 97 | JJP12-097 | Wave Washer | D52 | 2 |
| 98 | JJP12-098 | Retaining Ring | CLP52 | 2 |
| 99 | JJP12-099 | Washer | | 2 |
| 100 | JJP12-100 | Drive Chain Sprocket | | 2 |
| 101 | JJP12-101 | Washer | WSH10 | 2 |
| 102 | TS-1541041 | Lock Nut | M10 | 2 |
| 103 | JJP12-103 | Socket Set Screw | M8x6 | 2 |
| 104 | JJP12-104 | Key | PLN6x16 | 1 |
| 105 | JJP12-105 | Spindle Pulley | | 1 |
| 106 | JJP12-106 | Washer | D52 | 2 |
| 131 | JJP12-131 | Carriage Bolt | N12x65 | 1 |
| 132 | JJP12-132 | Square Washer | | 1 |
| 133 | JJP12-133 | Bushing | | 1 |
| 135 | JJP12-135 | Bearing | BRG80101 | 1 |
| 136 | JJP12-136 | Chain Wheel | | 1 |
| 137 | TS-2342121 | Lock Nut | M12 | 1 |
| 138 | JJP12-138 | Pan Head Screw | M4x35 | 2 |
| 139 | TS-1541021 | Lock Nut | M6 | 2 |
| 140 | TS-1550041 | Flat Washer | M6 | 2 |
| 141 | JJP12-141 | Safety Switch | | 1 |
| 142 | JJP12-142 | Safety Switch Bracket | | 1 |
| 143 | TS-1541001 | Lock Nut | M4 | 2 |
| 144 | TS-1550041 | Washer | M6 | 4 |
| 145 | TS-1540041 | Hex Nut | M6 | 2 |
| 146 | JJP12-146 | Safety Switch Rocker | | 1 |
| 147 | JJP12-147 | Safety Switch Rocker Shaft | | 1 |
| 148 | TS-1503061 | Socket Head Cap Screw | M6x25 | 2 |
| 151 | JJP12-151 | Bolt | | 4 |
| 152 | TS-1540061 | Hex Nut | M8 | 4 |
| 153 | JJP12-153 | Outfeed Table Lock Handle | | 1 |
| 154 | JJP12-154 | Retaining Ring | CLP20 | 4 |
| 155 | JJP12-155 | Spring | | 2 |
| 156 | JJP12-156 | Direction Label (not shown) | | 1 |
| 157 | JJP12-157 | Switch | 230/60/1 | 1 |
| 158 | JJP12-158 | Pan Head Screw | | 2 |
| 159 | TS-1514021 | Flat Head Socket Screw | M6x16 | 2 |
| 160 | TS-2246122 | Button Head Socket Screw | M6x12 | 2 |
| 161 | JJP12-161 | Washer | H6 | 7 |

| Index No. | Part No. | Description | Size | Qty |
|-----------|--------------|-------------------------------------|----------------------|-----|
| 162 | JJP12-162 | Front Cover | | 1 |
| 163 | JJP12-163 | Handle | | 1 |
| 164 | JJP12-164 | Lock Knob | | 4 |
| 165 | JJP12-165 | Cabinet | | 1 |
| 166 | JJP12-166 | Infeed Table Lock Handle | | 1 |
| 167 | JJP12-167 | Infeed Scale, Inch | | 1 |
| 168 | JJP12-168 | Thickness Scale, Inch | | 1 |
| 169 | JJP12-169 | Washer | H8 | 2 |
| 170 | JJP12-170 | Retaining Ring | | 1 |
| 171 | JJP12-011 | Washer | H12 | 1 |
| 172 | TS-1504041 | Socket Head Cap Screw | M8x20 | 2 |
| 182 | JJP12-182 | Infeed Table Bracket Shaft | | 1 |
| 184 | JJP12-184 | Infeed Table Bracket, Right | | 1 |
| 190 | JJP12-190 | Infeed Table Bracket, Left | | 1 |
| 203 | TS-1504031 | Socket Head Cap Screw | M8x16 | 1 |
| 209 | TS-1504081 | Socket Head Cap Screw | M8x40 | 1 |
| 210 | JJP12-210 | Table Stopper | | 1 |
| 211 | TS-1540061 | Hex Nut | M8 | 3 |
| 221 | JJP12-221 | V-Belt for Cutterhead, 60Hz | | 1 |
| 222 | JJP12-222 | Drive Chain | | 1 |
| 223 | JJP12-223 | Cam Wheel Bracket * | | 1 |
| 223A | JJP12HH-223A | Cam Wheel Bracket, HH ** | | 1 |
| 224 | JJP12-224 | Cam Wheel Shaft | | 1 |
| 225 | JJP12-225 | Cam Wheel with Sprocket/Key * | | 1 |
| 225A | JJP12HH-225A | Cam Wheel with Sprocket/Key, HH ** | | 1 |
| 226 | JJP12-226 | Bushing | | 1 |
| 229 | JJP12-229 | Washer | | 1 |
| 230 | JJP12-230 | Retaining Ring | CLP15 | 1 |
| 231 | JJP12-231 | Retaining Ring | CLP10 | 2 |
| 232 | TS-1522031 | Socket Set Screw | M5x10 | 2 |
| 233 | JJP12-233 | Flat Belt Feed Roller Pulley * | | 1 |
| 233A | JJP12HH-233A | Flat Belt Feed Roller Pulley, HH ** | | 1 |
| 234 | JJP12-234 | Cam Wheel | | 1 |
| 235 | JJP12-235 | Bearing | BRG80100 | 2 |
| 236 | JJP12-236 | Bearing Spacer | | 1 |
| 238 | TS-1524031 | Socket Set Screw | M8x12 | 2 |
| 239 | JJP12-239 | Motor Pulley, 60Hz | | 1 |
| 240 | JJP12-240 | Flat Belt for Feed Roller * | | 1 |
| 240A | JJP12HH-240A | Flat Belt for Feed Roller, HH ** | | 1 |
| 241 | TS-1490041 | Hex Cap Screw | M8x25 | 4 |
| 242 | TS-1550061 | Flat Washer | M8 | 4 |
| 243 | JJP12-243 | Motor | 3HP, 230V, 60Hz, 1Ph | 1 |
| 244 | JJP12-244 | Washer | H8 | 4 |
| 245 | TS-2361081 | Lock Washer | M8 | 4 |
| 246 | TS-2331081 | Cap Nut | M8 | 4 |
| 247 | JJP12-247 | Capacitor 230/60/1 (not shown) | | 1 |
| 248 | JJP12-248 | Shaft | | 1 |
| 249 | TS-2361101 | Lock Washer | M10 | 1 |
| 250 | TS-1540071 | Hex Nut | M10 | 1 |
| 251 | JJP12-251 | Small Motor Pulley | | 1 |
| 252 | JJP12-252 | Plate * | | 1 |
| 252A | JJP12HH-252A | Plate, HH ** | | 1 |
| 253 | TS-2206601 | Hex Cap Screw | M6x60 | 1 |
| 254 | TS-1482051 | Hex Cap Screw | M6x25 | 2 |
| 255 | TS-1540041 | Hex Nut | M6 | 6 |
| 256 | TS-1550041 | Flat Washer | M6 | 2 |
| 288 | JJP12-288 | Indicator | | 1 |

| Index No. | Part No. | Description | Size | Qty |
|-----------|------------|---------------------------|----------|-----|
| 289 | TS-2246122 | Button Head Socket Screw | M6x12 | 1 |
| 290 | TS-1524031 | Socket Set Screw | M8x12 | 1 |
| 291 | JJP12-291 | Table Guide Bar | | 1 |
| 292 | TS-1503051 | Socket Head Cap screw | M6x20 | 2 |
| 293 | JJP12-293 | Guide Bar Bracket | | 2 |
| 294 | TS-1550041 | Flat Washer | M6 | 2 |
| 295 | TS-1540041 | Hex Nut | M6 | 2 |
| 297 | TS-1524031 | Socket Set Screw | M8x12 | 1 |
| 298 | JJP12-298 | Indicator Seat | | 1 |
| 299 | TS-2246202 | Button Head Socket Screw | M6x20 | 1 |
| 300 | JJP12-300 | Screw | | 2 |
| 301 | JJP12-301 | Cover | | 1 |
| 302 | JJP12-302 | Washer | | 2 |
| 303 | JJP12-303 | Nut | | 2 |
| 304 | JJP12-304 | Locking Bar | | 1 |
| 305 | JJP12-305 | Locking Shoe | | 1 |
| 306 | JJP12-306 | Crank Handle | | 1 |
| 307 | JJP12-307 | Hand Wheel | | 1 |
| 308 | TS-1503051 | Socket Head Cap Screw | M6x20 | 1 |
| 312 | JJP12-154 | Retaining Ring | CLP20 | 1 |
| 313 | JJP12-313 | Retaining Ring | | 1 |
| 314 | JJP12-314 | Washer | | 1 |
| 315 | JJP12-315 | Crank Bar | | 1 |
| 316 | TS-2246122 | Button Head Socket Screw | M6x12 | 2 |
| 317 | TS-1540041 | Flat Washer | M6 | 2 |
| 318 | JJP12-318 | Bevel Gear | | 2 |
| 319 | JJP12-319 | Retaining Ring | CLP35 | 1 |
| 320 | JJP12-320 | Bearing | BRG80202 | 1 |
| 321 | JJP12-321 | Bevel Gear Bracket | | 1 |
| 322 | TS-1550061 | Flat Washer | M8 | 5 |
| 323 | TS-1490061 | Hex Cap Screw | M8x35 | 2 |
| 324 | JJP12-324 | Thread Rod | | 1 |
| 325 | JJP12-325 | Bolt | M6x40 | 1 |
| 326 | TS-1540041 | Hex Nut | M6 | 1 |
| 327 | TS-1490061 | Hex Cap Screw | M8x35 | 2 |
| 329 | TS-1550061 | Flat Washer | M8 | 2 |
| 330 | JJP12-330 | Thread Rod Bracket | | 1 |
| 331 | JJP12-331 | Column Support | | 1 |
| 332 | TS-1550061 | Flat Washer | M8 | 4 |
| 333 | TS-1524051 | Socket Set Screw | M8x20 | 4 |
| 334 | TS-1490061 | Hex Cap Screw | M8x35 | 4 |
| 335 | JJP12-335 | Column | | 1 |
| 336 | TS-149105 | Hex Cap Screw | M10x35 | 2 |
| 337 | TS-2361101 | Lock Washer | M10 | 2 |
| 338 | JJP12-338 | Planer Table | | 1 |
| 339 | JJP12-339 | Scale Ring Assembly, Inch | | 1 |
| 368 | JJP12-368 | Hinge Pin | | 2 |
| 369 | JJP12-369 | Square Nut | M8 | 2 |
| 370 | TS-1541021 | Lock Nut | M6 | 2 |
| 371 | JJP12-371 | Fence Mounting Bracket | | 2 |
| 372 | TS-1504031 | Socket Head Cap Screw | M8x16 | 2 |
| 374 | TS-1514021 | Flat Head Socket Screw | M6x16 | 2 |
| 376 | JJP12-376 | Fence Support, Right | | 1 |
| 377 | JJP12-377 | Nylon Washer | | 10 |
| 378 | JJP12-378 | Carriage Bolt | M8x25 | 2 |
| 379 | TS-2246122 | Button Head Socket Screw | M6x12 | 6 |
| 380 | TS-1550041 | Flat Washer | M6 | 6 |

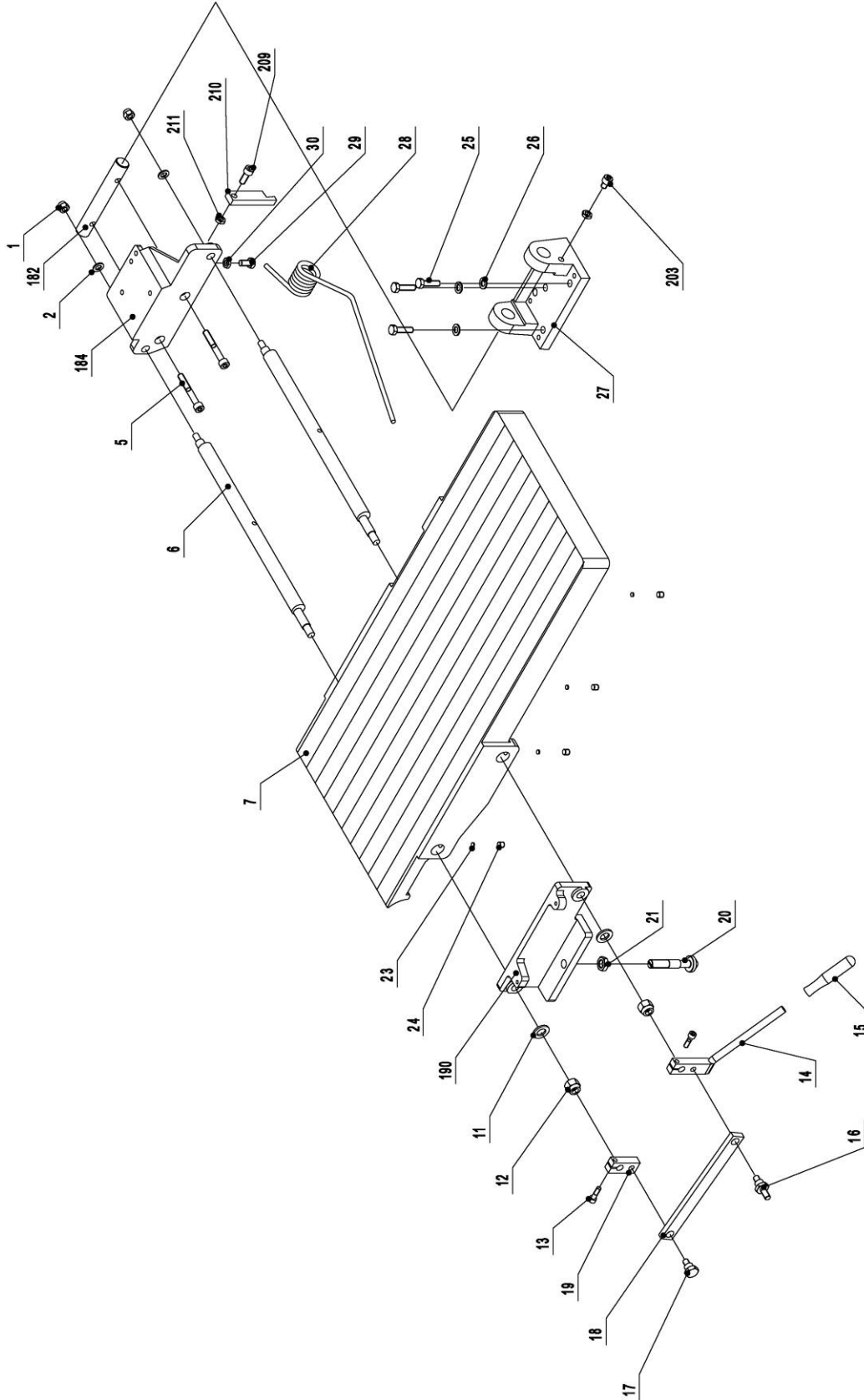
| Index No. | Part No. | Description | Size | Qty |
|-----------|------------|-------------------------|-------|-----|
| 381 | JJP12-381 | Cutterhead Cover | | 1 |
| 382 | TS-1541021 | Lock Nut | M6 | 4 |
| 383 | TS-1503031 | Socket Head Cap Screw | M6x12 | 4 |
| 384 | JJP12-384 | Fence Bracket, Left | | 1 |
| 385 | JJP12-385 | Locking Handle | | 3 |
| 386 | JJP12-386 | Special Washer | | 2 |
| 387 | JJP12-387 | Fence | | 1 |
| 388 | JJP12-388 | Fence Support, Left | | 1 |
| 389 | JJP12-389 | Fence Bracket, Right | | 1 |
| 390 | JJP12-390 | Fence Scale | | 1 |
| 391 | JJP12-391 | Complete Fence Assembly | | 1 |
| 392 | JPT410-392 | Locking Tube | | 2 |
| 393 | JPT410-393 | Set Screw | M8x50 | 2 |
| 394 | JPT410-394 | Nut | M8 | 2 |

* Indicates Straight Cutterhead Model Only

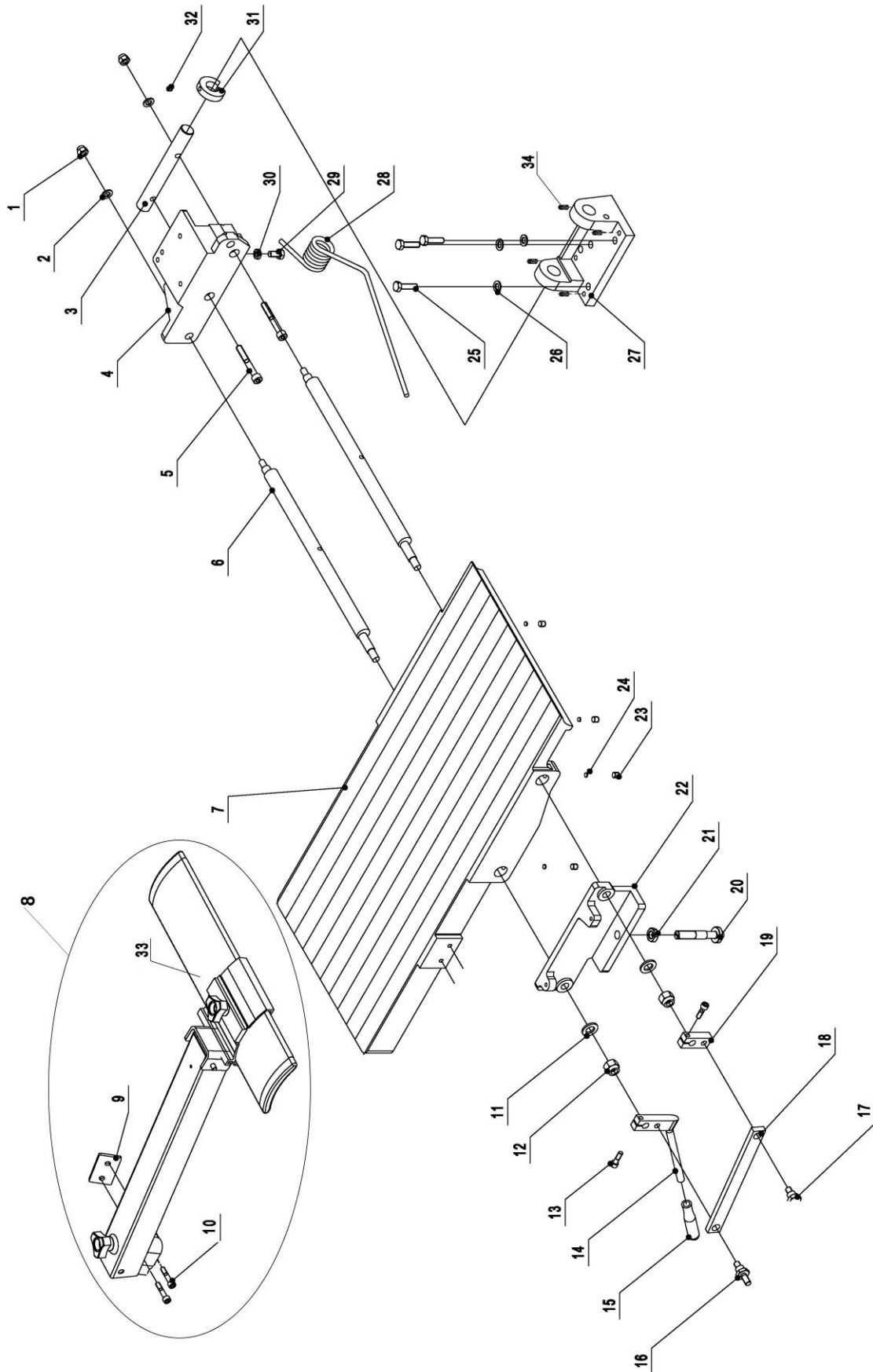
** Indicates Helical Cutterhead Model Only

Assembly Drawings

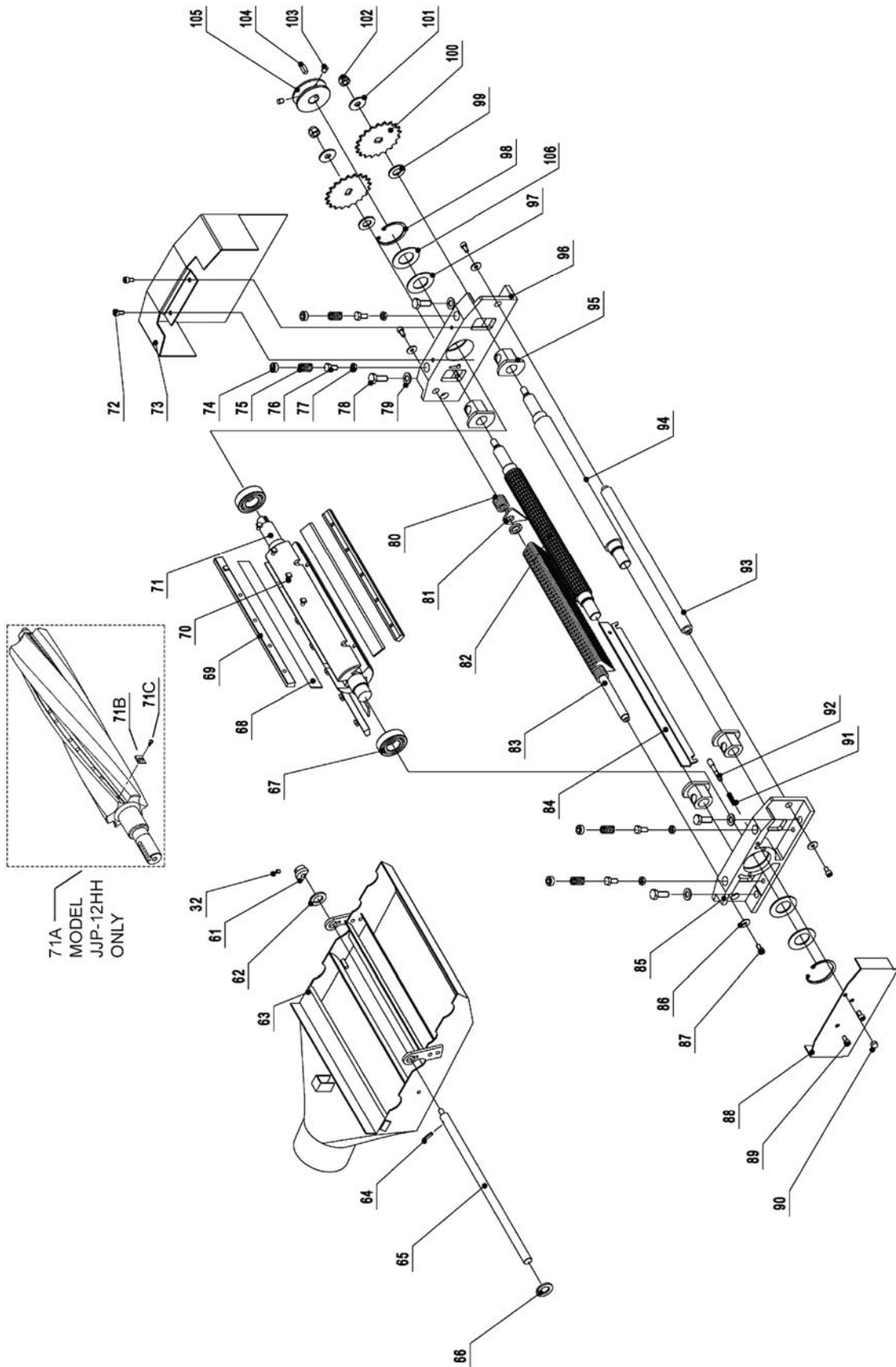
Infeed Table Assembly



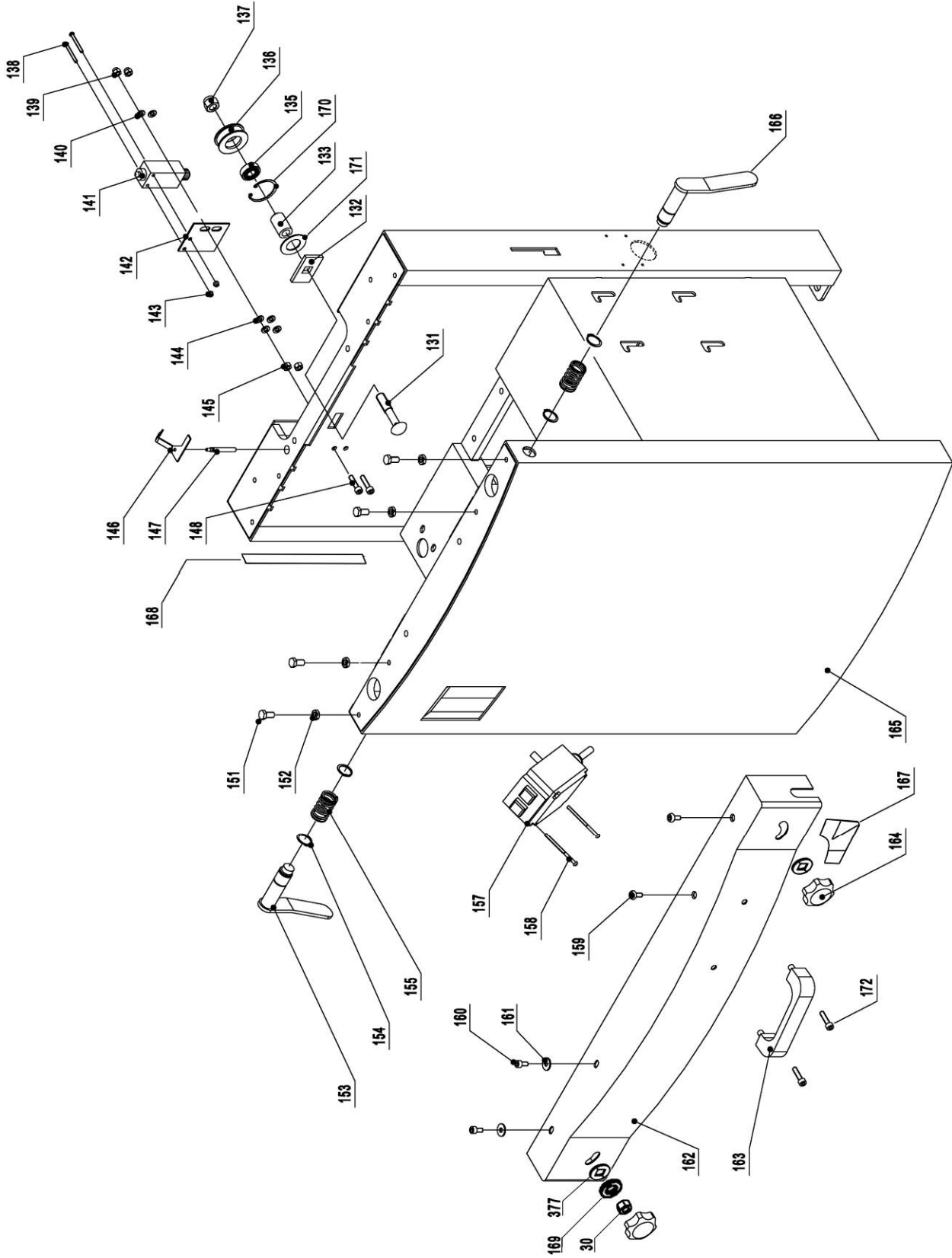
Outfeed Table Assembly



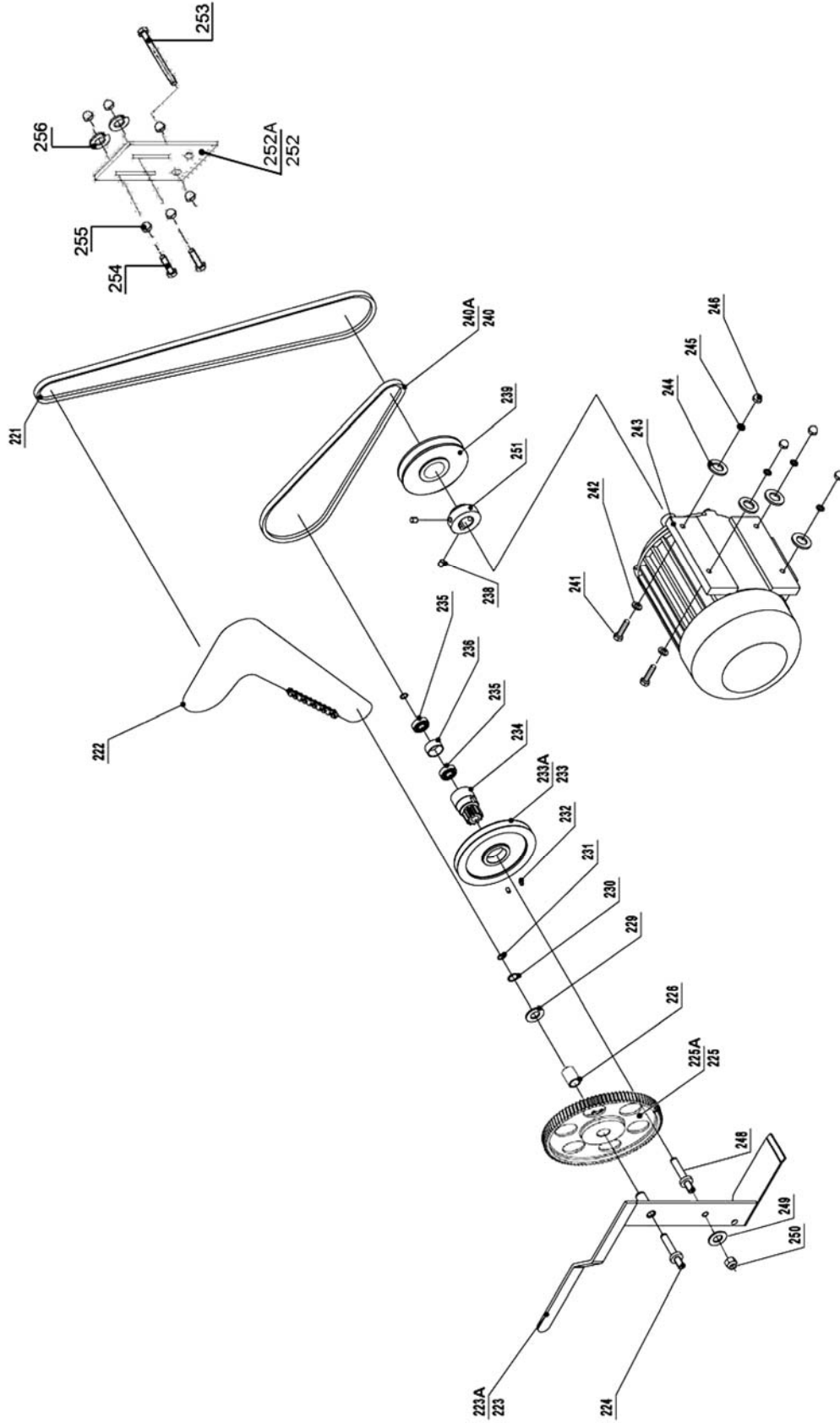
Cutterblock Assembly



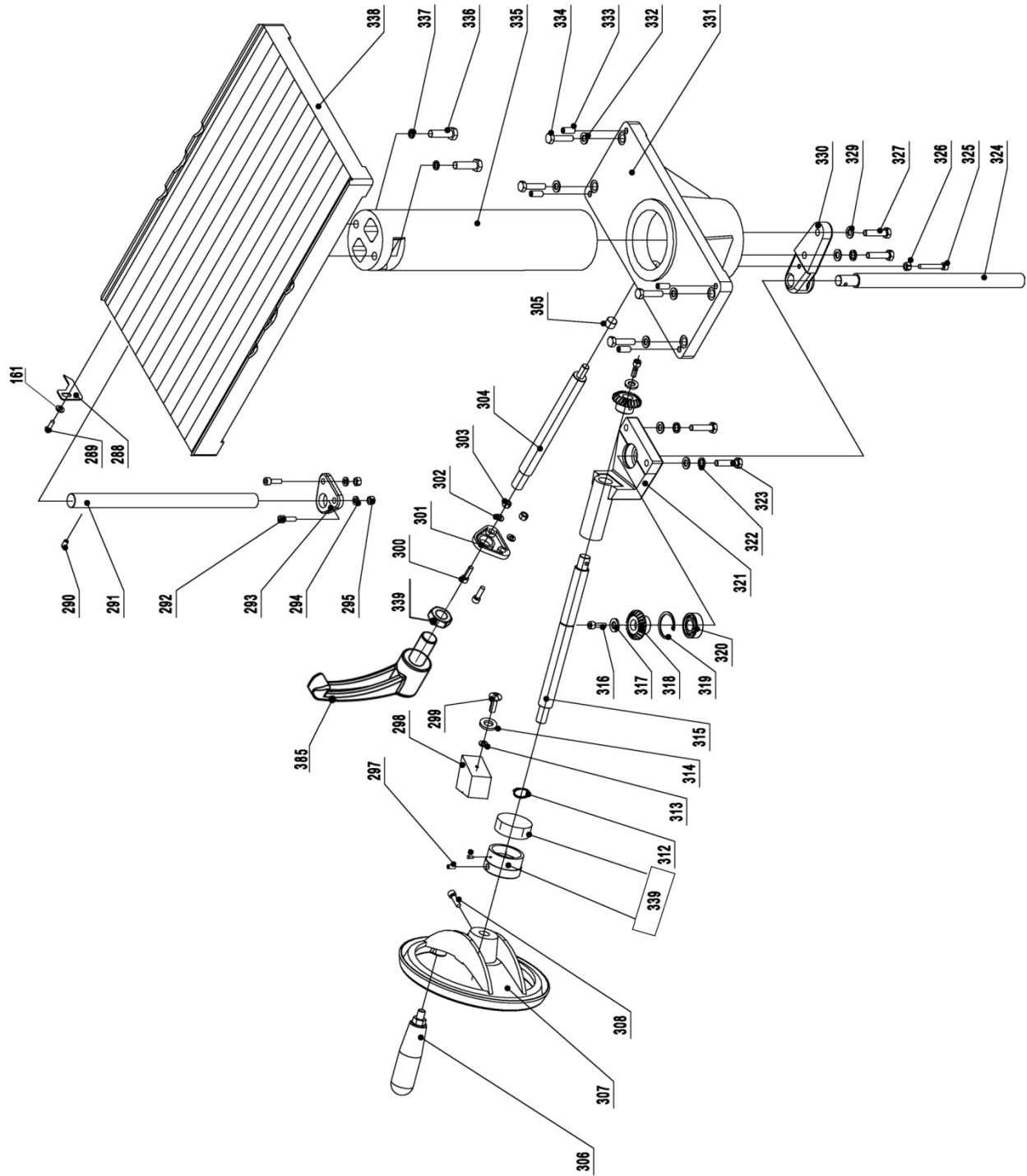
Base Assembly



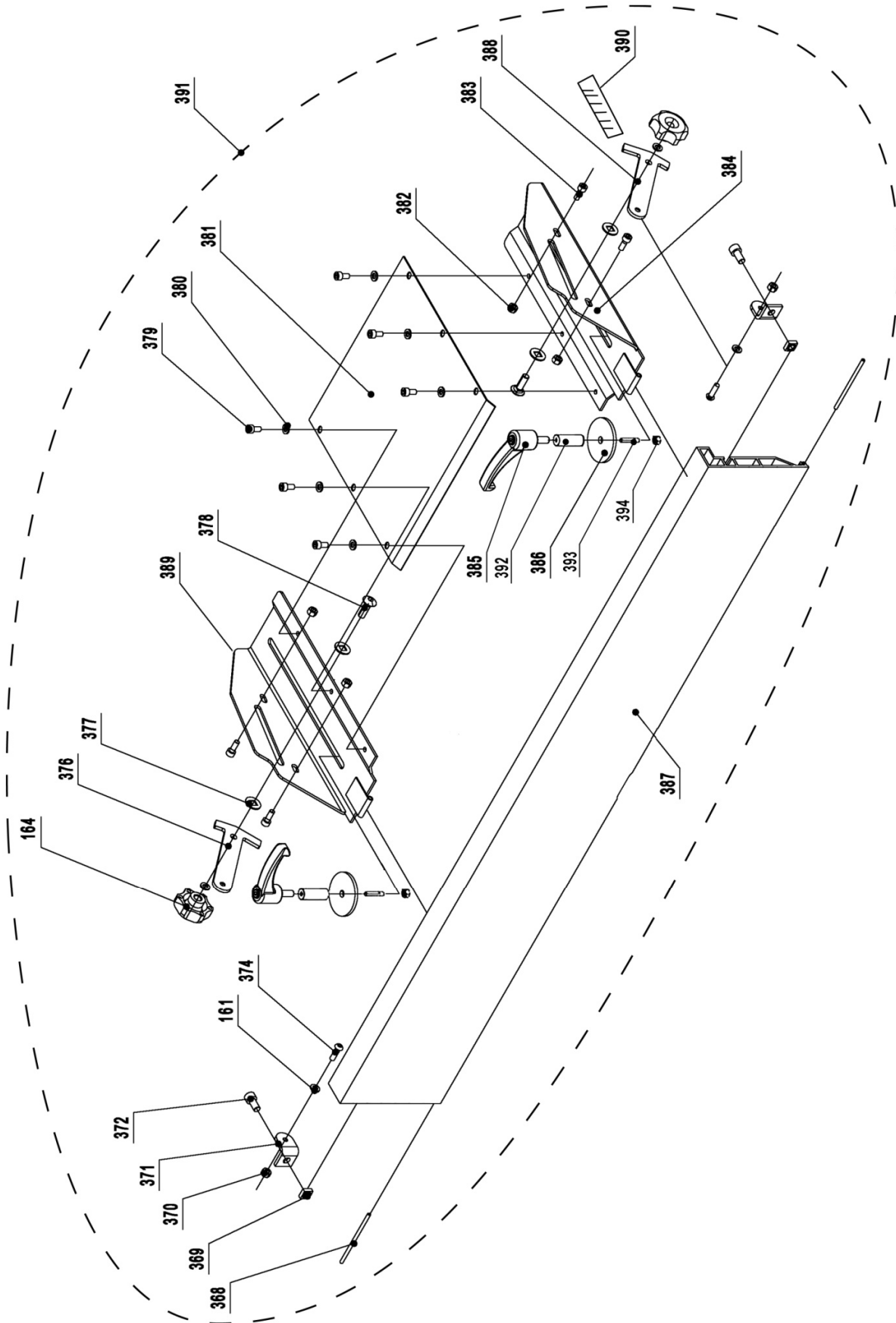
Motor Assembly



Planer Table Assembly



Fence Assembly



Electrical Connection

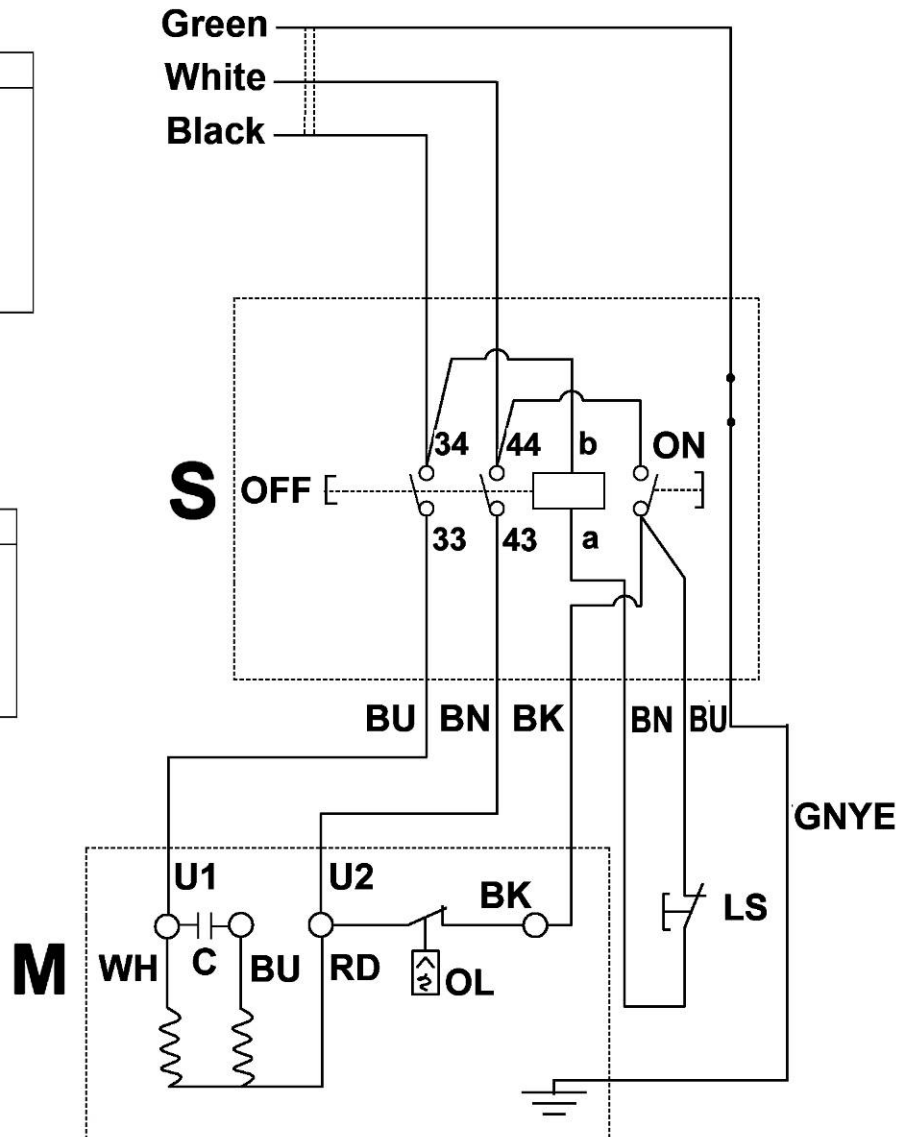
JJP-12

230V/60HZ/1

708475

| | colour of strands |
|------|-------------------|
| BK | black |
| WH | white |
| BU | blue |
| RD | red |
| BN | brown |
| GNYE | green-yellow |

| | meaning of symbol |
|----|-------------------|
| M | motor |
| S | switch |
| C | condenser |
| OL | overload cut-off |
| LS | limit switch |



Accessories

| Stock No | Description |
|----------|---|
| 708821 | Replacement Knives for JJP-12 Jointer-planer (set of 3) |
| 1791212 | Replacement Knife Inserts for JJP-12HH Jointer-Planer (set of 10) |
| 709207 | 13" Roller Stand |