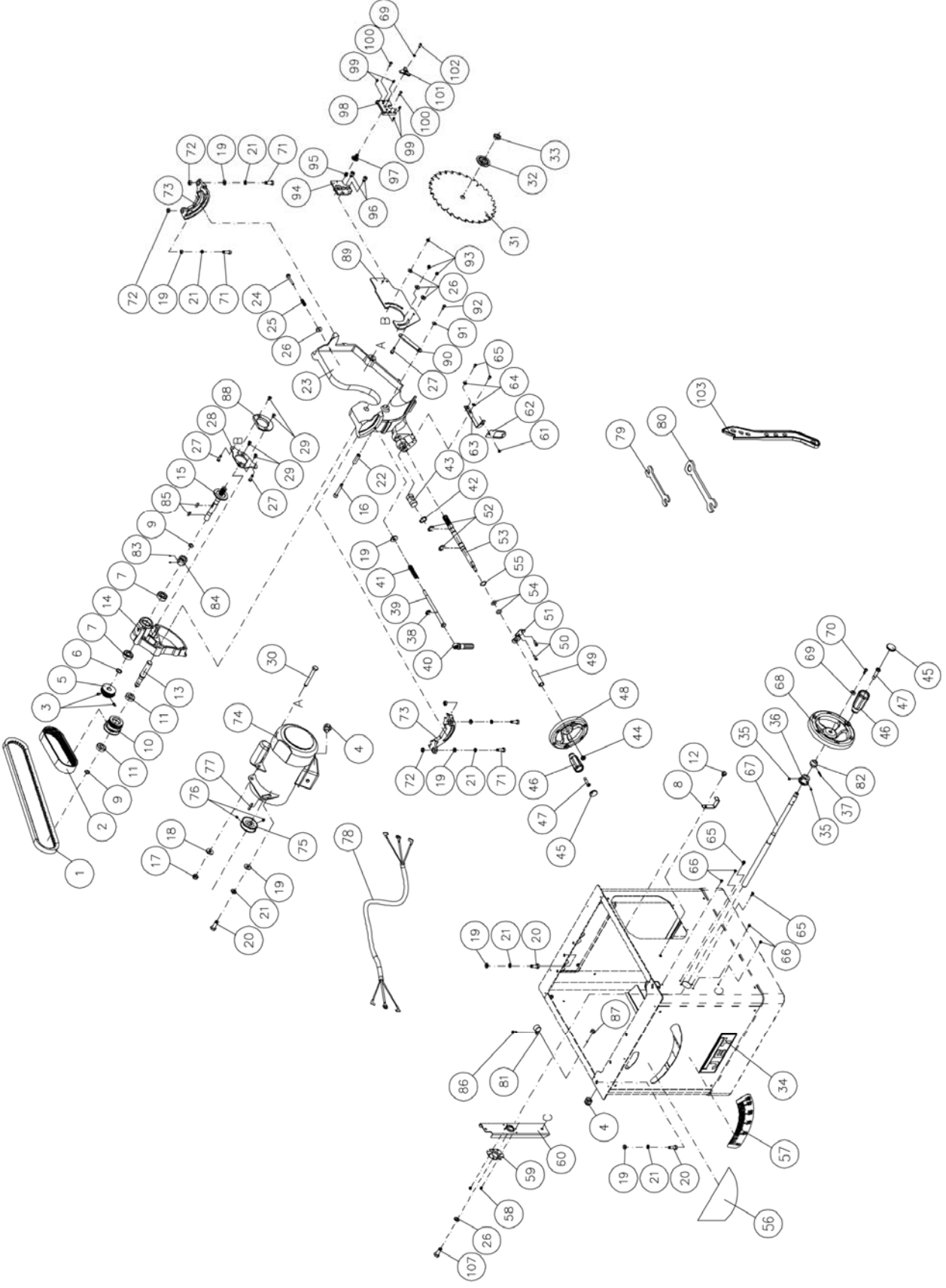


16.1.1 Motor and Trunnion – Exploded View



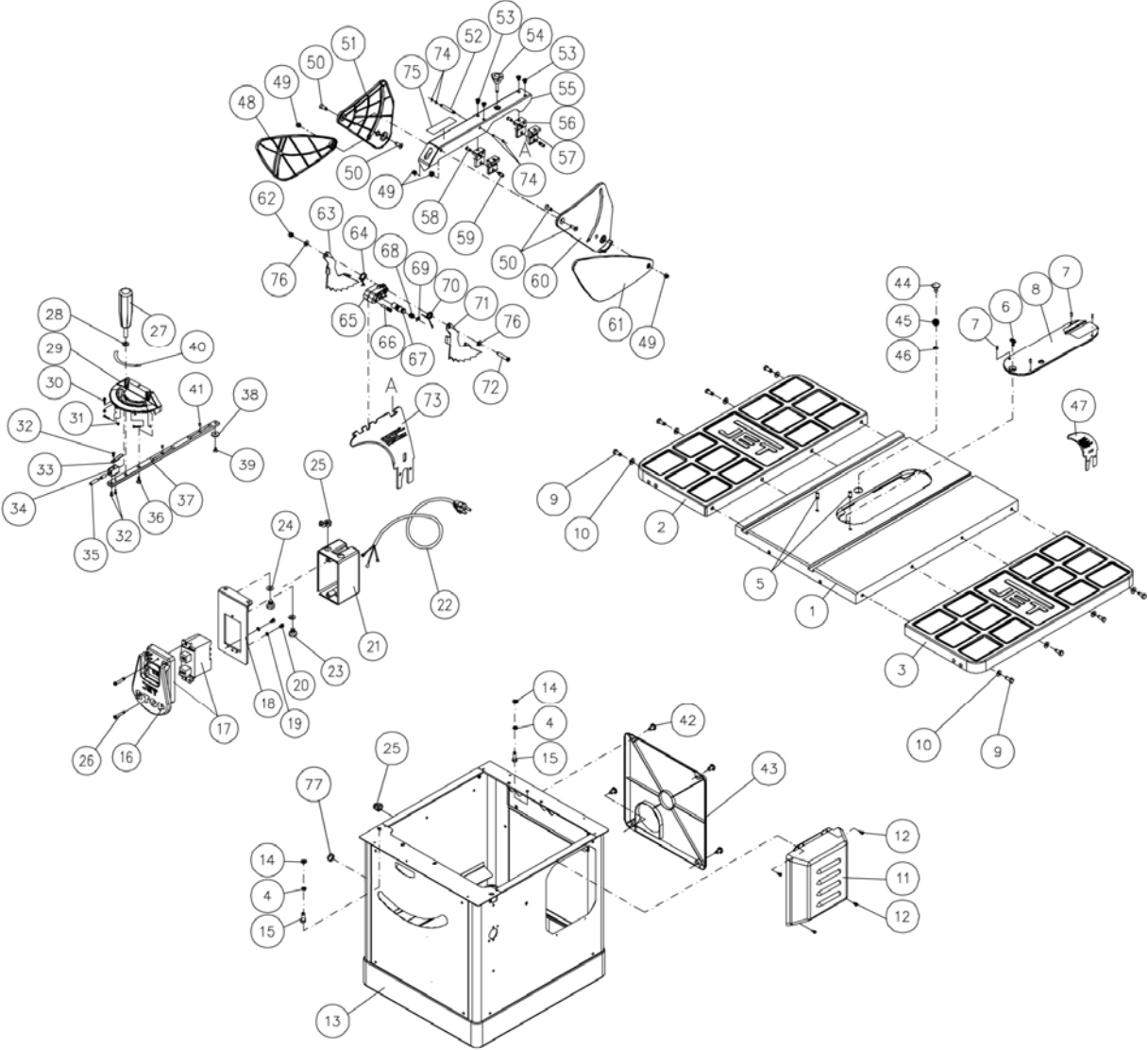
## 16.1.2 Motor and Trunnion – Parts List

| Index No | Part No      | Description                              | Size         | Qty |
|----------|--------------|--|--------------|-----|
| 1        | VB-A31       | V-Belt                                   | A-31         | 1   |
| 2        | JPS10TSR-102 | Belt                                     | 125J-6       | 1   |
| 3        | TS-1523031   | Socket Set Screw                         | M6 -1.0Px10  | 2   |
| 4        | JPS10TS-351  | Strain Relief                            | SB8R-3       | 2   |
| 5        | JPS10TSR-105 | Pulley                                   |              | 1   |
| 6        | JPS10TSR-106 | Washer                                   |              | 1   |
| 7        | BB-6202VV    | Ball Bearing                             | 6202-2NSE    | 2   |
| 8        | JPS10TSR-108 | Hook                                     |              | 1   |
| 9        | JWTS10-109   | Retaining Ring, External                 | STW-15       | 2   |
| 10       | JPS10TSR-110 | Pulley                                   |              | 1   |
| 11       | BB-6002VV    | Ball Bearing                             | 6002-2NSE    | 2   |
| 12       | TS-1490011   | Hex Cap Screw                            | M8-1.25Px12  | 1   |
| 13       | JPS10TSR-113 | Shaft                                    |              | 1   |
| 14       | JPS10TSR-114 | Bearing Arm                              |              | 1   |
| 15       | JPS10TSR-115 | Arbor                                    |              | 1   |
| 16       | TS-1504101   | Socket Head Cap Screw                    | M8-1.25Px50  | 1   |
| 17       | TS-1541041   | Nylon Lock Hex Nut                       | M10          | 1   |
| 18       | TS-1550071   | Flat Washer                              | M10          | 1   |
| 19       | TS-1550061   | Flat Washer                              | M8           | 9   |
| 20       | TS-1504041   | Hex Cap Screw                            | M8-1.25Px20  | 4   |
| 21       | TS-2361081   | Lock Washer                              | M8           | 8   |
| 22       | JPS10TSR-122 | Bushing                                  |              | 1   |
| 23       | JPS10TSR-123 | Center Trunnion                          |              | 1   |
| 24       | JWTS10-124   | Hex Flange Bolt                          | M6x40        | 1   |
| 25       | JWTS10-125   | Spring                                   |              | 1   |
| 26       | TS-1550041   | Flat Washer                              | M6           | 6   |
| 27       | TS-1482041   | Hex Cap Screw                            | M6-1.0Px20   | 3   |
| 28       | JPS10TSR-128 | Fixing Plate                             |              | 1   |
| 29       | TS-2286121   | Phillips Flat Head Machine Screw         | M6-1.0Px12   | 4   |
| 30       | TS-2210801   | Hex Cap Screw                            | M10x80       | 1   |
| 31       | JPS10TSR-131 | Blade                                    | 10"x5/8"x40T | 1   |
| 32       | JWTS10-132   | Flange                                   |              | 1   |
| 33       | JWTS10-133   | Arbor Nut                                | 5/8"-12      | 1   |
| 34       | JETLOGO-1    | JET Logo Plate                           |              | 1   |
| 35       | TS-1522011   | Socket Set Screw                         | M5x6         | 2   |
| 36       | JPS10TS-136  | Fixing Ring                              |              | 1   |
| 37       | JPS10TS-137  | Spring Pin                               | Ø4x18        | 1   |
| 38       | JWTS10-138   | E-Clip                                   | ETW-8        | 1   |
| 39       | JPS10TSR-139 | Bolt                                     |              | 1   |
| 40       | JWTS10-140   | Handle                                   |              | 1   |
| 41       | JWTS10-141   | Spring                                   |              | 1   |
| 42       | JPS10TSR-141 | Retaining Ring                           | RTW-24       | 1   |
| 43       | JWTS10-143   | Guide Shaft                              |              | 1   |
| 44       | JPS10-144    | Knob                                     |              | 1   |
|          | JPS10TS-FHA  | Front Hand Wheel Assembly (#45 thru #48) |              | 1   |
| 45       | JWTS10-145   | Handle Cap                               |              | 2   |
| 46       | JWTS10-146   | Handle                                   |              | 2   |
| 47       | JWTS10-147   | Shaft                                    |              | 2   |
| 48       | JPS10TS-148  | Hand Wheel                               |              | 1   |
| 49       | JPS10TSR-149 | Bushing                                  |              | 1   |
| 50       | TS-1502031   | Socket Head Cap Screw                    | M5x12        | 3   |
| 51       | JWTS10-151   | Plate                                    |              | 1   |
| 52       | JWTS10-152   | E-Clip                                   | ETW-12       | 2   |
| 53       | JPS10TSR-153 | Shaft                                    |              | 1   |
| 54       | JWTS10-154   | O-Ring                                   | P12          | 2   |

| Index No | Part No          | Description                                  | Size                   | Qty |
|----------|------------------|--|------------------------|-----|
| 55       | JWTS10-155       | Wave Washer                                  | WW-16                  | 1   |
| 56       | LM000636         | Warning Label                                |                        | 1   |
| 57       | JPS10TSR-157     | Angle Scale                                  |                        | 1   |
| 58       | TS-1541011       | Nylon Lock Hex Nut                           | M5                     | 2   |
| 59       | JWTS10-159       | Collar                                       |                        | 1   |
| 60       | JPS10TSR-160     | Support Bracket                              |                        | 1   |
| 61       | TS-2284082       | Phillips Pan Head Machine Screw              | M4x8                   | 1   |
| 62       | JPS10TS-162      | Pointer                                      |                        | 1   |
| 63       | JPS10TSR-163     | Bracket                                      |                        | 1   |
| 64       | TS-1550031       | Flat Washer                                  | M5                     | 2   |
| 65       | TS-1533042       | Phillips Pan Head Machine Screw              | M5x12                  | 4   |
| 66       | 990805           | Self Tapping Screw                           | M4x10                  | 4   |
| 67       | JPS10TS-167      | Shaft  |                        | 1   |
|          | JPS10TS-SHA      | Side Hand Wheel Assembly (#68, #45 thru #47) |                        | 1   |
| 68       | JPS10TS-168      | Hand Wheel                                   |                        | 1   |
| 69       | TS-1551031       | Lock Washer                                  | M5                     | 2   |
| 70       | TS-1502031       | Socket Head Cap Screw                        | M5x12                  | 2   |
| 71       | TS-1490041       | Hex Cap Screw                                | M8x25                  | 4   |
| 72       | TS-1540061       | Hex Nut                                      | M8                     | 4   |
| 73       | JPS10TSR-173     | Front & Rear Trunnion                        |                        | 2   |
| 74       | JPS10TSR-174     | Motor  | 1-3/4HP, 1Ph, 115/230V | 1   |
|          | JPS10TSR -174MF  | Motor Fan (not shown)                        |                        | 1   |
|          | JPS10TSR-174MFC  | Motor Fan Cover (not shown)                  |                        | 1   |
|          | JPS10TSR -174CS  | Centrifugal Switch (not shown)               |                        | 1   |
|          | JPS10TSR -174SCC | Starting Capacitor Cover (not shown)         |                        | 1   |
|          | JPS10TSR-174RCC  | Running Capacitor Cover (not shown)          |                        | 1   |
|          | JPS10TSR-174SC   | Starting Capacitor (not shown)               | 200MFD, 125VAC         | 1   |
|          | JPS10TSR-174RC   | Running Capacitor (not shown)                | 35µF, 300VAC           | 1   |
|          | JPS10TSR-174JB   | Junction Box (not shown)                     |                        | 1   |
|          | JPS10TSR-174JBC  | Junction Box Cover (not shown)               |                        | 1   |
|          | JPS10TS-174OL    | Overload                                     |                        | 1   |
|          | JPS10TSR-174DC   | Dust Cover                                   |                        | 1   |
| 75       | JPS10TSR-175     | Pulley                                       |                        | 1   |
| 76       | TS-1523041       | Socket Set Screw                             | M6x12                  | 2   |
| 77       | JPS10TSR-177     | Key  | 5x5x22                 | 1   |
| 78       | JPS10TSR-178     | Motor Wire                                   |                        | 1   |
| 79       | JBOS5-106        | Open end Wrench                              | #10 - #12              | 1   |
| 80       | JPS10TSR-180     | Blade Open End Wrench                        | #23                    | 1   |
| 81       | JPS10TS-181      | Motor Cord Clamp                             |                        | 2   |
| 82       | JPS10TS-182      | Turning Ball                                 |                        | 1   |
| 83       | TS-1521011       | Socket Set Screw                             | M4x4                   | 2   |
| 84       | JPS10TS-184      | Stop Collar                                  |                        | 1   |
| 85       | JPS10TS-185      | Key  | 5x5x18                 | 2   |
| 86       | TS-1532042       | Phillips Pan Head Machine Screw              | M4x12                  | 2   |
| 87       | TS-1540021       | Hex Nut                                      | M4                     | 3   |
| 88       | JPS10TSR-188     | Plate  |                        | 1   |
| 89       | JPS10TSR-189     | Extension Plate                              |                        | 1   |
| 90       | JPS10TSR-190     | Bar  |                        | 1   |
| 91       | JPS10TSR-191     | Washer                                       |                        | 1   |
| 92       | TS-1481031       | Hex Cap Screw                                | M5-0.8x12              | 1   |
| 93       | TS-1541021       | Nylon Lock Hex Nut                           | M6-1.0P                | 3   |
| 94       | JPS10TSR-194     | Riving Knife Clamp Base                      |                        | 1   |
| 95       | JPS10TSR-195     | Spring                                       |                        | 1   |
| 96       | TS-1504021       | Socket Head Cap Screw                        | M8-1.25Px12            | 2   |
| 97       | JPS10TSR-197     | Bolt   |                        | 1   |
| 98       | JPS10TSR-198     | Riving Knife Clamp Plate                     |                        | 1   |
| 99       | JPS10TSR-199     | Nylon Set Screw                              | M6-1.0Px8              | 4   |
| 100      | TS-1533052       | Phillips Pan Head Machine Screw              | M5-0.8Px16             | 2   |
| 101      | JPS10TSR-101     | Lock Knob                                    |                        | 1   |

| <b>Index No</b> | <b>Part No</b> | <b>Description</b>                                    | <b>Size</b> | <b>Qty</b> |
|-----------------|----------------|---|-------------|------------|
| 102             | TS-2245122     | Socket Head Button Screw                              | M5-0.8Px12  | 1          |
| 103             | JPS10TSR-103   | Push Block  |             | 1          |
| 104             | JPS10TSR-104   | Open End Wrench (not shown)                           | #11 - #13   | 1          |
| 105             | JPS10TSR-105   | Angle Wrench (not shown)                              | 2.5mm       | 1          |
| 106             | TS-152705      | Angle Wrench (not shown)                              | 4mm         | 1          |
| 107             | JPS10TSR-107   | Nylon Socket Head Cap Screw                           | M6x15       | 1          |
|                 | STRIPE-1-3/4   | JET Stripe (not shown)                                | 1-3/4" w.   | per ft.    |
|                 | JPS10TSR-HP    | Hardware Package (see section 8.1 for included items) |             | 1          |

16.2.1 Table and Cabinet – Exploded View

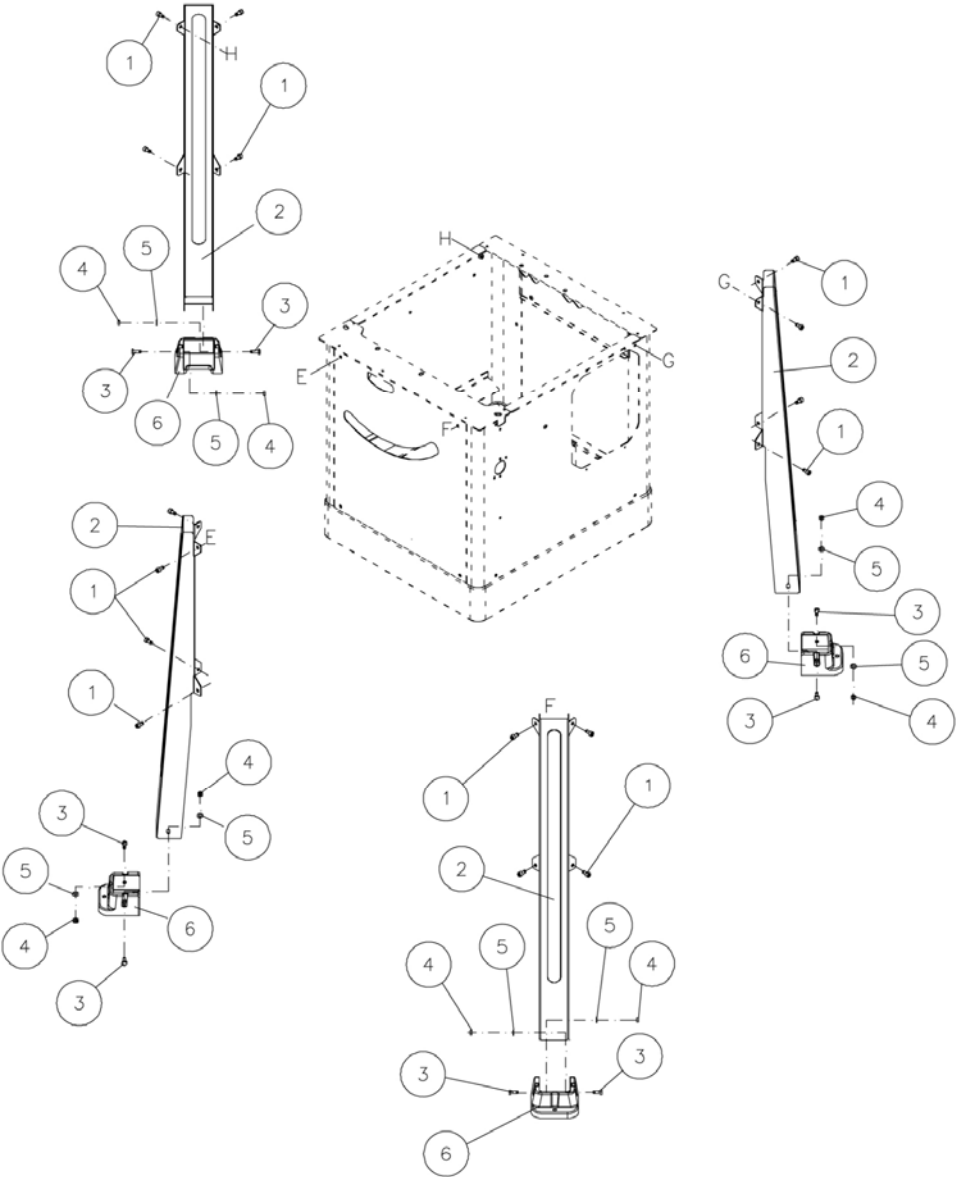


## 16.2.2 Table and Cabinet – Parts List

| Index No | Part No      | Description                               | Size          | Qty |
|----------|--------------|---|---------------|-----|
| 1        | JPS10TSR-301 | Table                                     |               | 1   |
| 2        | JPS10TS-302  | Left Steel Extension Wing                 |               | 1   |
| 3        | JPS10TS-303  | Right Steel Extension Wing                |               | 1   |
| 4        | TS-2361081   | Lock Washer                               | M8            | 3   |
| 5        | TS-1524051   | Socket Set Screw                          | M8x20         | 2   |
|          | JPS10TSR-TIA | Table Insert Assembly (#6 thru #8)        |               | 1   |
| 6        | JPS10TSR-306 | Lock Knob                                 |               | 1   |
| 7        | TS-1522041   | Socket Set Screw                          | M5-0.8Px12    | 4   |
| 8        | JPS10TSR-308 | Table Insert                              |               | 1   |
| 9        | TS-1490031   | Hex Cap Screw                             | M8x20         | 8   |
| 10       | TS-1550061   | Flat Washer                               | M8            | 8   |
| 11       | JPS10TS-311  | Cover                                     |               | 1   |
| 12       | TS-1532032   | Phillips Pan Head Machine Screw           | M4x10         | 4   |
| 13       | JPS10TSR-313 | Cabinet                                   |               | 1   |
| 14       | TS-1550061   | Flat Washer                               | M8            | 3   |
| 15       | TS-1490031   | Hex Cap Screw                             | M8x20         | 3   |
| 16       | JPS10TS-342  | STOP Switch Paddle                        |               | 1   |
| 17       | JPS10TS-343  | Main Switch w/ Face Plate                 |               | 1   |
| 18       | JPS10TS-344  | Switch Plate                              |               | 1   |
| 19       | JPS10TS-345  | External Tooth Lock Washer                | M4            | 2   |
| 20       | TS-2171012   | Phillips Pan Head Machine Screw           | M4x6          | 2   |
| 21       | JPS10TS-347  | Switch Box                                |               | 1   |
| 22       | JPS10TS-348  | Power Cord                                |               | 1   |
| 23       | TS-1490011   | Hex Cap Screw                             | M8x10         | 2   |
| 24       | TS-1550061   | Flat Washer                               | M8            | 2   |
| 25       | JPS10TS-351  | Strain Relief                             | SBRS-3        | 3   |
| 26       | TS-2284302   | Phillips Pan Head Machine Screw           | M4x30         | 2   |
|          | JPS10TS-MG   | Miter Gauge Assembly (#27 thru #41)       |               | 1   |
| 27       | JPS10TS-327  | Handle                                    |               | 1   |
| 28       | TS-0680041   | Flat Washer                               | 3/8"          | 1   |
| 29       | JWTS10-329   | Miter Gauge Body                          |               | 1   |
| 30       | TS-2284202   | Phillips Pan Head Machine Screw           | M4x20         | 3   |
| 31       | TS-1540021   | Hex Nut                                   | M4            | 3   |
| 32       | TS-1533032   | Phillips Pan Head Machine Screw           | M5x10         | 3   |
| 33       | JWTS10-333   | Pointer                                   |               | 1   |
| 34       | JWTS10-334   | Bracket                                   |               | 1   |
| 35       | JWTS10-335   | Stop Pin                                  |               | 1   |
| 36       | JWTS10-336   | Screw                                     |               | 1   |
| 37       | JPS10TS-337  | Miter Bar                                 |               | 1   |
| 38       | JWTS10-338   | Guide Washer                              |               | 1   |
| 39       | JWTS10-339   | Flat Head Screw                           | M6x8          | 1   |
| 40       | JPS10TS-340  | Scale                                     |               | 1   |
| 41       | TS-0270011   | Socket Set Screw                          | 5/16"-18x1/4" | 2   |
| 42       | JPS10TS-357  | Lock Knob                                 |               | 4   |
| 43       | JPS10TS-358  | Dust Chute Cover                          |               | 1   |
| 44       | JPS10TSR-344 | Lock Plunger                              |               | 1   |
| 45       | JPS10TS-360  | Spring                                    |               | 1   |
| 45       | JPS10TS-361  | E-Clip                                    | ETW-7         | 1   |
| 47       | JPS10TSR-347 | Low Profile Riving Knife                  |               | 1   |
|          | JPS10TSR-BGA | Blade Guard Assembly (#48 thru #76)       |               | 1   |
|          | JPS10TSR-UGA | Upper Guard Assembly (#48 thru #61,74,75) |               | 1   |
| 48       | JPS10TSR-348 | Left Side outer Blade Guard               |               | 1   |
| 49       | TS-1541011   | Nylon Lock Hex Nut                        | M5            | 4   |
| 50       | JPS10TSR-350 | Flat Head Screw                           | M5-0.8Px15    | 4   |
| 51       | JPS10TSR-351 | Left Side Inner Blade Guard               |               | 1   |
| 52       | JPS10TSR-352 | Shaft                                     |               | 1   |
| 53       | JPS10TSR-353 | Pan Head Screw                            | M5-0.8Px6     | 4   |

| Index No | Part No       | Description                                   | Size       | Qty |
|----------|---------------|---|------------|-----|
| 54       | JPS10TSR-354  | Lock Knob                                     |            | 1   |
| 55       | JPS10TSR-355  | Support Arm                                   |            | 1   |
| 56       | JPS10TSR-356  | Left Fixing Bracket                           |            | 2   |
| 57       | JPS10TSR-357  | Right Fixing Bracket                          |            | 2   |
| 58       | TS-1532032    | Phillips Pan Head Machine Screw               | M4-0.7Px10 | 2   |
| 59       | JPS10TSR-359  | Lock Pin                                      |            | 2   |
| 60       | JPS10TSR-360  | Right Side Inner Blade Guard                  |            | 1   |
| 61       | JPS10TSR-361  | Right Side Outer Blade Guard                  |            | 1   |
|          | JPS10TSR-AKPA | Anti-Kickback Pawl Assembly (#62 thru #72,76) |            | 1   |
| 62       | TS-1541011    | Nylon Lock Hex Nut                            | M5-0.8P    | 1   |
| 63       | JPS10TSR-363  | Left Side Anti-kickback Pawl                  |            | 1   |
| 64       | JPS10TSR-364  | Left Side Spring                              |            | 1   |
| 65       | JPS10TSR-365  | Anti-Kickback Pawl Bracket                    |            | 1   |
| 66       | JPS10TSR-366  | Lock Pin                                      |            | 1   |
| 67       | JPS10TSR-367  | Lock Shaft                                    |            | 1   |
| 68       | JPS10TSR-368  | Spring  |            | 1   |
| 69       | JPS10TS-361   | E-Clip  | ETW-7      | 1   |
| 70       | JPS10TSR-370  | Right Side Spring                             |            | 1   |
| 71       | JPS10TSR-371  | Right Side Anti-kickback Pawl                 |            | 1   |
| 72       | TS-2285302    | Phillips Pan Head Machine Screw               | M5-0.8Px30 | 1   |
| 73       | JPS10TSR-373  | Riving Knife                                  |            | 1   |
| 74       | JPS10TSR-374  | O-Ring  | P3         | 4   |
| 75       | JPS10TSR-375  | Warning Label                                 |            | 1   |
| 76       | TS-1550031    | Flat Washer                                   | M5         | 2   |
| 77       | JPS10TSR-377  | Cap   |            | 1   |

### 16.3.1 Stand Assembly – Exploded View

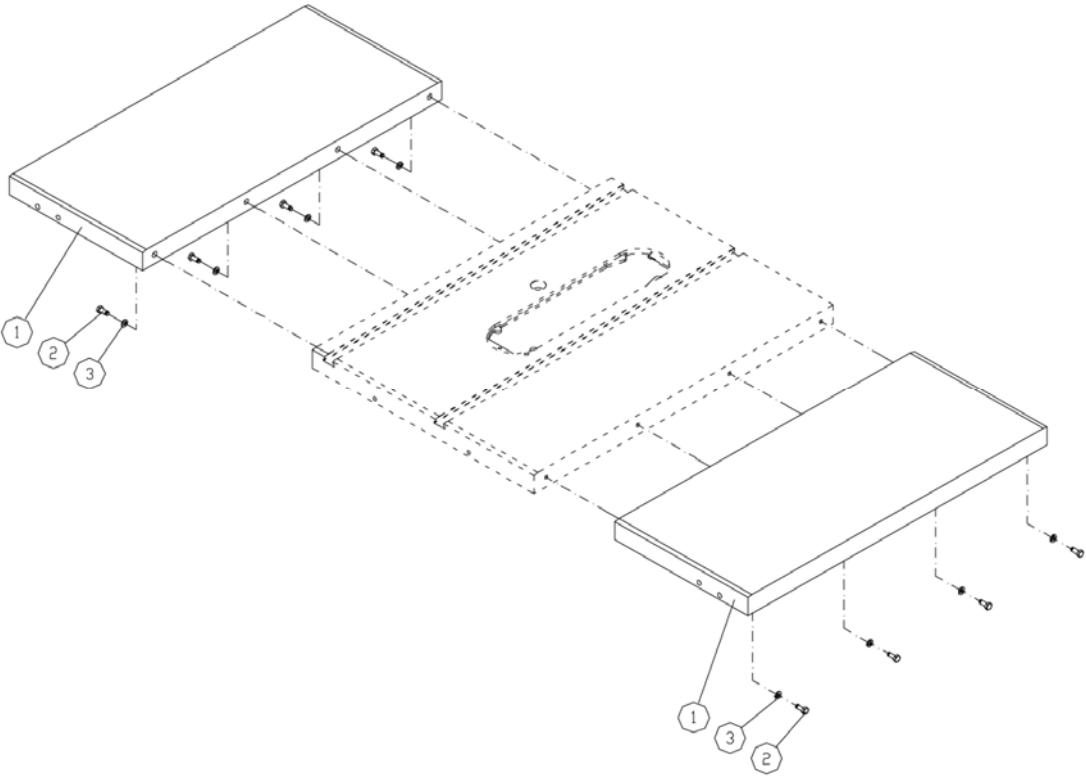


### 16.3.2 Stand Assembly – Parts List

| Index No | Part No           | Description                            | Size       | Qty |
|----------|-------------------|--|------------|-----|
| 1.....   | TS-2246122 .....  | Socket Head Button Screw.....          | M6x12..... | 16  |
| 2.....   | JPS10TSR-402..... | Leg.....                               |            | 4   |
| 3.....   | TS-1482031 .....  | Hex Cap Screw .....                    | M6x16..... | 8   |
| 4.....   | TS-2311061 .....  | Hex Nut.....                           | M6.....    | 8   |
| 5.....   | TS-1550041 .....  | Flat Washer.....                       | M6.....    | 8   |
| 6.....   | JPS10TS-406.....  | Foot.....                              |            | 4   |
| .....    | JPS10TS-SHP.....  | Stand Hardware Package (#1,3,4,5)..... |            |     |



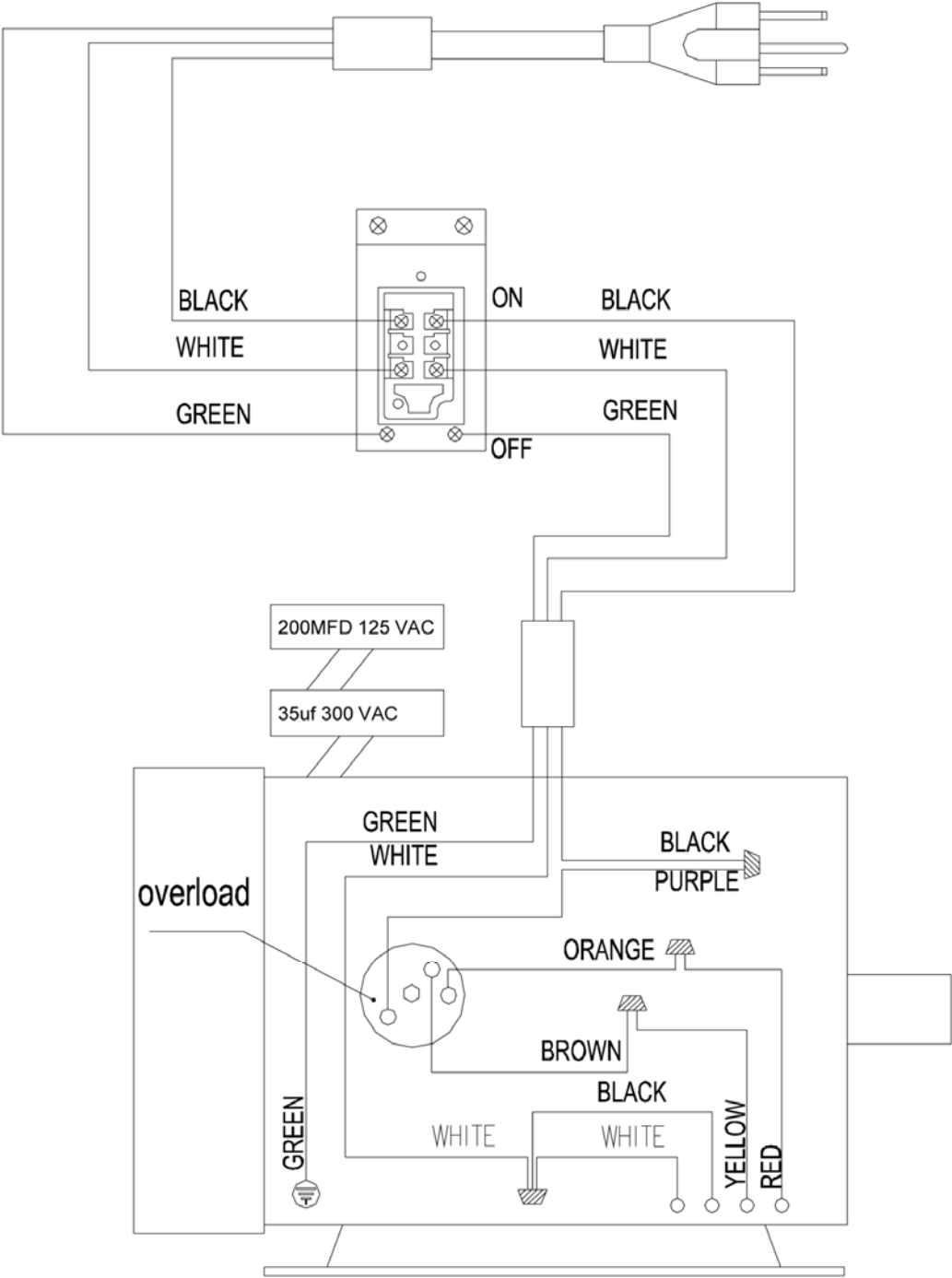
**16.4.1 Cast Iron Wings – Exploded View**



**16.4.2 Cast Iron Wings – Parts List**

| Index No. | Part No.          | Description         | Size       | Qty |
|-----------|-------------------|---------------------|------------|-----|
| 1.....    | JPS10TS-501 ..... | Cast Iron Wing..... |            | 2   |
| 2.....    | TS-1490031 .....  | Hex Cap Screw ..... | M8x20..... | 8   |
| 3.....    | TS-1550061 .....  | Flat Washer .....   | M8.....    | 8   |

# 17.1 Electrical Connections – 115V



# 17.2 Electrical Connections – 230V

