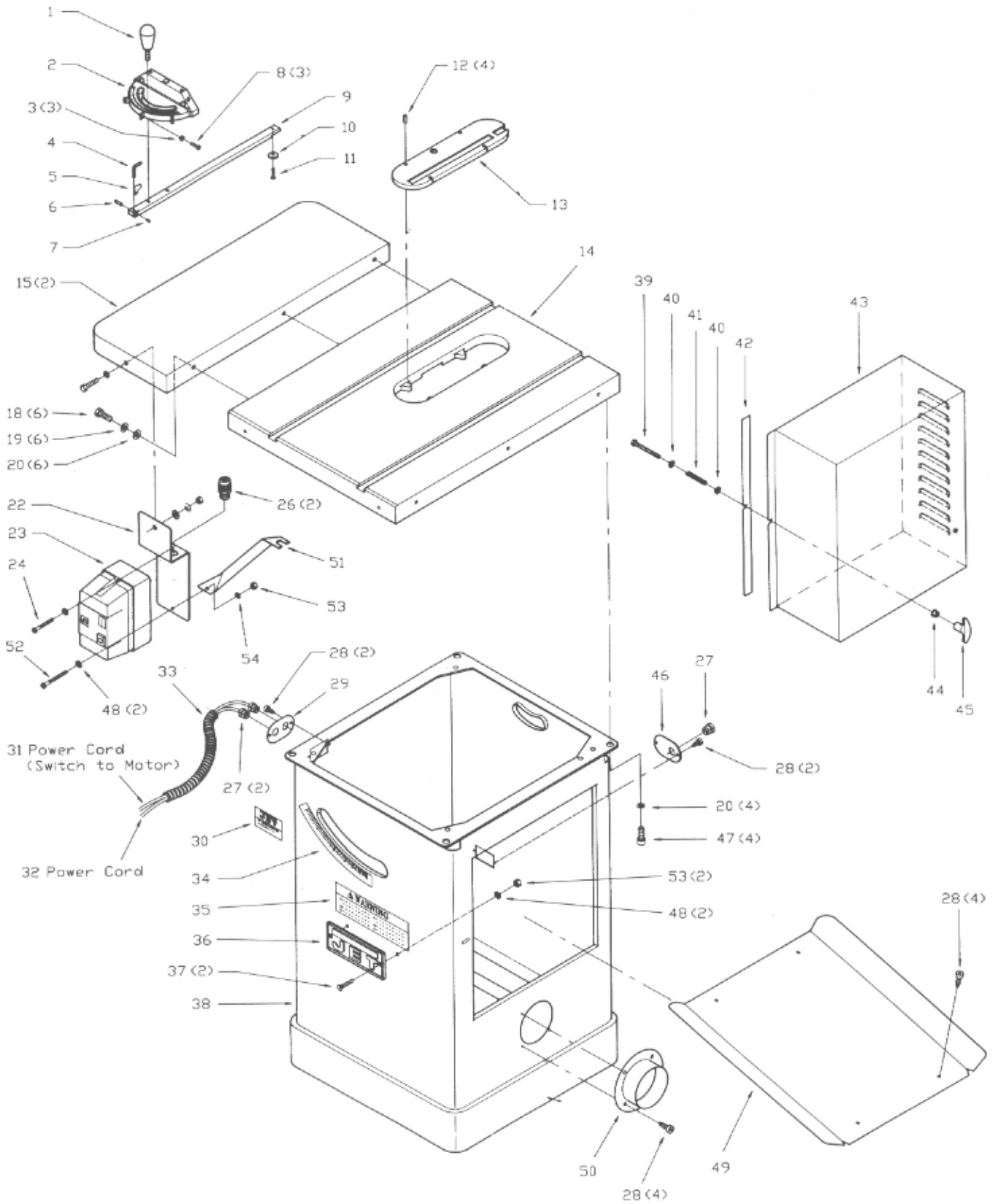


Table and Cabinet Assembly



Parts List For The JTAS-10/12 Tilting Arbor Table Saw

Table and Cabinet Assembly

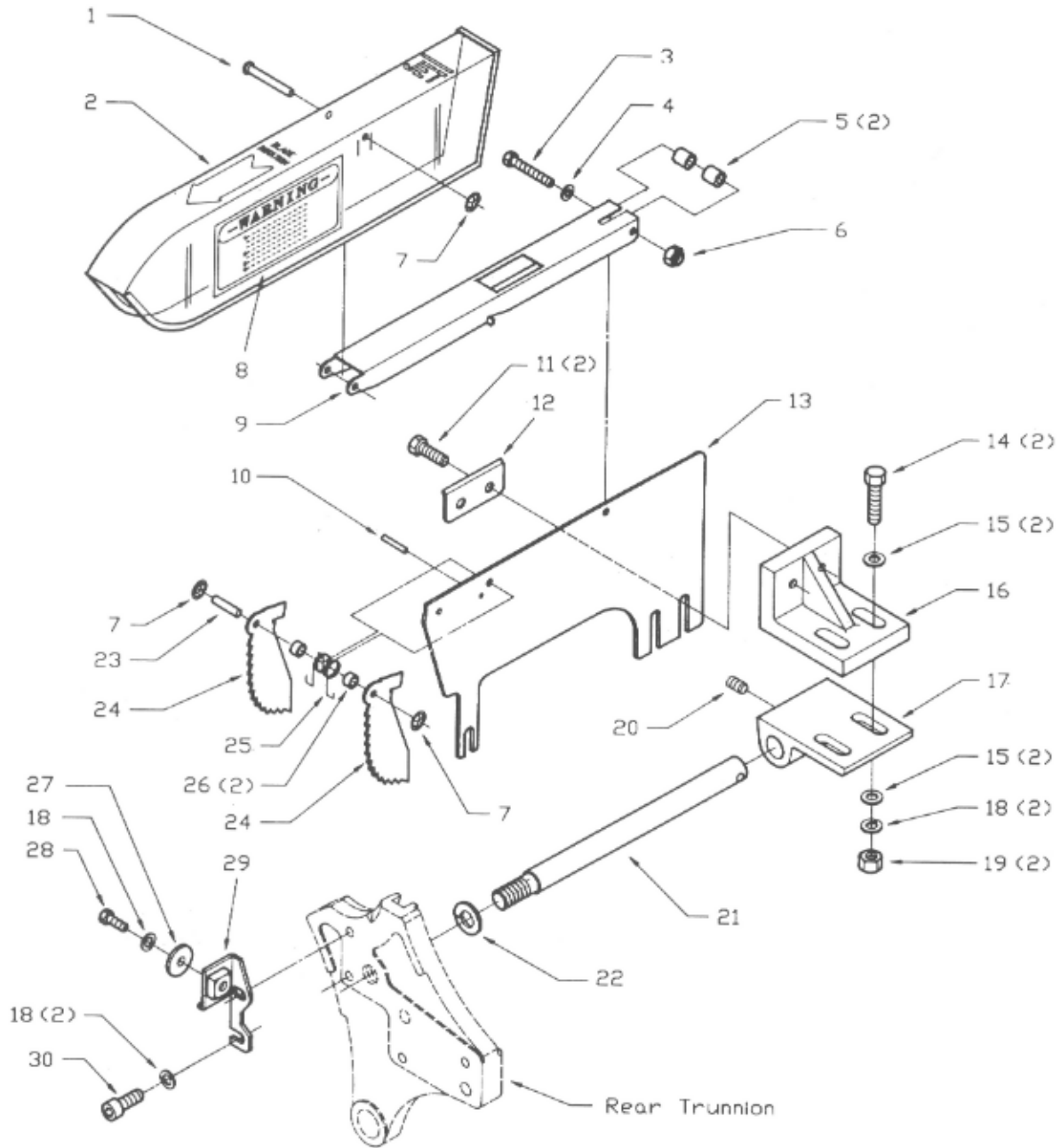
Index No.	Part No.	Description	Size	Qty.
1	JTAS10-1	Lock Knob		1
2	JTAS10-2	Miter Gauge Body		1
3	TS-1540031	Hex Nut	M5	3
4	JTAS10-4	Pointer		1
5	JTAS10-5	Stop Link		1
6	TS-1521011	Set Screw	M4x4	1
7	JTAS10-7	Special Pin	M3x6	1
8	JTAS10-8	Screw	M5x20	1
9	JTAS10-9	Guide Bar		1
10	JTAS10-10	Guide Washer		1
11	JTAS10-11	Flat Head Screw	M6x8	1
	JTAS10-MG	Miter Gauge Assembly (#1-11)		1
12	TS-0267041	Set Screw	1/4x3/8	4
13	JTAS10-13	Table Insert		1
	JTAS12-13	Table Insert		1
14	JTAS10-14 W	Table		1
	JTAS12-14 W	Table		1
15	JTAS10-15 W	Extension Wing		2
	JTAS12-15 W	Extension Wing		2
18	TS-0061051	Hex Socket Cap Screw	7/16x1-1/2	6
19	TS-0720101	Lock Washer	7/16	6
20	TS-0680051	Flat Washer	7/16	6
21	TS-0720081	Lock Washer	5/16	1
22	JTAS10-22 W	Switch Plate		1
23	JTAS10-23	Magnetic Switch	3HP,1Ph,230V	1
	JTAS10-23A	Magnetic Switch	5HP,3Ph,230V	1
	JTAS10-23B	Magnetic Switch	5HP,3Ph,460V	1
	JTAS12-23	Magnetic Switch *	5HP,1Ph,230V	1
24	JTAS10-24	Screw	3/16x3/4	1
26	JTAS10-26	Cord Connector		2
27	JTAS10-27	Cord Clamp		3
	JTAS12-27	Cord Clamp *		3
28	JTAS10-28	Tap Screw	M5x10	12
29	JTAS10-29	Cord Plate		1
	JTAS12-29	Cord Plate *		1
30	JTAS10-30	Identification Plate		1
	JTAS12-30	Identification Plate		1
31	JTAS10-31	Power Cord (switch to motor)		1
	JTAS12-31	Power Cord (switch to motor) *		1
32	JTAS10-32	Power Cord		1
	JTAS12-32	Power Cord *		1
33	JTAS10-33	Power Cord Sleeve		1
	JTAS12-33	Power Cord Sleeve *		1
34	JTAS10-34	Tilt Scale		1
35	JTAS10-35	Warning Label		1
36	JTAS10-36	JET Plaque		1

37	JTAS10-37	Flat Head Screw	3/16x3/8	2
38	JTAS10-38 W	Cabinet		1
	JTAS12-38 W	Cabinet		1
39	TS-1482101	Hex Cap Bolt	M6x50	1
40	TS-0680021	Flat Washer	1/4	2
41	JTAS10-41	Spring		1
42	JTAS10-42	Foam Strip		1
43	JTAS10-43 W	Motor Cover		1
	JTAS12-43 W	Motor Cover		1
44	TS-1540021	Hex Nut	M6	1
45	JTAS10-45	Handle		1
46	JTAS10-47	Cord Clamp Plate		1
	JTAS12-47	Cord Clamp Plate *		1
47	TS-0210011	Hex Socket Cap Screw	7/16x3/4	4
48	TS-0680011	Flat Washer	3/16	4
49	JTAS10-50 W	Lower Panel		1
	JTAS12-50 W	Lower Panel		1
50	JTAS10-51 W	Dust Hose Adapter		1
51	JTAS10-52 W	Switch Brace Kit **		1
	JTAS12-52 W	Switch Brace Kit **		1
52	JTAS10-53	Screw	3/16 x 1	1
53	JTAS10-54	Nut	3/16	3
54	JTAS10-55	Star Washer	3/16	1

* 10" Saws with 5 HP, 1Ph motor uses these parts.

** Switch Brace Kit contains bracket, screw, nut, star washer, and 8mm hex wrench.

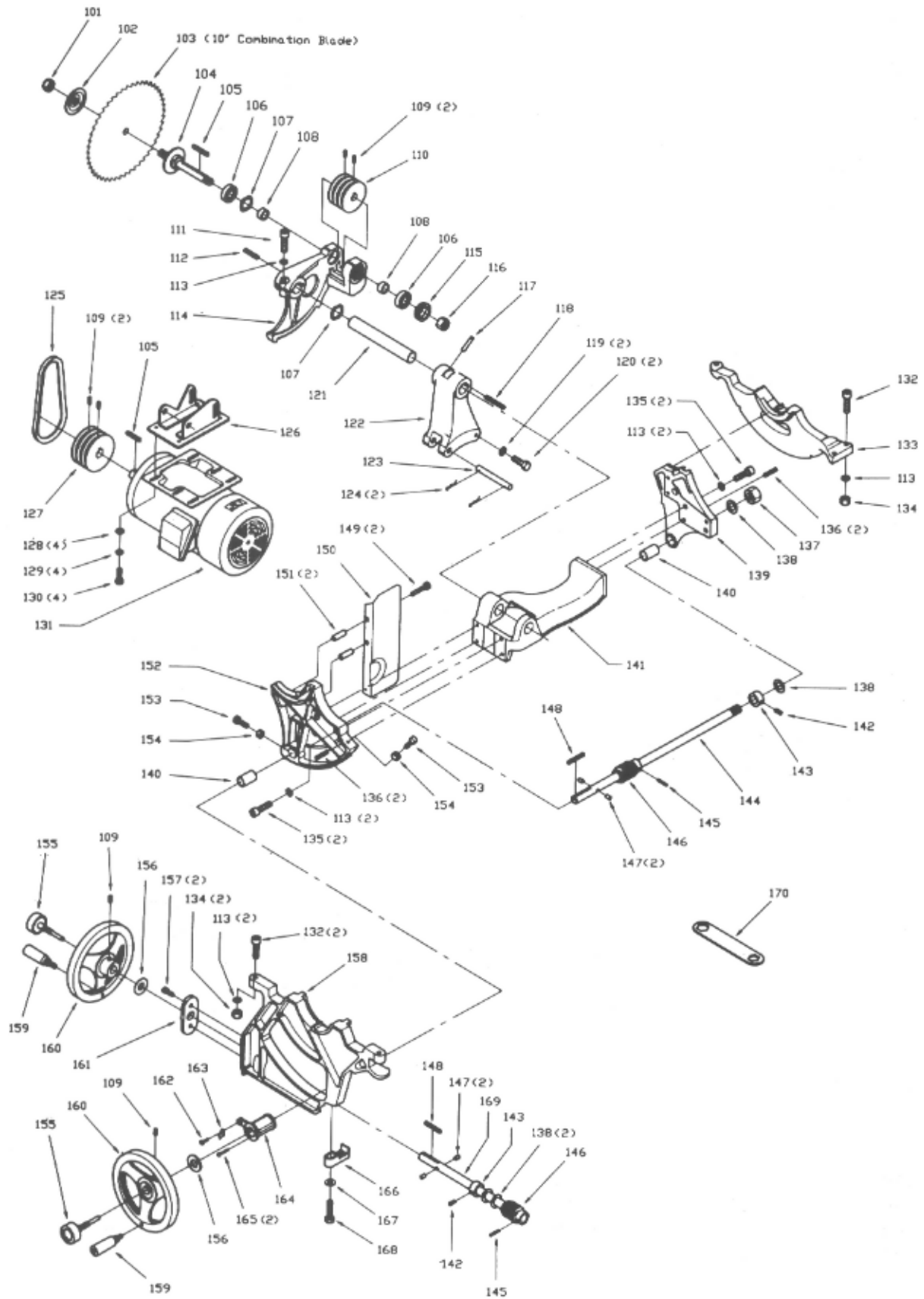
Blade Guard Assembly



Blade Guard Assembly

.....	JTAS10-BG	Blade Guard Assembly (# 1-10/13/23-26)	1
.....	JTAS12-BG	Blade Guard Assembly (# 1-10/13/23-26)	1
1	JTAS10-G1	Pin	1
2	JTAS10-G2	Guard	1
.....	JTAS12-G2	Guard	1
3	TS-0207091	Hex Socket Cap Screw	1/4x1-1/2	1
4	TS-0680021	Flat Washer	1/4	1
5	JTAS10-G5	Spacer	2
6	TS-0561011	Hex Nut	1/4	1
7	JTAS10-G7	Lock Grommet	3
8	JTAS10-G8	Warning Label	1
9	JTAS10-G9	Support Arm	1
.....	JTAS12-G9	Support Arm	1
10	JTAS10-G10	Pin	1
11	TS-0208061	Hex Cap Bolt	5/16x1	2
12	JTAS10-G12	Plate	1
13	JTAS10-G13	Splitter	1
.....	JTAS12-G13	Splitter	1
14	TS-0051071	Hex Cap Bolt	5/16x1-1/2	2
15	TS-0680031	Flat Washer	5/16	6
16	JTAS10-G15	Upper Blade Guard Bracket	1
17	JTAS10-G16	Lower Blade Guard Bracket	1
18	TS-0720081	Lock Washer	5/16	5
19	TS-0561021	Hex Nut	5/16	2
20	TS-0270031	Set Screw	5/16x3/8	2
21	JTAS10-G21	Shaft (serial # 507050 and below)	1
.....	JTAS10-G21A	Shaft (serial # 508051 and above)	1
22	TS-0720141	Lock Washer	5/8	1
23	JTAS10-G23	Pin	1
24	JTAS10-G24	Anti-Kickback Pawl	2
.....	JTAS12-G24	Anti-Kickback Pawl	2
25	JTAS10-G25	Spring	1
26	JTAS10-G26	Spacer	2
27	TS-0680031	Flat Washer	5/16	1
28	TS-0051021	Hex Cap Bolt	5/16x5/8	1
29	JTAS10-G29	Bracket	1
30	TS-0208021	Hex Socket Cap Screw	5/16 x 1/2	2
.....	TS-0561071	Hex Nut -5/8 (serial # 507050 and below - not shown)	1
.....	477446	12mm Combination Wrench (not shown)	1

Motor and Trunnion Assembly

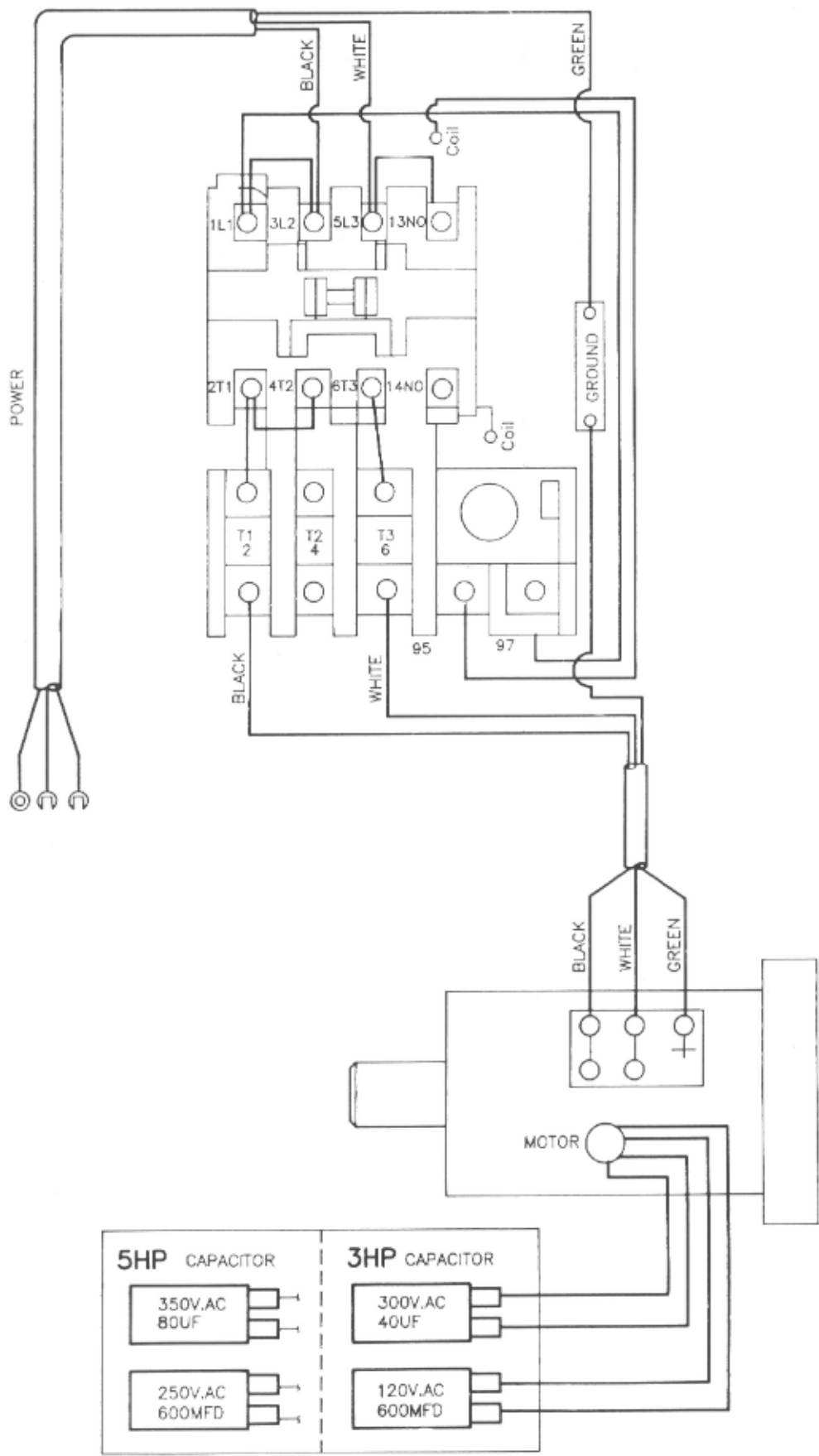


Motor and Trunnion Assembly

101	JTAS10-101	Arbor Nut		1
	JTAS12-101	Arbor Nut		1
102	JTAS10-102	Arbor Flange		1
	JTAS12-102	Arbor Flange		1
104	JTAS10-104	Arbor with Flange		1
	JTAS12-104	Arbor with Flange		1
105	JTAS10-105	Key	M5x1-1/2	1
	JTAS12-105	Key		1
106	BB-6203ZZ	Ball Bearing (JTAS-10 only)		2
	BB-6005ZZ	Ball Bearing (JTAS-12 only)		2
107	JTAS10-107	Bearing Load Spring		2
108	JTAS10-108	Bearing Load Spacer		2
	JTAS12-108	Bearing Load Spacer		2
109	TS-0267041	Set Screw	1/4x3/8	6
110	JTAS10-110	Arbor Pulley		1
	JTAS12-110	Arbor Pulley		1
111	TS-0209031	Hex Socket Cap Screw		1
112	JTAS10-112	Key	1/4x50	1
113	TS-0720091	Lock Washer	3/8	10
114	JTAS10-114	Arbor Bracket		1
	JTAS12-114	Arbor Bracket		1
115	JTAS10-115	Spanner Nut		1
	JTAS12-115	Spanner Nut		1
116	JTAS10-116	Arbor Nut (JTAS-10 only)	5/8	1
	TS-0561081	Hex Nut (JTAS-12 only)	3/4	1
117	JTAS10-117	Spring Pin	M6x50	1
118	JTAS10-118	Key	1/4x75	1
119	TS-0680051	Flat Washer	7/16	2
120	TS-0091031	Hex Cap Bolt	7/16x1	2
121	JTAS10-121	Shaft		1
122	JTAS10-122	Motor Bracket		1
123	JTAS10-123	Pin		1
124	JTAS10-124	Spring Clip		2
125	VB-A23	V-Belt		3
126	JTAS10-126	Motor Plate		1
127	JTAS10-127	Motor Pulley		1
128	TS-0680031	Flat Washer	5/16	4
129	TS-0720081	Lock Washer	5/16	4
130	TS-0051031	Hex Cap Bolt	5/16x3/4	4
131	JTAS10-131	Motor (3HP, 1Ph, 230V only)		1
	JTAS10-131A	Motor (5HP, 3PH, 230/460V)		1
	JTAS12-131	Motor (5HP, 1Ph, 230V only)		1
132	TS-0209071	Hex Socket Cap Screw	3/8x1-1/2	5
133	JTAS10-133	Rear Trunnion Bracket		1
134	TS-0561031	Hex Nut	3/8	5
135	TS-0209051	Hex Socket Cap Screw	3/8x1	4
136	JTAS10-136	Spring Pin	M8x25	4
137	TS-0561081	Hex Nut	3/4	1
138	JTAS10-138	Fiber Washer		4
139	JTAS10-139	Rear Trunnion		1
140	JTAS10-140	Bushing		2
141	JTAS10-141	Yoke		1

.....	JTAS12-141	Yoke	1
142	TS-0270011	Set Screw	5/16x1/4	4
143	JTAS10-143	Collar	2
144	JTAS10-144	Shaft	1
.....	JTAS12-144	Shaft	1
145	JTAS10-145	Spring Pin	M5x30	2
146	JTAS10-146	Worm Gear	2
147	JTAS10-147	Lock Pin	4
148	JTAS10-148	Key	M5x35	2
149	TS-0051071	Hex Cap Bolt (JTAS-10 only)	5/16x1-1/2	2
.....	JTAS12-149	Hex Cap Bolt (JTAS-12 only)	2
150	JTAS10-150	Dust Deflector	1
.....	JTAS12-150	Dust Deflector	1
151	JTAS10-151	Spacer (JTAS-10 only)	2
152	JTAS10-152	Front Trunnion	1
.....	JTAS10-TA	Trunnion Assy. (#113, 135-141)	1
153	TS-0051021	Hex Cap Bolt	5/16x5/8	2
154	TS-0561021	Hex Nut	5/16	2
155	JTAS10-155	Lock Knob 1 (12")/2 (10")
155-1	JTAS12-155	Lock Knob (JTAS-12 only)	1
156	JTAS10-156	Fiber Washer	2
157	TS-0208061	Hex Socket Cap Screw (JTAS-10 only)	5/16x1	2
.....	TS-0208101	Hex Socket Cap Screw (JTAS-12 only)	5/16 x 2	2
158	JTAS10-158	Front Trunnion Bracket	1
.....	JTAS12-158	Front Trunnion Bracket	1
159	JTAS10-159	Hand Wheel Handle	2
160	JTAS10-160	Handle	2
161	JTAS10-161	Shield Plate	1
161-1	JTAS12-161	Adapter (JTAS-12 only)	1
162	JTAS10-162	Round Head Screw	1/4x3/8	1
163	JTAS10-163	Pointer	3/8	1
164	JTAS10-164	Pointer Bracket	1
165	JTAS10-165	Round Head Screw	3/16x2	2
166	JTAS10-166	Guide Block	1
167	TS-0680041	Flat Washer	3/8	1
168	TS-0060071	Hex Cap Bolt	3/8x1-1/2	1
169	JTAS10-169	Tilt Shaft	1
.....	JTAS12-169	Tilt Shaft	1
170	JTAS10-170	Wrench	1
.....	JTAS12-170	Wrench	1

Electrical Schematic - Single Phase- 230V



Electrical Schematic - Three Phase

