



## Assembly Instructions

### Closed Stand (Stock No. 708597)

for use with Model JSG-96 Disc/Belt Sander

**⚠ WARNING:** This product can expose you to chemicals including lead which is known to the State of California to cause cancer and birth defects or other reproductive harm. For more information go to <http://www.p65warnings.ca.gov>.

Bolt the JSG-96 Disc/Belt sander base to the closed stand with four  $\frac{3}{8}$ " x 3" hex cap screws (Fig.1, Item A), four  $\frac{3}{8}$ " lock washers (Fig.1, Item B), eight  $\frac{3}{8}$ " flat washers (Fig.1, Item C), and four hex nuts (Fig.1, Item D). These fasteners come with the closed stand.

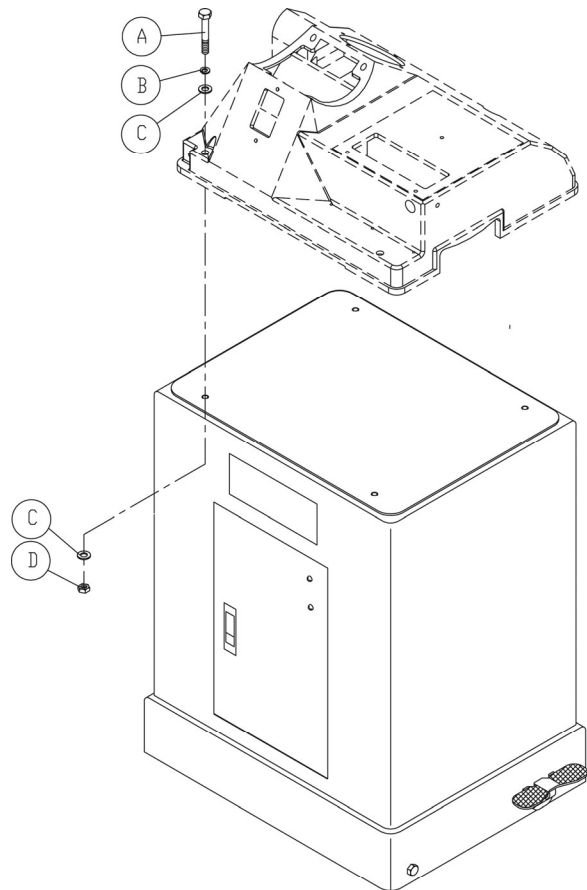
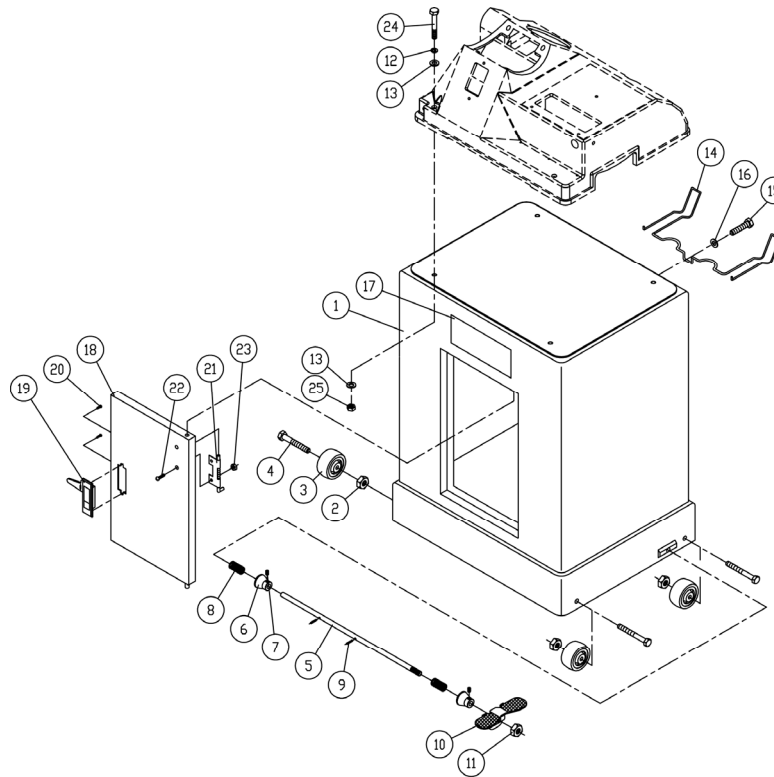


Fig.1

**JET**  
427 New Sanford Road  
LaVergne, Tennessee 37086  
Ph.: 800-274-6848  
[www.jettools.com](http://www.jettools.com)

**Part No. M-708597**  
Revision A2 11/2018  
Copyright © 2014 JET, a Division of JPW Industries, Inc.

## Parts Breakdown for the JSG-96 Closed Stand



Index No.	Part No.	Description	Size	Qty
1	JSG96-301	Base		1
2	JSG96-302	Lock Nut	3/8	4
3	PJE-S05	Wheel		4
4	JSG96-304	Hex Head Screw	3/8x2-1/2	4
5	JSG96-305	Shaft		1
6	PJN-S04	Eccentric Cam		2
7	JSG96-307	Set Screw	M6x10	2
8	JSG96-308	Spring		2
9	JSG96-309	Roll Pin	4x16	2
10	PJN-S02	Foot Brake		1
11	JSG96-311	Lock Nut	M10x1.5	1
12	TS-0720091	Lock Washer*	3/8	4
13	TS-0680041	Flat Washer*	3/8	8
14	JSG96-314	Tool Shelf		1
15	TS-0060031	Hex Head Screw*	3/8x3/4	1
16	JSG96-316	Washer*	3/8x1-1/8	1
17	JET-203	JET Logo	203x84mm	1
18	JSG96-318	Door		1
19	JSG96-319	Latch		1
20	JSG96-320	Screw	M3	2
21	JSG96-321	Door Pivot		1
22	JSG96-127	Screw	1/4x3/8	2
23	TS-0561011	Hex Nut	1/4	2
24	TS-0060131	Hex Head Screw*	3/8x3	4
25	TS-0561031	Hex Nut*	3/8	4
	STRIPE-1-3/4	JET Stripe (not shown)	1-3/4"w	per ft.
	JSG96-HKC	Hardware Kit for Closed Stand (includes items marked with *)		