



OWNER'S MANUAL

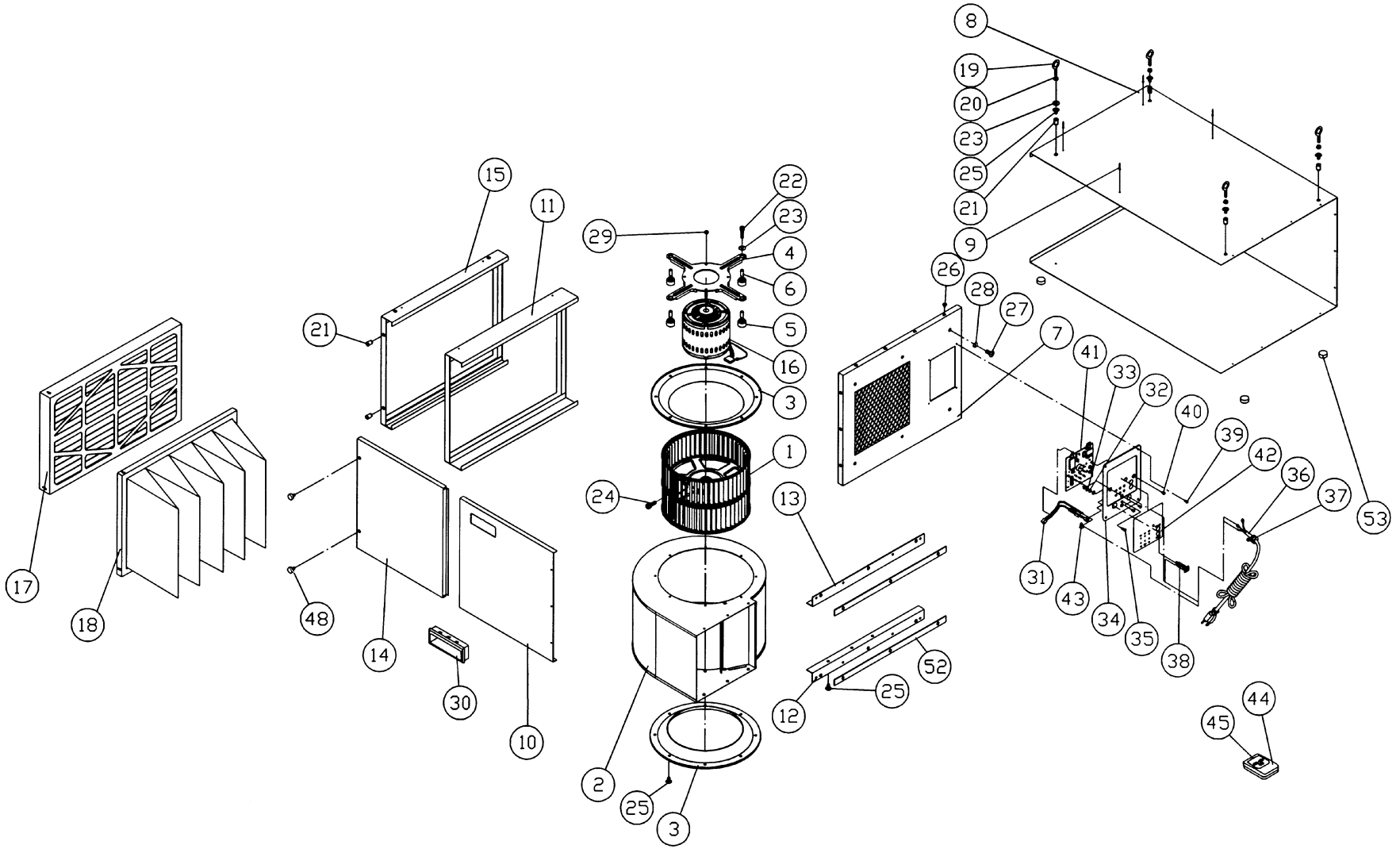
AFS-1500 Air Filtration



JET EQUIPMENT & TOOLS, INC.
A WMH Company
www.jettools.com

P.O. BOX 1349
Auburn, WA 98071-1349
e-mail jet@jettools.com

253-351-6000
Fax 800-274-6840
M-708614 6/2001



Parts Breakdown

Parts List for the AFS-1500 Air Filtration

Index No.	Part No.	Description	Size	Qty.
1	330001	Fan Blade		1
2	330002	Fan Housing		1
3	330003	Air Guide Plate		2
4	330004	Flange		1
5	330005	Spacer		4
6	330006	Sleeve		4
7	330052	Box Cover		1
	LM000280	JET Label (not shown)		2
	LM000350	Warning Label (not shown)		1
8	330071	Top Plate		1
9	BT000042	Rivet		8
10	330055	Side Plate		1
11	AB330072	Frame		1
12	330057	Fan Support (1)		1
13	330058	Fan Support (2)		1
14	330061	Side Cover		1
15	AB330064	Frame		1
16	330066	Motor	1/4 HP, 115V	1
	CA001500	Capacitor (not shown)		1
17	708727	Outer Filter (cardboard frame)		1
	708729	Electrostatic Filter (metal frame: washable)		1
18	708726	Bag Filter		1
19	OO1023	Eye Bolt		4
20	NH061000	Nut	M6	4
21	10042	Nut		6
22	SR060600	Hex Socket Bolt	M6x30	4
23	WF061620	Washer	M6x16	8
24	SR089400	Hex Socket Bolt	M8x16	1
25	SF069200	Pan Head Bolt W/Flange	M6x8	22
26	ST049314	Tapping Screw	M4x12	14
27	SJ089400	Pan Head Bolt	M8x16	6
28	WS080000	Spring Washer	M8	6
29	NF050800	Nut	M5	4
30	OO1029	Concave Handle		2
31	OO1033	Switch Wire W/Terminal	18AWG	1
32	NH050800	Nut	M5	2
33	WE050000	Star Washer (External)	M5	2
34	OO1022	Switch Plate		1
35	SP059300	Pan Head Bolt	M5x12	1
36	IC001015	Cord	18AWGx3C	1
37	998623	Strain Relief		1
38	330075	5A Thermal Switch		1
39	ST049100	Tapping Screw	M4x6	4
40	SN490200	Counter Sunk Bolt	1/8"x1/4"	3
41	330043	PC Board		1
42	LM000453	Circuit Board Label		1
43	990638	Wiring Nut	P2	1
44	708711	Remote Control		1
45	LM000344	Remote Label		1
48	330030	Bolt		2
52	330046	Pad		2
53	330074	Round Pad		4

Optional Replacement Filters:

-708727..... Outer Filter (cardboard frame).....
-708729..... Electrostatic Filter (metal frame: washable).....
-708726..... Inner Filter.....
-708728..... Charcoal Filter.....

Wiring Diagram

