



Owner's Manual XACTA® Fence II Homeshop 30/52



JET
427 New Sanford Road
LaVergne, Tennessee 37086
Ph.: 800-274-6848
www.jettools.com

Part No. M-708928Z
Revision D1 03/2019
Copyright © 2015 JET

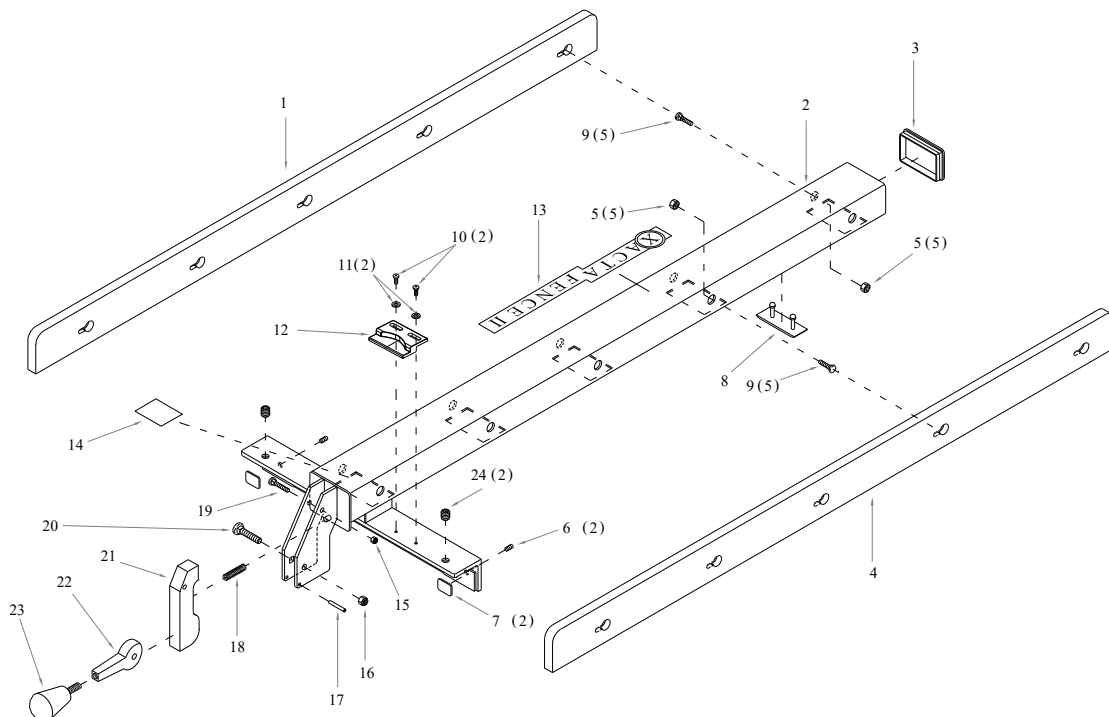
Parts

Ordering Replacement Parts

To order parts or reach our service department, call 1-800-274-6848 Monday through Friday (see our website for business hours, www.jettools.com). Having the Model Number and Serial Number of your machine available when you call will allow us to serve you quickly and accurately.

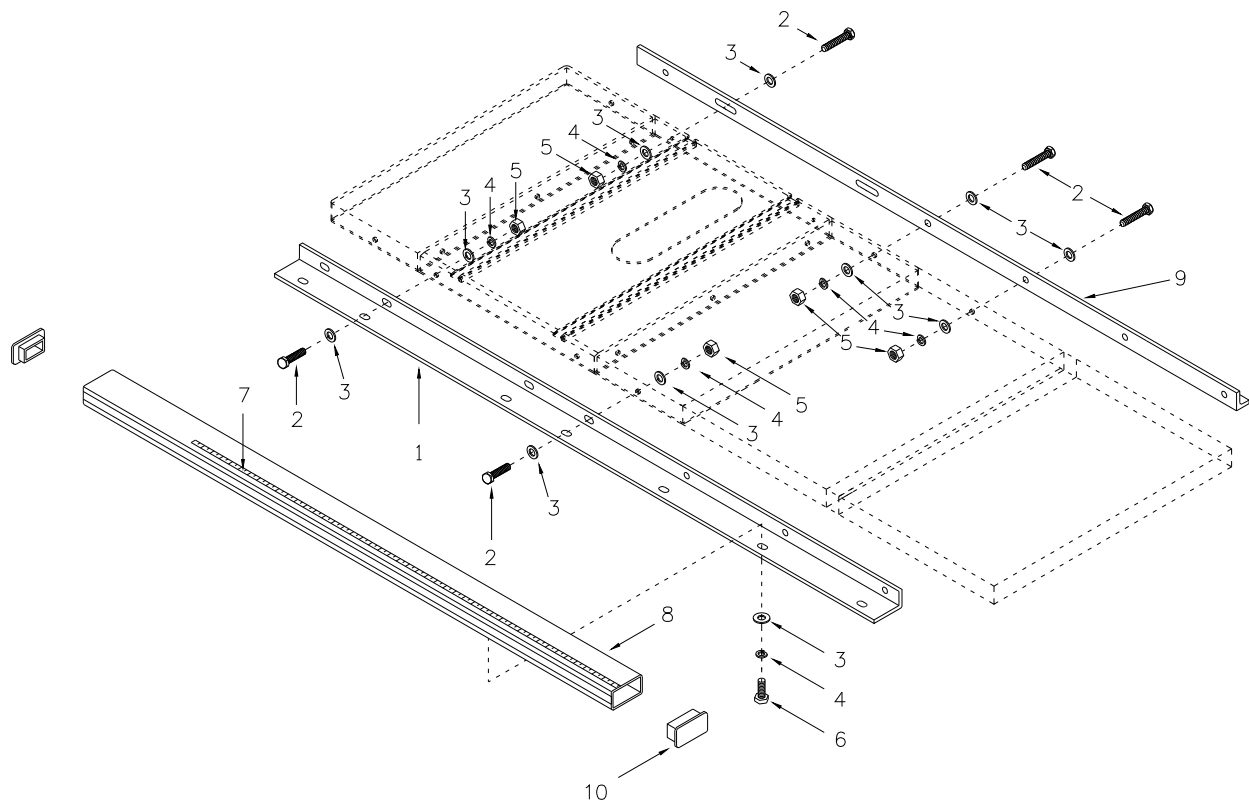
Parts for XACTA Fence II Homeshop 30/52 Fence Assembly

Index No.	Part No.	Description	Size	Qty
	708928Z	XACTA Fence II Homeshop Fence (includes #1-24)		
1	HF2-101N	Left Side Plate		1
2	HF2-102	Fence Body Assembly		1
3	HF2-103	Tube Plug		1
4	HF2-104N	Right Side Plate		1
5	TS-0640071	Lock Nut	1/4" -20	10
6	TS-0271031	Socket Set Screw	3/8"-16 x 3/8"	2
7	3575081	Fluoroway Pad		2
8	XF2-108	Pad Set		1
9	XF2-9	Carriage Bolt	1/4"-20 x 3/4"	10
10	TS-081D022	Pan Head Machine Screw	10-32 x 3/8"	2
11	TS-0680021	Flat Washer	1/4"	2
12	HF2-112	Cursor		1
13	HF2-113	XACTA Fence Label		1
14	XF2-129	JET Label		1
15	TS-0640071	Lock Nut	1/4"-20	1
16	TS-0640081	Lock Nut	5/16"-18	1
17	XF2-117	Spring Pin	4mm x 28	1
18	6813042	Compression Spring		1
19	TS-0151041	Carriage Bolt	1/4"-20 x 1-1/2"	1
20	TS-0152031	Carriage Bolt	5/16"-18 x 1-1/2"	1
21	3215302	Foot Cam		1
22	3076232	Lock Cam		1
23	6430055	Knob w/stud	3/8"-16 x 5/8"	1
24	XF-5	Nylon Adjustment Screw		2



Parts for XACTA Fence II Homeshop 30/52 Rail Assembly

Index No.	Part No.	Description	Size	Qty
	708929Z	XACTA 30" Homeshop Rail Set (includes #1-11)		
	708952Z	XACTA 52" Homeshop Rail Set (includes #1-11)		
1	HF2-201	Front Fence Rail - Standard		1
	HF2-201A	Front Fence Rail - Long Table		1
2	TS-0050071	Hex Head Cap Screw (30" Table)	1/4"-20 x 1-1/2"	12
	TS-0050071	Hex Head Cap Screw (52" Table)	1/4"-20 x 1-1/2"	14
3	TS-0680021	Flat Washer (30" Table)	1/4"	30
	TS-0680021	Flat Washer (52" Table)	1/4"	35
4	TS-0720071	Lock Washer (30" Table)	1/4"	18
	TS-0720071	Lock Washer (52" Table)	1/4"	21
5	TS-0561011	Hex Nut(30" Table)	1/4"-20	12
	TS-0561011	Hex Nut (52" Table)	1/4"-20	14
6	TS-0050031	Hex Head Cap Screw (30" Table)	1/4"-20 x 3/4"	6
	TS-0050031	Hex Head Cap Screw (52" Table)	1/4"-20 x 3/4"	7
7	XF2-207	Scale (52")		1
	XF2-207A	Scale (30")		1
8	HF2-208	Front Fence Guide – Standard	30"	1
	HF2-208A	Front Fence Guide – Long Table	52"	1
9	HF2-209	Back Fence Rail – Standard	30"	1
	HF2-209A	Back Fence Rail – Long Table	52"	1
10	HF2-103	Tube Plug		2
11	HF2-211	Hardware Kit (Standard – 30") – not shown		1
	HF2-211A	Hardware Kit (Long Table – 52") – not shown		1



Parts for the XACTA Fence II Homeshop 30/52 Leg Assembly

Index No.	Part No.	Description	Size	Qty
1	XF2-301	Leg		2
2	TS-0561031	Hex Nut	3/8"-16	2
3	XF2-303	Adjusting Foot		2
4	TS-1533052	Machine Screw	M5×16	8
5	XF2-305	Metal Insert	30 x 30 x 3/8"	2

