



# Owner's Manual XACTA<sup>®</sup> Fence II Commercial 30/50

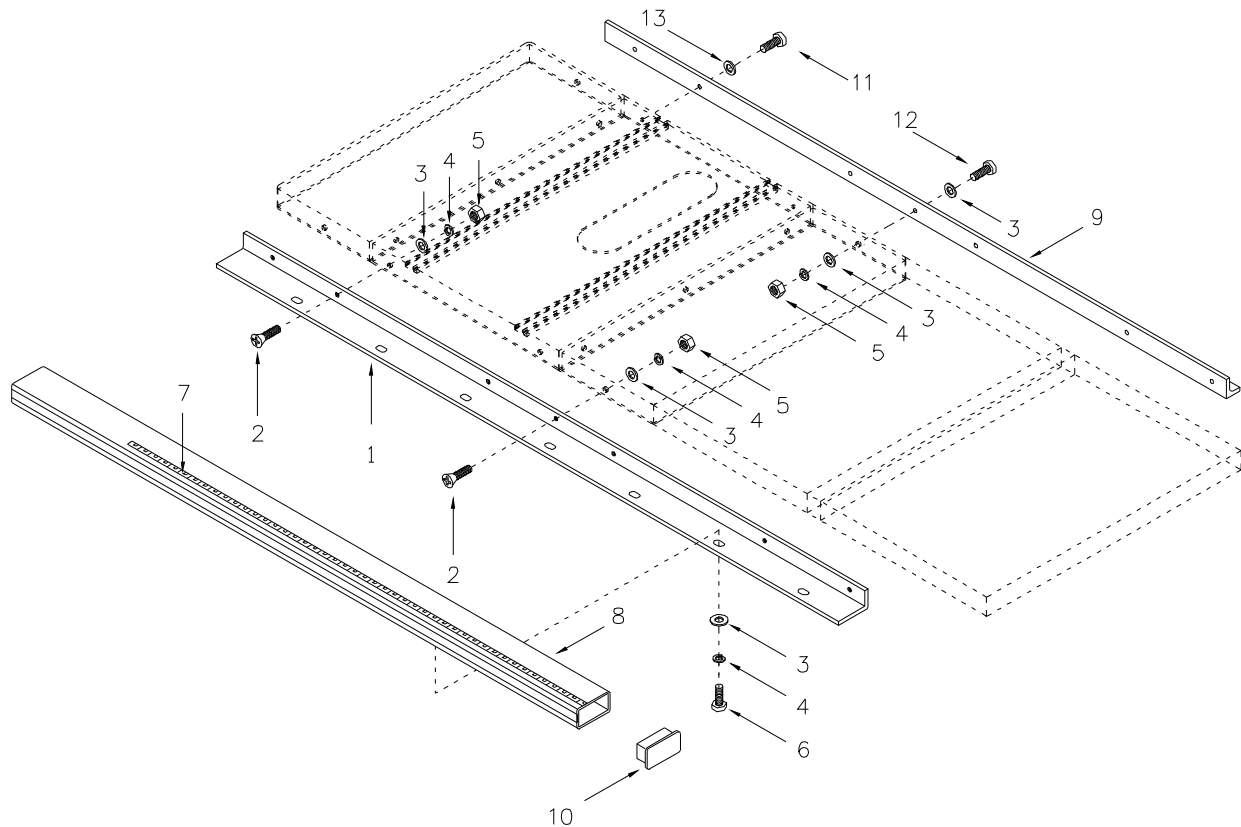


**JET**  
427 New Sanford Road  
LaVergne, Tennessee 37086  
Ph.: 800-274-6848  
www.jettools.com

**Part No. M-708950Z**  
Revision L 10/2014  
Copyright © 2014 JET

## Parts for the XACTA Fence II Rail Assembly

| Index No. | Part No.   | Description                            | Size             | Qty   |
|-----------|------------|--|------------------|-------|
| .....     | 708930Z    | XACTA II 30" Rail Set (includes #1-13) | .....            | ..... |
| .....     | 708951Z    | XACTA II 50" Rail Set (includes #1-13) | .....            | ..... |
| 1         | XF2-201    | Front Rail (50")                       | .....            | 1     |
| .....     | XF2-201A   | Front Rail (30")                       | .....            | 1     |
| 2         | TS-081F081 | Flat Head Screw                        | 1/4"-20 x 1-1/2" | 7     |
| 3         | TS-0680021 | Flat Washer                            | 1/4"             | 24    |
| 4         | TS-0720071 | Lock Washer                            | 1/4"             | 19    |
| 5         | TS-0561011 | Hex Nut                                | 1/4"-20          | 12    |
| 6         | TS-0050031 | Hex Cap Screw                          | 1/4"-20 x 3/4"   | 7     |
| 7         | XF2-207    | Scale (50")                            | .....            | 1     |
| .....     | XF2-207A   | Scale (30")                            | .....            | 1     |
| 8         | XF2-208    | Guide Rail (50")                       | .....            | 1     |
| .....     | XF2-208A   | Guide Rail (30")                       | .....            | 1     |
| 9         | XF2-209    | Rear Rail (50")                        | .....            | 1     |
| .....     | XF2-209A   | Rear Rail (30")                        | .....            | 1     |
| 10        | XF2-210    | Guide cover                            | .....            | 2     |
| 11        | TS-0081031 | Hex Cap Screw                          | 5/16"-18 x 3/4"  | 2     |
| 12        | TS-0050071 | Hex Cap Screw                          | 1/4"-20 x 1-1/2" | 5     |
| 13        | TS-0680031 | Flat Washer                            | 5/16"            | 2     |





427 New Sanford Road  
LaVergne, Tennessee 37086  
Phone: 800-274-6848  
[www.jettools.com](http://www.jettools.com)