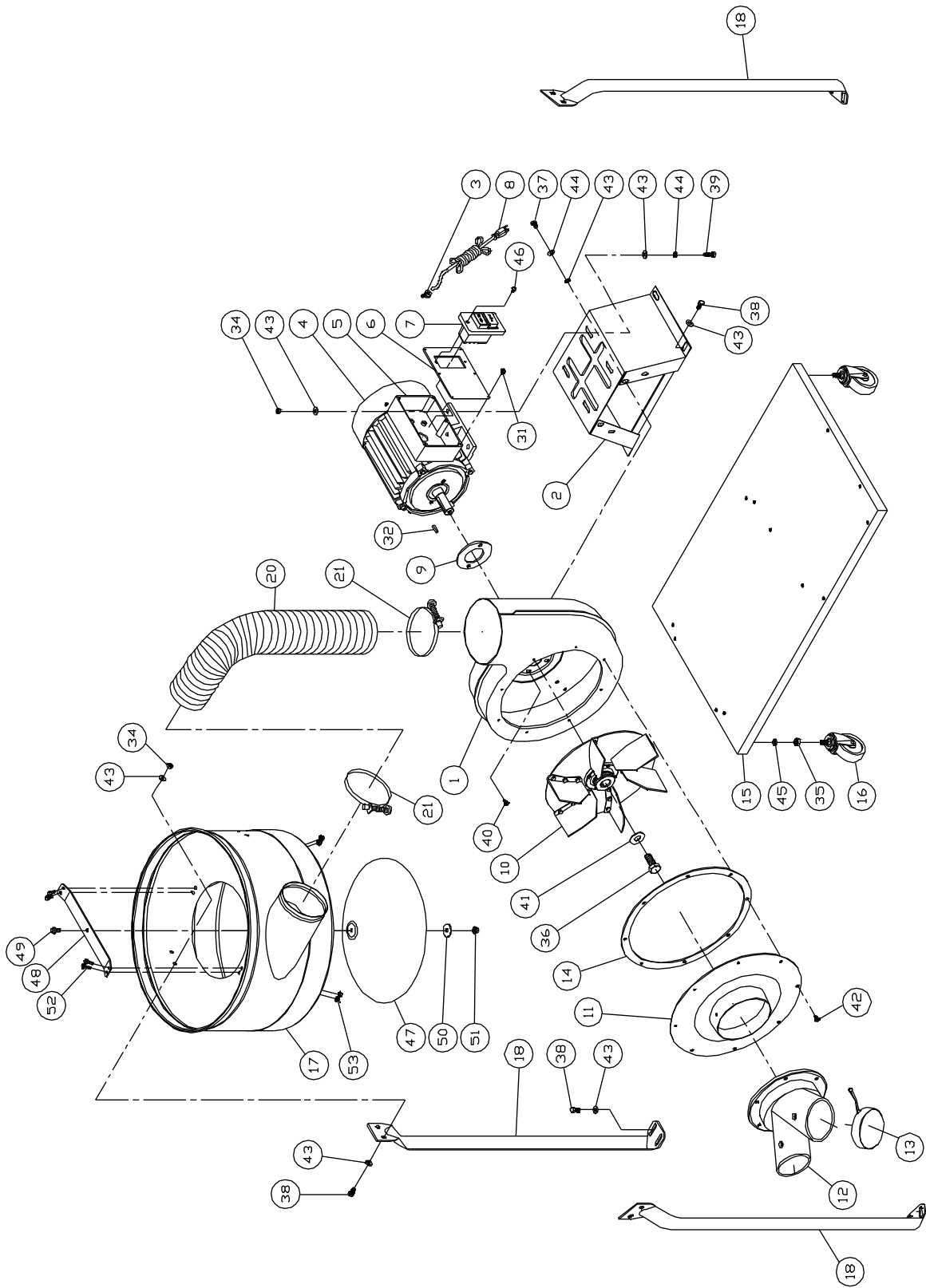


# Parts Breakdown for the DC-1200VX Dust Collector



# Ordering Replacement Parts

To order parts or reach our service department, call 800-274-6848, Monday through Friday (see our website for business hours, [www.waltermeier.com](http://www.waltermeier.com)). Having the Model Number and Serial Number of your machine available when you call will allow us to serve you quickly and accurately.

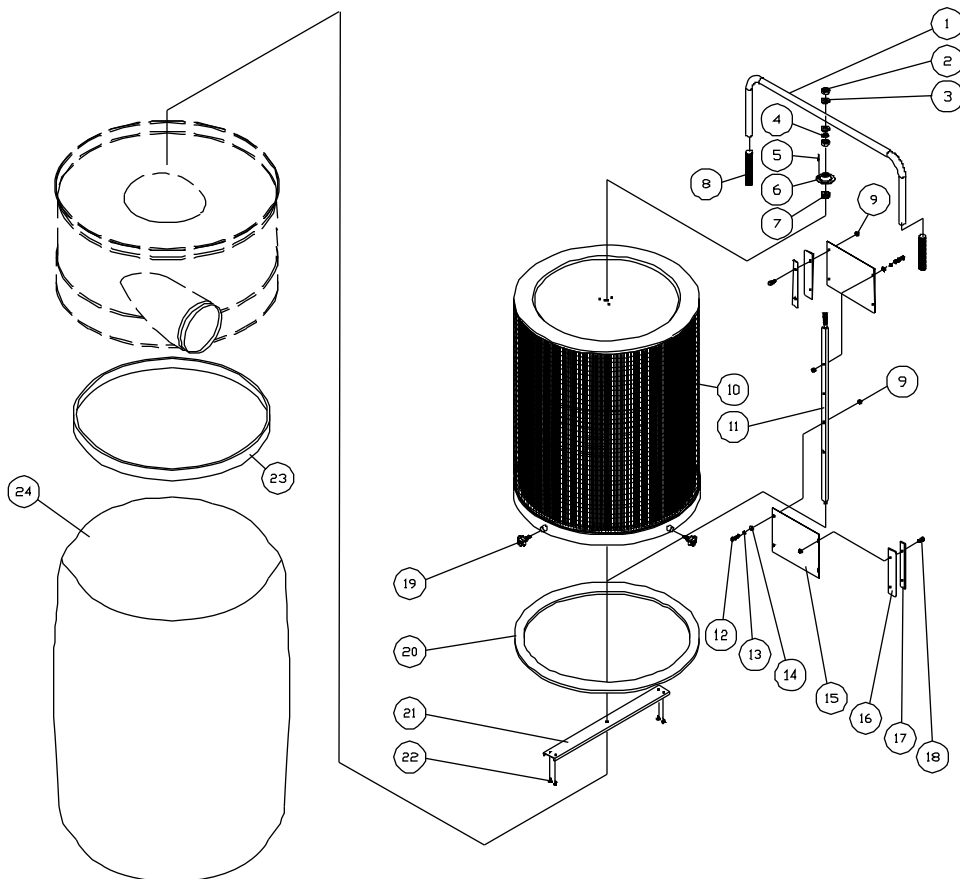
## Parts List for the DC-1200VX Dust Collector

Index No.	Part No.	Description	Size	Qty
1	411035W	Impeller Housing		1
2	411026W	Motor Bracket		1
3	998621	Strain Relief		1
4	MA411003	Motor	2 HP, 1Ph	1
	MA411003-3	Motor	2 HP, 3 Ph	1
	DC1100-50W	Motor Fan Cover (not shown)		1
	MF411012	Motor Fan (not shown)		1
	CA003030	Running Capacitor (not shown)	30MFD, 300V	1
	CA020010	Starting Capacitor (not shown)	200MFD, 125V	1
5	411051	Switch Box		1
6	411053	Switch Plate		1
7	994542	Switch	1 Ph	1
	DC1900-23B	Switch	3 Ph	1
8	IC420002	Power Cord	1 Ph	1
	IC420002-3	Power Cord	3 Ph	1
9	420051	Motor Packing		1
10	AB411059	Impeller	12"	1
11	411036W	Inlet Guard		1
12	427028	Inlet Port	2 @ 4"	1
13	420203	Inlet Cap		2
14	430034	Inlet Flange Packing		1
15	411041W	Base		1
16	402036	Pivoting Caster		4
17	420012W	Housing		1
18	402004W	Support		3
20	411009	Hose	5"x65(CM)	1
21	420010	Ring Clamp	5"	2
31	ST039304	Tapping Screw	M3.5x12(AB)	6
32	KS050525	Key	5x5x25	1
34	TS-1540061	Nut	M8	10
35	TS-0561031	Nut	3/8"-16UNC	4
36	SH080402	Hex Head Bolt	M8x20 L.H	1
37	TS-1490011	Hex Head Bolt	M8x12	4
38	TS-1490021	Hex Head Bolt	M8x16	16
39	TS-1490041	Hex Head Bolt	M8x25	4
40	TS-1554041	Pan Head Bolt W/Flange	M6x12	2
41	TS-0680031	Flat Washer	M8	1
42	TS-1554041	Pan Head Bolt W/Flange	M6x12	8
43	TS-0680031	Flat Washer	M8	34
44	TS-0720081	Spring Washer	M8	8
45	TS-1551071	Spring Washer	M10	4
46	ST059304	Tapping Screw	M5x12	2
47	DC1100-47	Cone		1
48	DC1100-47-1	Support Bracket		1
49	TS-1490021	Hex Cap Screw	M8x16	1
50	TS-1550061	Flat Washer	M8	1
51	TS-1540061	Hex Nut	M8	1
52	TS-1482021	Hex Head Bolt	M6x12	4
53	TS-2311061	Hex Nut	M6	4

Index No.	Part No.	Description	Size	Qty
.....	DC1200A-NP	Name Plate (not shown)		1
.....	DC1100-HP	Hardware Package (not shown)		1
.....	DC1100-HP2	Hardware Package for cone assy (index # 49 thru 53)		1
.....	DC1200A-CS	Centrifugal Switch (not shown)		1
.....	DC1900-53	Warning Label (not shown)		1
.....	DC1200-53	Grounding Label (not shown)		1
.....	DC1200-54	Direction Label (not shown)		1

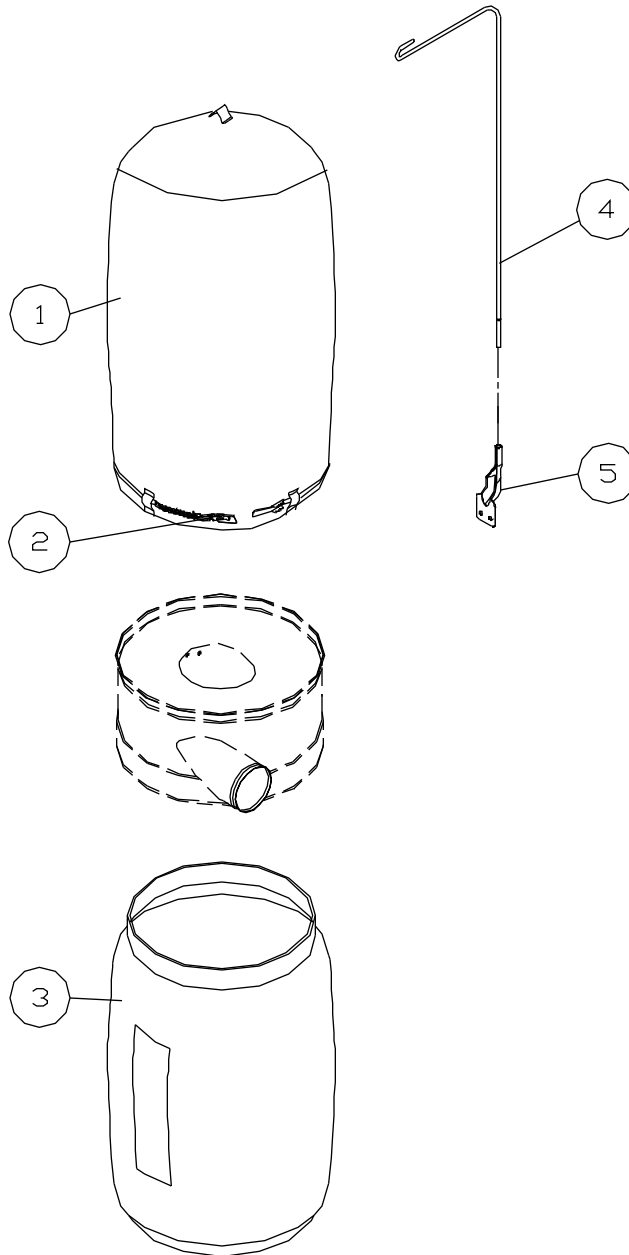
# Canister Filter Kit (708639B)

Index No.	Part No.	Description	Size	Qty
.....	708639B.....	Canister Filter Kit ( <i>index #1-24</i> ).....		
1.....	331050.....	Handle.....		1
2.....	TS-1540071.....	Hex Nut.....	M10	2
3.....	TS-1550071.....	Flat Washer.....	M10	2
4.....	TS-2361101.....	Lock Washer.....	M10	1
5.....	BR000052.....	Rivet.....	5-2	3
6.....	331014.....	Bracket.....		1
7.....	150623.....	Pad.....		1
8.....	331051.....	Soft Grip Handle.....		2
9.....	TS-1540041.....	Hex Nut.....	M6	8
10.....	708739.....	Filter.....		1
11.....	331052.....	Shaft.....		1
12.....	TS-1482041.....	Hex Cap Screw.....	M6X20	4
13.....	TS-2361061.....	Lock Washer.....	M6	4
14.....	TS-1550041.....	Flat Washer.....	M6	4
15.....	331012.....	Scraper.....		2
16.....	331017.....	Strip.....		2
17.....	331015.....	Press Plate.....		2
18.....	TS-1482021.....	Hex Cap Screw.....	M6x12	4
19.....	331037.....	Knob.....		4
20.....	331031.....	Pad.....		1
21.....	331009.....	Support.....		1
22.....	ST049200.....	Tapping Screw.....	M4X8	4
23.....	331038.....	Snap Ring.....		1
24.....	709563.....	Plastic Bag.....		5
.....	DC1100-CHP.....	Canister Hardware Package.....		



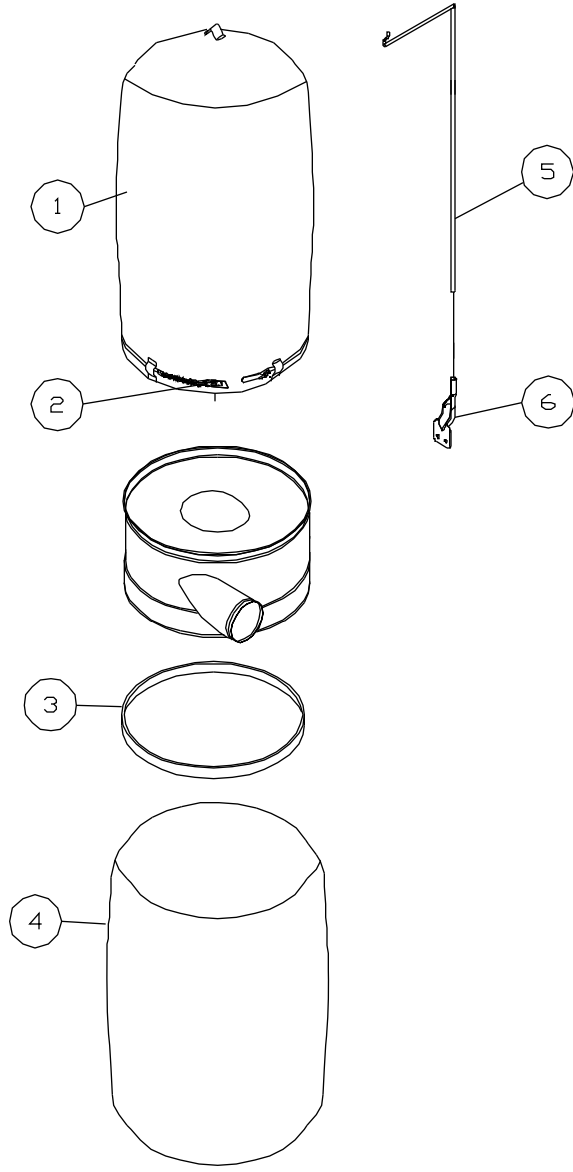
### 30 Micron Filter Bag Kit (708636F)

Index No.	Part No.	Description	Size	Qty
.....	708636F	30 Micron Filter Bag Kit ( <i>index #1-5</i> )	.....	.....
1	708698	Filter Bag	30 Micron Bag	1
2	AB410012	Retainer Strap		1
3	708699A	Collection Bag		1
4	430038	Hanger	30 Micron Bag Hanger	1
5	523011W	Hanger Bracket		1

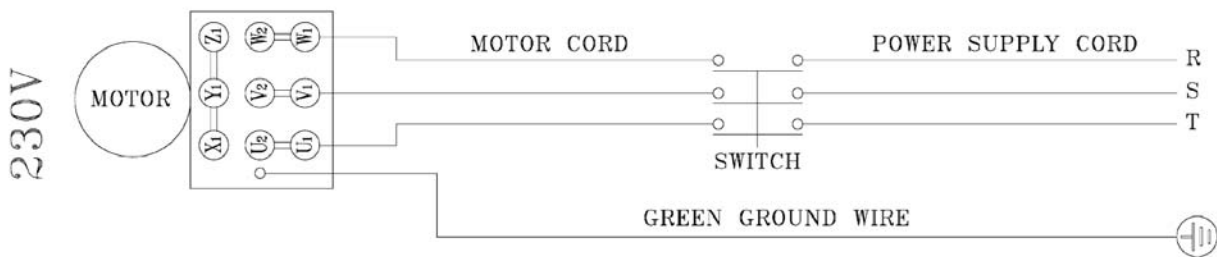
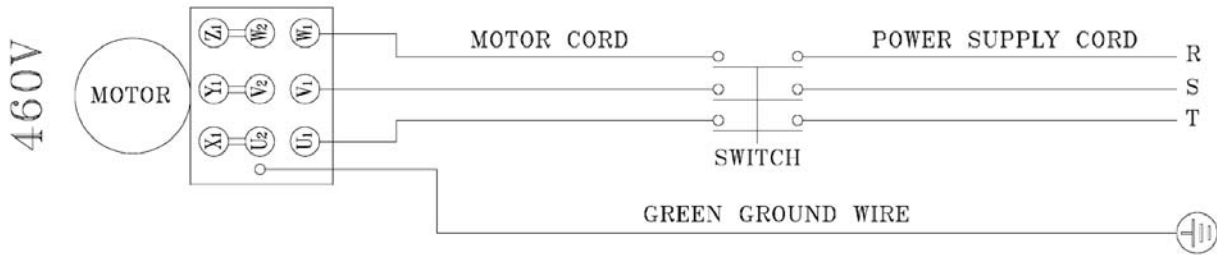


### 5-Micron Filter Bag Kit (708636MF) *Optional Accessory*

Index No.	Part No.	Description	Size	Qty
.....	708636MF .....	5-Micron Filter and Collection Bag Kit ( <i>index # 1-6</i> ).....		
1.....	708706.....	Filter Bag .....	5 Micron.....	1
2.....	AB410012 .....	Retainer Strap.....		1
3.....	331038.....	Snap Ring.....		1
4.....	709563.....	Plastic Bag (Package of 5).....		1
5.....	430038.....	Hanger.....		1
6.....	523011W .....	Hanger Bracket .....		1



### Wiring Diagram For 3 Phase 230/460V Dust Collector (DC-1200VX)



### Wiring Diagram For Single Phase 230V Only Dust Collector (DC-1200VX)

