

Type: CCG 18-115 BLPD-SEC (18V)
Part no.: 71200909940

Item	Part no.	Designation	Quantity
10	54113016840	Motor	1
50	31506423000	Intermediate gear box	1
60	41701207260	Grooved ball bearing	1
70	30901420000	Spring	2
80	30760229000	Electronics	1
85	30240410000	Block	6
90	43081000001	Screw	6
95	42616034007	Circlip	1
100	31912119030	Motor housing	1
110	31415183000	Pressure piece	4
120	30762654990	Electronics	1
130	30728445000	Terminal	4
140	32816723010	Rocker switch	1
170	32427190000	Cover	1
190	43074008000	Screw	14
200	43074010000	Screw	7
220	31415171000	Pressure piece	1
230	30103063000	Clutch	1
245	32119156020	Switch module	1
250	30240411000	Ring	2
260	31506424000	Intermediate gear box	1
415	31206172020	Gearbox housing	1
460	41701000023	Grooved ball bearing	1
470	42616001005	Circlip	1

Type: CCG 18-115 BLPD-SEC (18V)
Part no.: 71200909940

Item	Part no.	Designation	Quantity
480	33406368000	Shaft	1
505	33809248050	Bevel gear	1
510	32624122020	Washer 0,1	1
540	32416118000	Plate	1
550	43064002043	Screw	3
580	40612000000	Sealing ring	1
600	43064024043	Screw	4
610	32408450000	Disc	1
620	30240331000	Lever	1
630	30901403000	Spring	1
640	33024077000	Screw	1
650	30240331010	Lever	1
820	42401019085	Disc	1
845	32424053010	Rocker switch	1
865	32424054010	Rocker switch	1
870	42001009080	Hex nut	1
880	32424052000	Stop button	1
910	63801183010	Inner flange	1
930	63802198000	Quick-clamping nut	1
940	31810321000	N.A.	1
950	32119155020	Handle half shell	1
960	32119154020	Handle	1
2000	32217550060	Information sign	1
2010	32217520000	Information sign	1

Type: CCG 18-115 BLPD-SEC (18V)

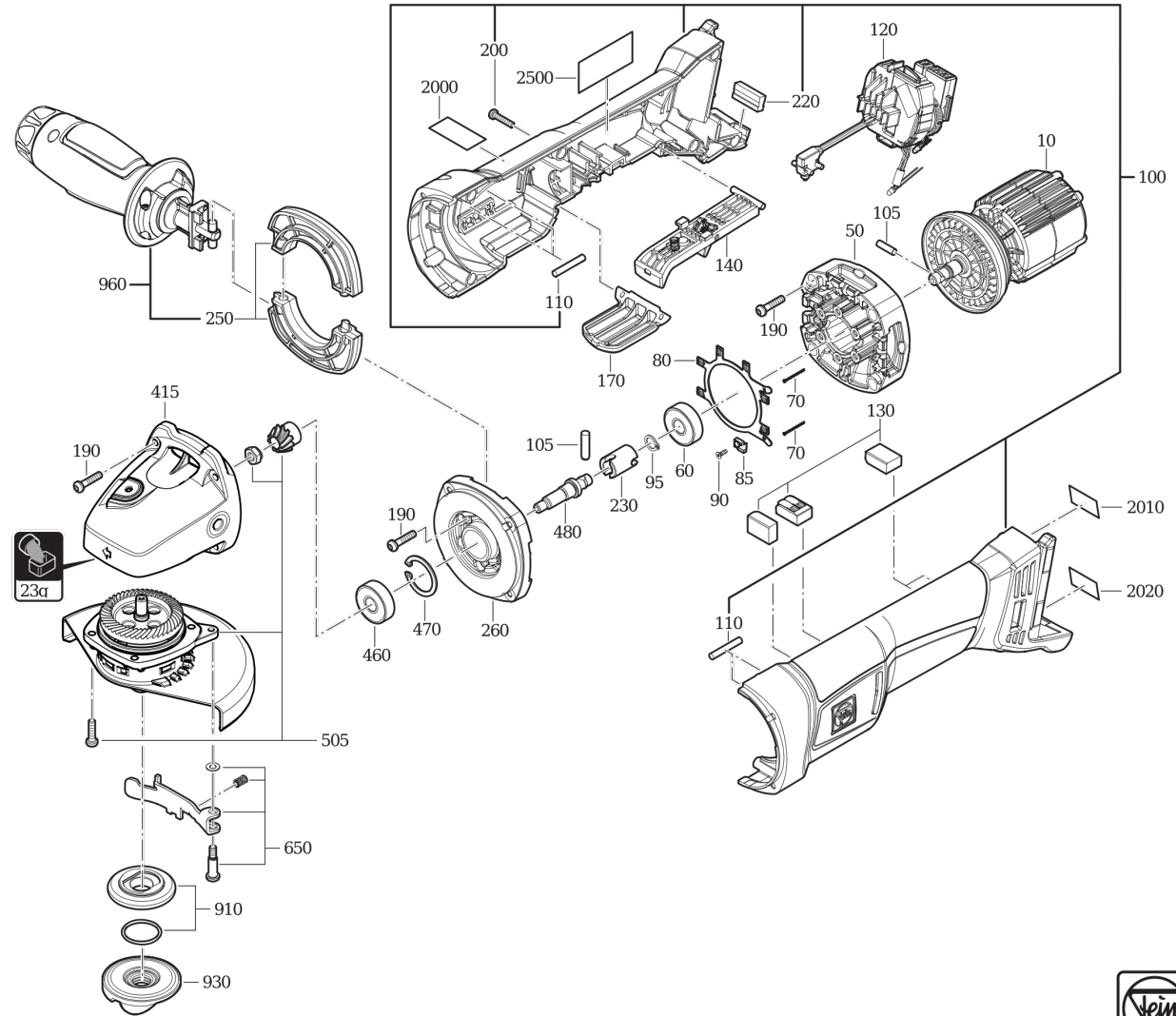
Part no.: 71200909940

Item	Part no.	Designation	Quantity	Price
2020	32217559000	Information sign	1	9
2500	32217517000	RFID Transponder VE1	1	9
5000	62910022002	Bidirectional nut spanner	1	9
5100	33901152630	Case	1	9
5220	33904652000	N.A.	1	9

Type:
Part no.:

CCG 18-115 BLPD-SEC (18V)
71200909940

7 120 08 - CCG 18 -125 BLPD-SEC
7 120 09 - CCG 18 -115 BLPD-SEC



Type:
Part no.:

CCG 18-115 BLPD-SEC (18V)
71200909940

7 120 08 - CCG 18 -125 BLPD-SEC
7 120 09 - CCG 18 -115 BLPD-SEC

