

Type: AKFH 18-5 T (18V)
Part no.: 71380209940

Item	Part no.	Designation	Quantity
10	54113016800	Motor ECG18	1
50	32416117000	Plate	1
60	41701207260	Grooved ball bearing	1
70	42615090002	Circlip	1
80	41701001260	Grooved ball bearing	1
90	30507236000	Bearing bush	1
105	31912119020	Motor housing Set	1
110	31415183000	Pressure piece	4
120	30762587990	Electronics	1
130	30728445000	Terminal	8
140	32805325000	Rocker switch	1
150	32816717000	Lever	1
160	30901307000	Spiral spring	1
170	30901411000	Spring	1
190	43074012000	Screw	4
200	43074010000	Screw	7
220	31415171000	Pressure piece	1
405	31206163030	Gearbox housing	1
410	41705006006	Needle sleeve	1
420	30217335005	Bolt	1
430	40612137008	Sealing ring	1
440	30901357005	Spiral spring	1
450	32805200008	Pushbutton	1
505	33809238030	Bevel gear	1

Type: AKFH 18-5 T (18V)
Part no.: 71380209940

Item	Part no.	Designation	Quantity
580	31428180000	Air guide ring	1
2500	32217517000	RFID Transponder VE1	1
3010	31350020000	Countersunk screw	4
3020	31350008000	Guide	1
3030	31350019000	Sealing ring	1
3040	31350007000	Adjusting ring	1
3050	31350015000	Adjusting ring	1
3070	31350076000	SX clamping screw	1
3080	31350001000	Shaft	1
3090	31350021000	Circlip	1
3100	31350013000	Grooved ball bearing	1
3110	31350006000	Gearbox housing	1
3120	31350017000	Screw	4
3130	31350004000	Spacer sleeve	1
3150	31350010000	Disc	1
3160	31350011000	Cup spring	1
3170	31350022000	Circlip	1
3180	32624122020	Washer 0,1	2
3180	32624122060	Washer 0,15	2
3190	31350018000	Sealing ring	1
3200	31350002000	Handle	1
3210	31350016000	Fillister head screw	2
5000	62912002010	Socket head wrench, WAF 4	1
5010	62912004010	T15 torx wrench	1

Type: AKFH 18-5 T (18V)

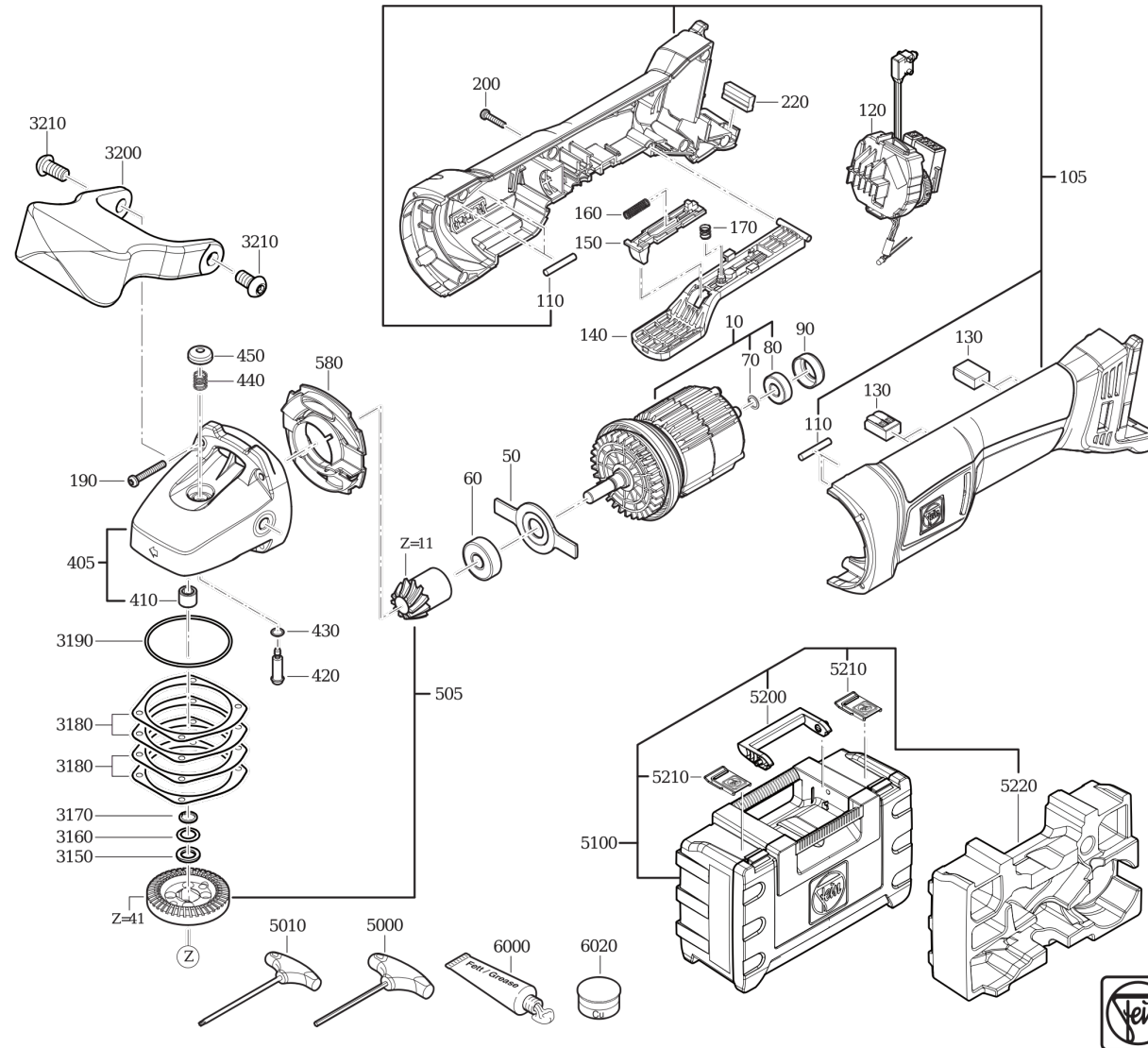
Part no.: 71380209940

Item	Part no.	Designation	Quantity
5100	33901152390	Plastic tool cases	1
5200	32119122000	Handle	1
5210	30232050000	Wire clamp	2
5220	33904590000	Case insert	1
6000	32160018000	Lubricant can 0,1 kg	1
6020	32132044010	Lubricant can CU-Paste	1

Type:
Part no.:

AKFH 18-5 T (18V)
71380209940

7 138 02 - AKFH 18-5 T



Type:
Part no.:

AKFH 18-5 T (18V)
71380209940

7 138 02 - AKFH 18-5 T

