



Operating Instructions and Parts Manual Woodworking Band Saws

Model JWBS-15, JWBS-18, JWBS-20



For serial nos.:

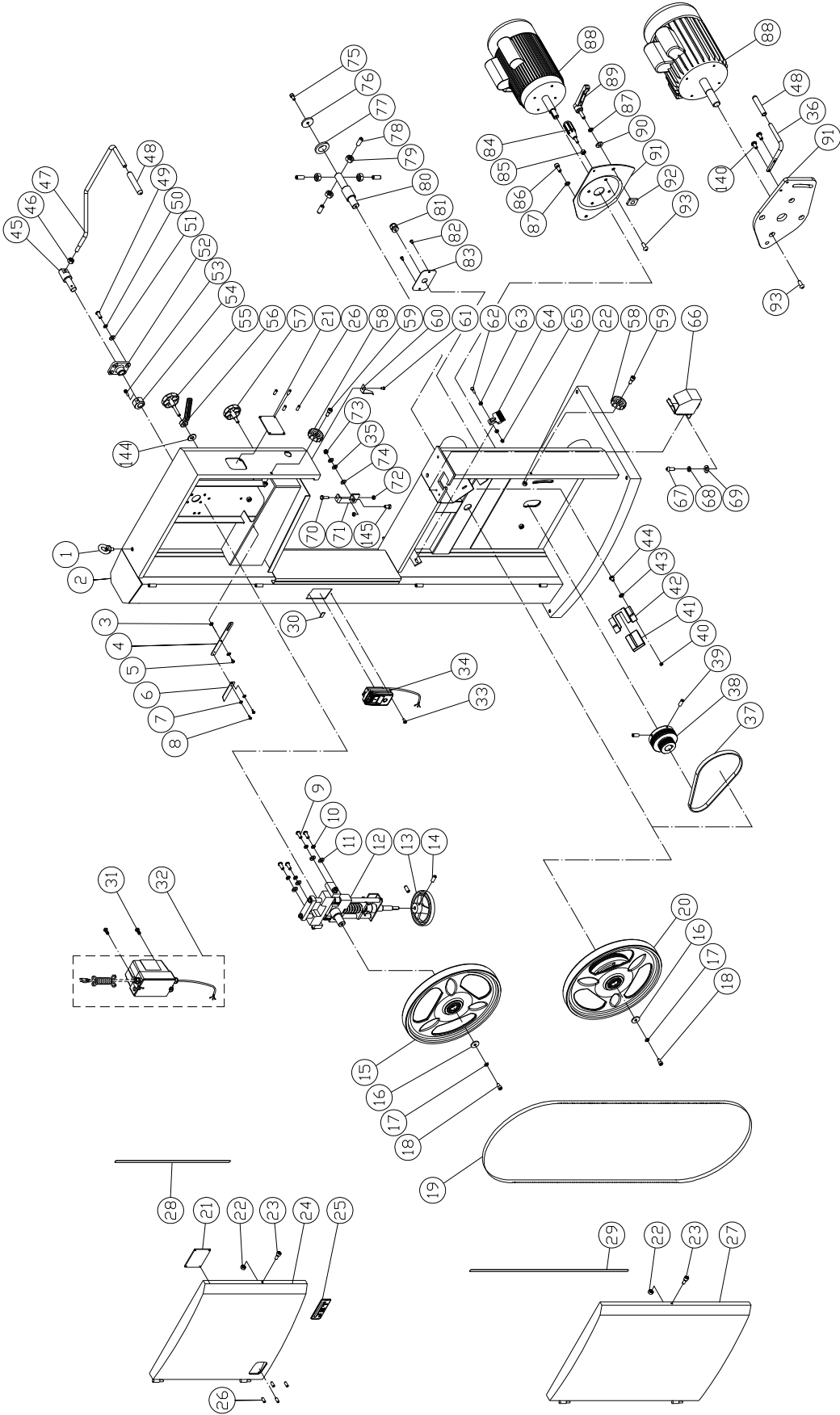
JWBS-15: 17120226 and higher
JWBS-17: 18030001 and higher
JWBS-18: 17110021 and higher

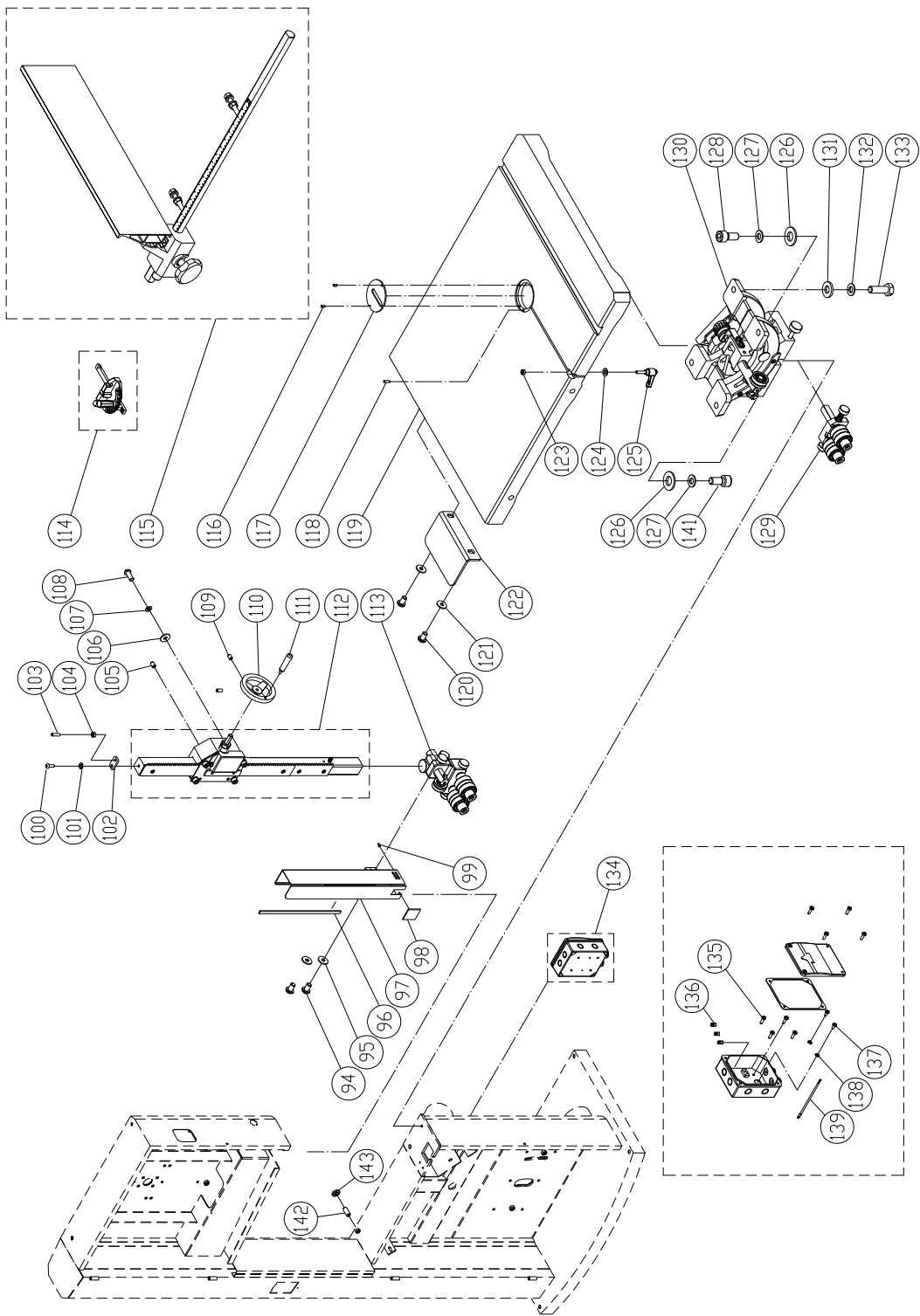
JWBS-20 shown

JET
427 New Sanford Road
LaVergne, Tennessee 37086
Ph.: 800-274-6848
www.jettools.com

Part No. M-714600
Edition 5 09/2018
Copyright © 2017 JET

13.17.1 JWBS-20 Bandsaw Assembly – Exploded View





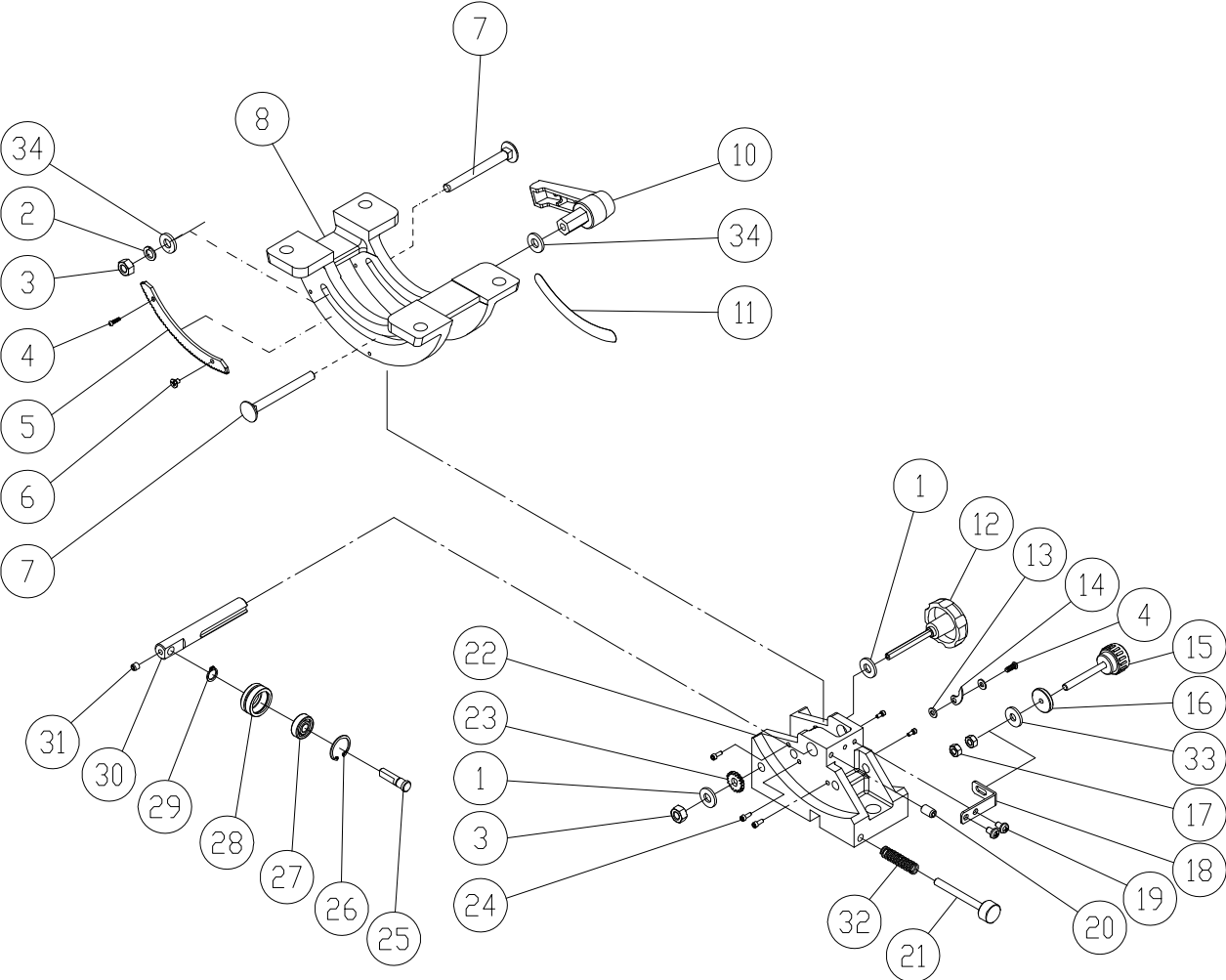
13.17.2 JWBS-20 Bandsaw Assembly – Parts List

Index No.	Part No.	Description	Size	Qty
1	PM1500-004	Lifting Ring	M10	1
2	JWBS20B-102	Machine Main Body Frame		1
3	TS-1550041	Flat Washer	M6xØ13	2
4	JWBS18B-106	Tension Pointer		1
5	PM1500-012	Step Screw		1
6	PM2013B-169	Tension Scale Indicator		1
7	TS-1550021	Flat Washer	M4	2
8	F001171	Pan Head Screw	M4x5	2
9	TS-2248202	Socket Head Button Screw	M8x20	4
10	TS-2361081	Spring Washer	M8	4
11	TS-1550061	Flat Washer	M8	4
12	JWBS20B-112	Upper Wheel Sliding Bracket Assembly		1
13	JWBS15-114	Handle Wheel	6"	1
14	TS-1503051	Socket Head Cap Screw	M6x20	2
15	PM2013B-018	Upper Wheel Assembly	20"	1
16	PM1800B-017	Special Washer		2
17	TS-2361081	Spring Washer	M8	2
18	TS-1504041	Socket Head Cap Screw	M8x20	2
19	JWBS20B-119	Saw Blade	158"Lx 1" W x 0.036" T x 3 TPI	1
20	JWBS20B-120	Lower Wheel Assembly	Ø20"	1
21	PM1500-050	Viewing Window		2
22	TS-1541021	Nylon Nut	M6	4
23	TS-1503021	Socket Head Cap Screw	M6x10	2
24	JWBS20B-124	Upper Door		1
25	JET-138-R2000	Jet Logo	138x57mm	1
26	TS-1501021	Socket Head Cap Screw	M4x8	8
27	JWBS20B-127	Lower Door		1
28	JWBS20B-138	Sponge	585x10mm T=1	1
29	JWBS15-140	Sponge	760x10mm T=1	1
30	JWBS15-141	Sponge	16x5mm T=2	1
31	TS-1533052	Pan Head Screw	M5x16	2
32	JWBS15-146	Magnetic Switch Assembly	3HP only	1
	JWBS15-146CS	Contact Switch (not shown)		1
	JWBS15-146OP	Overload Protector (not shown)		1
	JWBS20B-132A	Magnetic Switch Assembly	5HP 230V	1
	JWBS20B-132ACS	Contact Switch (not shown)		1
	JWBS20B-132AOP	Overload Protector (not shown)		1
	JWBS15-104B	Power Cord	3HP	1
33	TS-1532032	Pan Head Screw	M4x10	1
34	JWBS15-143B	Control Switch Assembly	3HP/ 5HP	1
	JWBS15-143BSK	Safety Key for JWBS15-143B (not shown)		1
35	PM1800B-159	Special Washer	16x8.2x0.4T	2
36	JWBS20B-136	Motor Adjust Handle		1
37	JWBS18B-150	Poly-V Belt	430J10	1
38	JWBS20B-138MP	Motor Pulley		1
39	TS-1523041	Set Screw	M6x12	2
40	TS-2311061	Hex Nut	M6	2
41	JWBS18DX-249	Dust Collect Insert		1
42	JWBS15-155	Fixed Plate		1
43	TS-2361061	Spring Washer	M6	2
44	TS-2246122	Socket Head Button Screw	M6x12	2
45	PM1500-074	Tension Quick Release Lever Shaft		1
46	TS-1540083	Hex Nut	M12	1
47	JWBS18B-160	Tension Quick Release Lever		1
48	JWBS15-161	Grip		2
49	TS-2248202	Socket Head Button Screw	M8x20	4
50	TS-2361081	Spring Washer	M8	4
51	TS-1550061	Flat Washer	M8xØ18	4
52	PM1500-070	Shaft Fixed Block		1
53	TS-1503061	Socket Head Cap Screw	M6x25	1

Index No.	Part No.	Description	Size	Qty
54	PM1500-069	Cam		1
55	JWBS15-168	Lock Knob	M10x53	1
56	PM1500-068	Lock Handle	M10	1
57	JWBS15-170	Lock Knob	M10x25	1
58	135041	Knob		2
59	TS-1503051	Socket Head Cap Screw	M6x20	2
60	JWBS15-173	Pointer		1
61	JWBS15-174	Pan Head Screw	M5x6	1
62	TS-1482051	Hex Cap Screw	M6x25	1
63	TS-1550041	Flat Washer	M6	2
64	PM1500-058	Brush		1
65	TS-1541021	Nylon Nut	M6	1
66	JWBS18B-179	Lower Blade Guard		1
67	TS-2246082	Socket Head Button Screw	M6x8	2
68	TS-2361061	Lock Washer	M6	2
69	TS-1550041	Flat Washer	M6	2
70	TS-1490071	Hex Cap Screw	M8x40	1
71	JWBS15-184	Support Plate		1
72	TS-2311081	Hex Nut	M8	1
73	TS-1541031	Hex Nylon Lock Nut	M8	1
74	TS-1550061	Flat Washer	M8	2
75	TS-1504041	Socket Head Cap Screw	M8x20	1
76	PM1800B-088	Washer		1
77	PM1800B-087	Plate		1
78	TS-2279301	Set Screw	M10x30	4
79	TS-1541041	Hex Nut	M10	4
80	PM1800B-084	Lower Wheel Shaft		1
81	PM1500-062	Strain Relief	PG13.5	1
82	PM1500-039	Tapping Screw	M4x8	2
83	JWBS15-196A	Strain Relief Fixed Plate		1
84	JWBS15-197	Handle		1
85	TS-1540061	Hex Nut	M8	1
86	TS-149105	Hex Cap Screw	M10x35	1
87	TS-2361101	Spring Washer	M10	2
88	JWBS20B-188	Motor	3HP/230V	1
	JWBS18B-1101FM	Motor Fan (not shown)		1
	JWBS18B-1101FMC	Motor Fan Cover (not shown)		1
	JWBS18B-1101SC	Start Capacitor (not shown)	300MFD, 250VAC	1
	JWBS18B-1101RC	Running Capacitor (not shown)	60µF, 300VAC	1
	JWBS18B-1101JB	Junction Box (not shown)		1
	JWBS18B-1101JBC	Junction Box Cover (not shown)		1
	JWBS18B-1101CS	Centrifugal Switch (not shown)		1
	JWBS20B-188A	Motor	5HP/230V	1
	PM1800B-120MF	Motor Fan (not shown)		1
	PM1800B-120MFC	Motor Fan Cover (not shown)		1
	PM1800B-120SC	Starting Capacitor (not shown)	300MFD, 250VAC	1
	PM1800B-120RC	Running Capacitor (not shown)	45µf, 450VAC	1
	PM1800B-120CC	Capacitor Cover (not shown)		1
	PM1800B-120JB	Junction Box (not shown)		1
	PM1800B-120JBC	Junction Box Cover (not shown)		1
	PM1800B-120CS	Centrifugal Switch (not shown)		1
89	PM1500-015	Motor Bracket Lock Handle	M10x33	1
90	TS-1550071	Flat Washer	M10	1
91	JWBS15-1104	Motor Bracket		1
	JWBS20B-191A	Motor Bracket	5HP	1
92	PM1500-038	Locating Block		1
93	TS-2248202	Socket Head Button Screw (3HP)	M8x20	4
	TS-1515031	Socket Flat Head Screw (5HP)	M8x25	4
94	TS-1482031	Hex Cap Screw	M6x16	2
95	TS-1550041	Flat Washer	M6	2
96	JWBS15-1109	Magnet	7x340mm	1
97	JWBS18B-1110	Blade Guard Cover		1

Index No.	Part No.	Description	Size	Qty
98	PM1800B-093	Viewing Window		1
99	TS-1521011	Set Screw	M4x4	2
100	TS-2246122	Socket Head Button Screw	M6x12	1
101	TS-2361061	Spring Washer	M6	1
102	PM1800B-163	Locate Plate		1
103	F010432	Set Screw	M6x35	1
104	TS-1540041	Hex Nut	M6	1
105	JWBS15-1113	Set Screw	M8x6	4
106	TS-1550061	Flat Washer	M8	4
107	TS-2361081	Spring Washer	M8	4
108	TS-2248202	Socket Head Button Screw	M8x20	4
109	TS-1523041	Set Screw	M6x12	2
110	JWBS15-1118	Handwheel	5"	1
111	JWBS15-1119	Handle	M8	1
112	JWBS18B-1125	Guide Bracket Assembly		1
113	JWBS18B-1126	Upper Blade Guide Assembly		1
114	JWBS15-1122	Miter Gauge Assembly		1
115	JWBS18B-1128	Rip Fence Assembly		1
116	F012085	Roll Pin	Ø4x8 mm	2
117	JWBS15-1125	Table Insert		1
118	TS-1522011	Set Screw	M5x5	3
119	JWBS18B-1132	Table		1
120	TS-2246122	Socket Head Button Screw	M6x12	2
121	TS-1550041	Flat Washer	M6	2
122	JWBS20B-1122	Extension Plate		1
123	TS-1540061	Hex Nut	M8	1
124	TS-1550061	Flat Washer	M8	1
125	JWBS18B-1138	Handle	M8x35	1
126	TS-1550071	Flat Washer	M10	2
127	TS-2361101	Spring Washer	M10	2
128	TS-1505051	Socket Head Cap Screw	M10x35	1
129	JWBS18B-1142	Lower Blade Guide Assembly		1
130	JWBS15-1138	Trunnion Support Bracket Assembly		1
131	TS-1550061	Flat Washer	M8	4
132	TS-2361081	Spring Washer	M8	4
133	TS-1490041	Hex Cap Screw	M8x25	4
134	PM1800B-077	Wire Connection Box		1
135	PM1800B-155	Phillips Pan Head Machine Screw (Big)	M5x10	4
136	PM1800B-154	Wire Cap	P4	3
137	TS-1533032	Phillips Pan Head Machine Screw	M5x10	2
138	JWS25X-405	Star Washer	M5	2
139	PM1800B-151	Ground Wire		1
140	TS-2248202	Socket Head Button Screw	M8x20	2
141	TS-149105	Hex Cap Screw	M10x35	1
142	7015-48	Set Screw	M8x30	1
143	TS-1541031	Hex Nylon Lock Nut	M8	1
144	TS-1550071	Flat Washer	M10	1
145	TS-1490021	Hex Cap Screw	M8x16	1

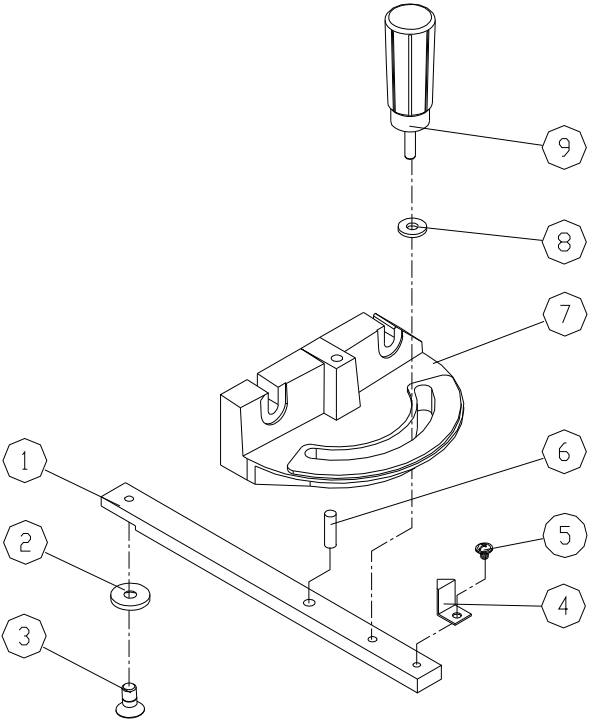
13.3.1 JWBS-15/18/20 Trunnion Support Bracket Assembly – Exploded View



13.3.2 JWBS-15/18/20 Trunnion Support Bracket Assembly – Parts List

Index No	Part No	Description	Size	Qty
	JWBS15-1138A	Trunnion Support Bracket Assembly (#1 thru 34)		
1	TS-1550061	Flat Washer	M8 x Ø23	2
2	TS-2361081	Lock Washer	M8	1
3	TS-1541031	Nylon Lock Hex Nut	M8	2
4	TS-2171012	Phillips Pan Head Machine Screw	M4x6	2
5	PM1500-085-05	Gear Rack		1
6	TS-2284061	Phillips Flat Head Machine Screw	M4x6	1
7	JWBS15-1138-307	Carriage Bolt	M8x90	2
8	PM1500-085-08	Trunnion Block		1
10	JWBS15-1138-310	Lock Handle		1
11	PM1500-085-11	Tilt Scale		1
12	PM1500-085-12	Adjustment Knob Bolt		1
13	TS-1550021	Flat Washer	M4 x Ø8	2
14	PM1500-085-14	Angle Pointer		1
15	JWBS15-1138-315	Adjustment Knob Bolt	M6	1
16	PM1500-085-16	Locking Ring		1
17	TS-2311061	Hex Nut	M6	2
18	PM1500-085-18	Adjustment Plate		1
19	5712561	Phillips Pan Head Machine Screw	M5x8	2
20	PM1500-085-20	Set Screw		1
21	PM1500-085-21	Lock Knob		1
22	JWBS15-1138-322	Trunnion Support Bracket		1
23	PM1500-085-23	Gear		1
24	TS-2235061	Socket Head Cap Screw	M5x6	6
25	PM1500-085-25	Adjustment Shaft		1
26	PM1500-085-26	Retaining Ring	R22	1
27	BB-608ZZ	Ball Bearing	608ZZ	1
28	PM1500-085-28	Thrust Bearing Holder		1
29	PM1500-085-29	Retaining Ring	S8	1
30	JWBS15-1138-330	Adjustment Bar		1
31	TS-1523011	Socket Set Screw	M6x6	1
32	JWBS15-1138-332	Spring		1
33	TS-1550041	Flat Washer	M6 x Ø19	1
34	JWBS15-1138-334	Flat Washer	M8 x Ø23x5t	2

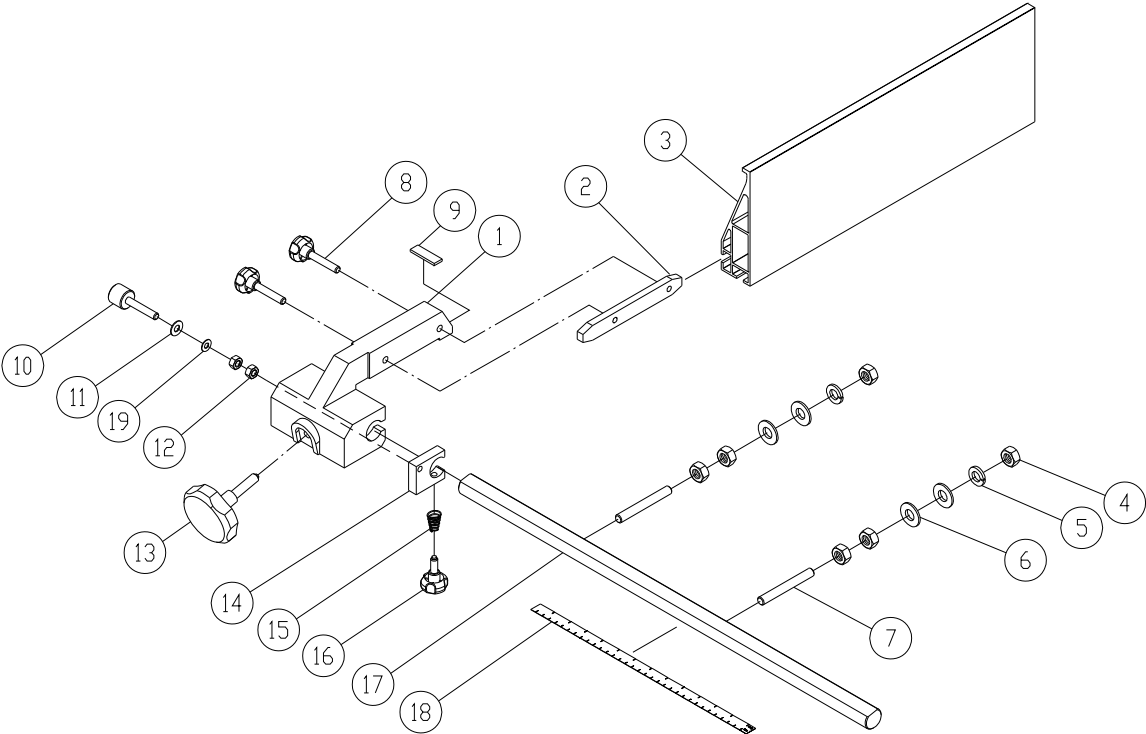
13.9.1 JWBS-15/18/20 Miter Gauge Assembly – Exploded View



13.9.2 JWBS-15/18/20 Miter Gauge Assembly – Parts List

Index No	Part No	Description	Size	Qty
.....	JWBS15-1122.....	Miter Gauge Assembly (#1 thru 9).....		
1	JWBS15-1122-701....	Guide Bar.....		1
2	JWBS15-1122-702....	Guide Piece		1
3	JWBS15-1122-703....	Countersunk Bolt	M6x6	1
4	JWBS15-1122-704....	Pointer		1
5	PWBS14-251-5	Pan Head Flanged Screw.....	M5x8	1
6	JWBS15-1122-706....	Steel Pin	Ø6x10mm	1
7	JWBS15-1122-707....	Miter Gauge Body.....		1
8	JWBS15-1122-708....	Nylon Washer		1
9	JWBS15-1122-709....	Handle		1

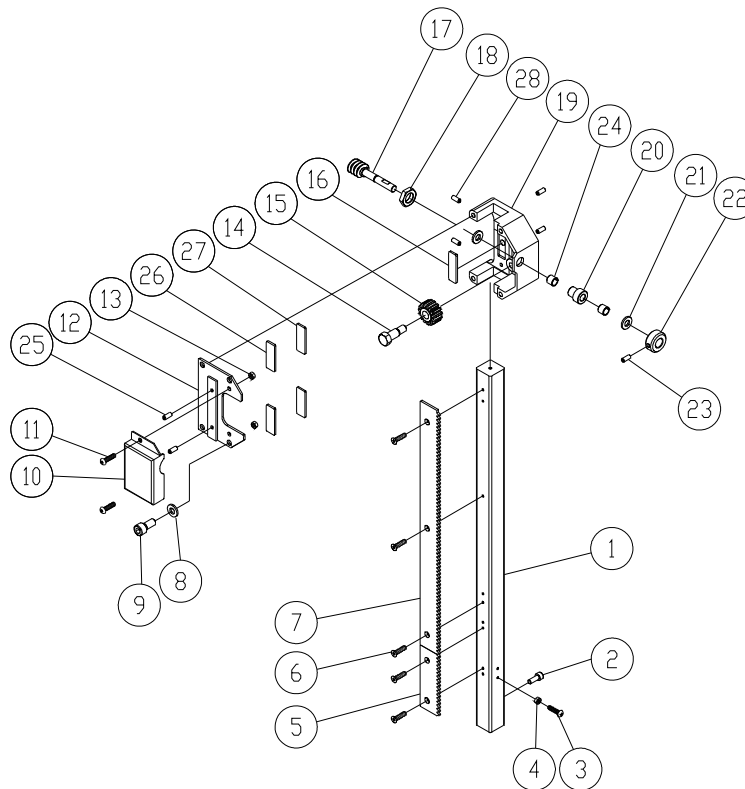
13.11.1 JWBS-18/20 Rip Fence Assembly – Exploded View



13.11.2 JWBS-18/20 Rip Fence Assembly – Parts List

Index No.	Part No.	Description	Size	Qty
	JWBS18B-1128	Rip Fence Assembly (#1 thru 18)		1
1	JWBS15-1123-201	Fence Body		1
2	JWBS15-1123-202	Lock Block		1
3	JWBS18B-1128-203	Aluminum Fence	572mm	1
4	TS-2311101	Nut	M10	6
5	TS-2361101	Spring Washer	M10	2
6	TS-1550071	Flat Washer	M10	4
7	JWBS15-1123-207	Set Screw	M10x80	2
8	JWBS15-1123-208	Knob	M8x40	2
9	PM1500-107-10	Nylon Pad		1
10	JWBS15-1123-210	Adjustment Knob	M8x50	1
11	JWBS15-1123-211	Fiber Washer		1
12	TS-1540061	Nut	M8	2
13	JWBS15-1123-213	Knob	M8x40	1
14	JWBS15-1123-214	Locate Block		1
15	PM1800B-059-017	Cone Spring		1
16	JWBS15-1123-216	Knob	M6x14	1
17	JWBS18B-1128-217	Fence Guide Rail		1
18	JWBS18B-1128-218	Scale		1
19	JWBS15-1123-219	Wave Washer	Ø8x13 mm	1

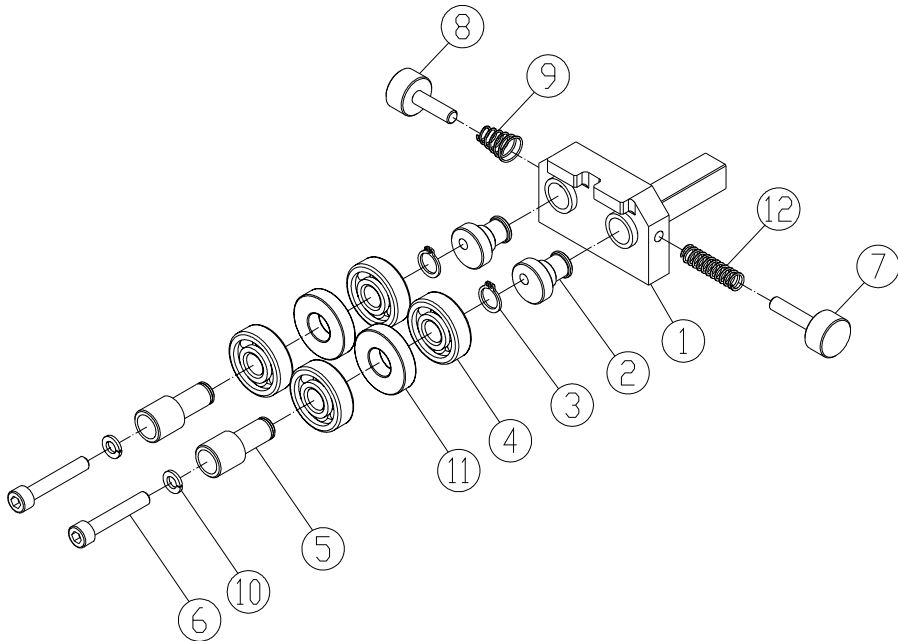
13.12.1 JWBS-18/20 Guide Bar Bracket Assembly – Exploded View



13.12.2 JWBS-18/20 Guide Bar Bracket Assembly – Parts List

Index No	Part No	Description	Size	Qty
	JWBS18B-1125	Guide Bar Bracket Assembly (#1 thru 28)		
1	JWBS18B-1125-401	Guide Bar		1
2	TS-1503021	Socket Head Cap Screw	M6x10	2
3	TS-1532032	Pan Head Screw	M4x10	1
4	TS-1540021	Nut	M4	1
5	PM1500-091-08	Guide Bar Rack (Short)		1
6	TS-2284081	Phillips Flat Head Machine Screw	M4x8	5
7	PM1500-091-20	Guide Bar Rack (Long)		1
8	TS-2361081	Spring Washer	M8	4
9	TS-1504031	Socket Head Cap Screw	M8x16	4
10	PM1500-091-04	Cover		1
11	TS-1534041	Pan Head Screw	M5x10	2
12	JWBS18B-1125-412	Cover		1
13	TS-1540031	Hex Nut	M5	2
14	PM1500-091-10	Fixed Screw		1
15	PM1500-091-11	Gear		1
16	PM1500-091-12	Fixed Plate		1
17	PM1500-091-13	Worm Shaft		1
18	JWBS15-1120-418	Nut		1
19	PM1500-091-15	Guide Bracket		1
20	PM1500-091-18	Bushing		1
21	PM1500-091-25	Fiber Washer		2
22	PM1500-091-19	Collar		1
23	TS-1522011	Set Screw	M5x5	2
24	JWBS15-1120-424	Bushing Bearing	DU 10x12	2
25	TS-1523011	Set Screw	M6x6	2
26	JWBS18B-1125-426	Plate		2
27	JWBS18B-1125-427	Nylon Piece		2
28	JWBS15-1120-425	Plastic Nylon Set Screw	M7x10	4

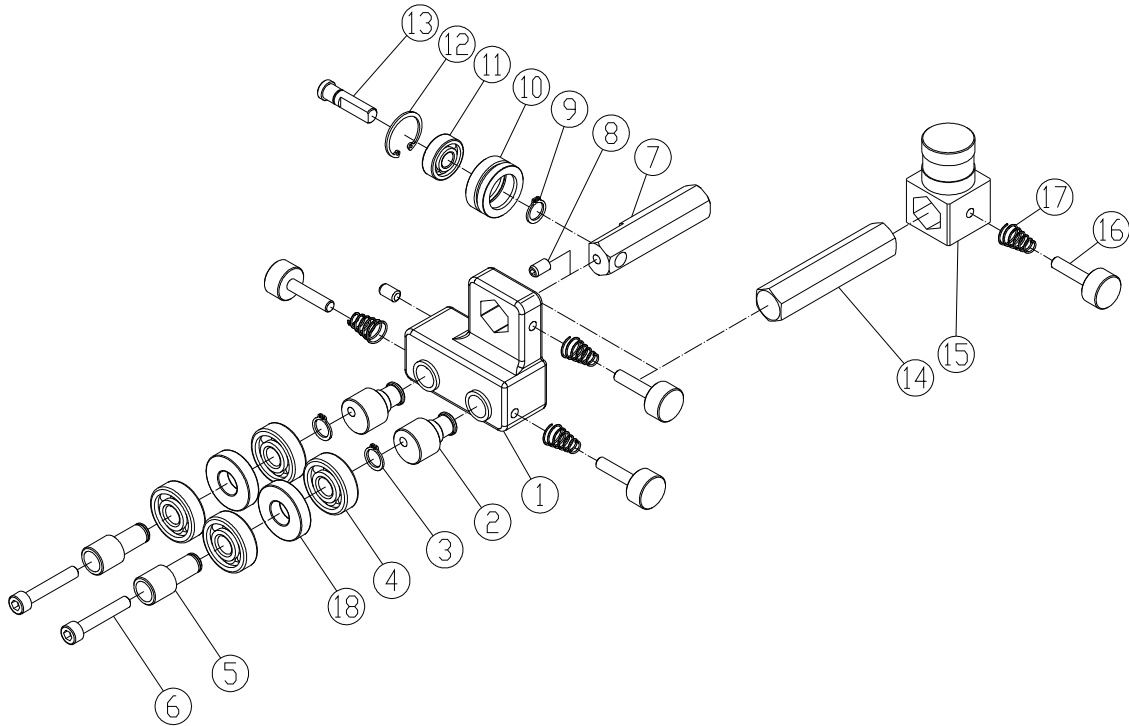
13.15.1 JWBS-18/20 Lower Blade Guide Assembly – Exploded View



13.15.2 JWBS-18/20 Lower Blade Guide Assembly – Parts List

Index No	Part No	Description	Size	Qty
	JWBS18B-1142	Lower Blade Guide Assembly (#1 thru 12)		1
1	PM1500-096-01	Lower Blade Guide Support		1
2	PM1500-096-02	Eccentric Shaft		2
3	PM1800B-059-05	Retaining Ring	S15	2
4	BB-6202ZZ	Ball Bearing	6202ZZ	4
5	PM1800B-059-02	Knurled Adjusting Knob		2
6	TS-1503101	Socket Head Cap Screw	M6x45	2
7	PM1500-095-16	Lock Knob		1
8	JWBS15-1137-508	Lock Knob		1
9	PM1800B-059-017	Cone Spring		1
10	TS-2361061	Spring Washer	M6	2
11	PM1800B-059-04	Spacer		2
12	JWBS15-1138-332	Spring		1

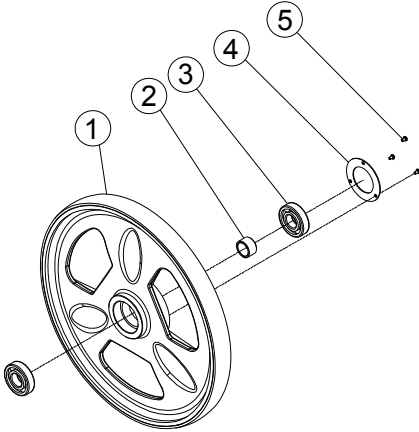
13.16.1 JWBS-18/20 Upper Blade Guide Assembly – Exploded View



13.16.2 JWBS-18/20 Upper Blade Guide Assembly – Parts List

Index No	Part No	Description	Size	Qty
	JWBS18B-1126	Upper Blade Guide Assembly (#1 thru 18)		
1	PM1500-095-01	Upper Blade Guide Support		1
2	PM1500-095-02	Eccentric Shaft		2
3	PM1800B-059-05	Retaining Ring	S15	2
4	BB-6202ZZ	Ball Bearing	6202ZZ	4
5	PM1800B-059-02	Knurled Knob		2
6	TS-1503101	Socket Head Cap Screw	M6x45	2
7	PM1500-095-07	Spacing Sleeve		1
8	TS-1523011	Set Screw	M6x6	2
9	PM1500-085-29	Retaining Ring	S8	1
10	PM1500-085-28	Thrust Bearing Holder		1
11	JWBS15-1121-611	Ball Bearing	608ZZ	1
12	PM1500-085-26	Retaining Ring	R22	1
13	PM1500-085-25	Adjust Shaft		1
14	PM1500-095-14	Hex Post		1
15	PM1500-095-15	Upper Guide Support Block		1
16	PM1500-095-16	Lock Knob		1
17	PM1800B-059-017	Cone Spring		4
18	PM1800B-059-04	Spacer		2

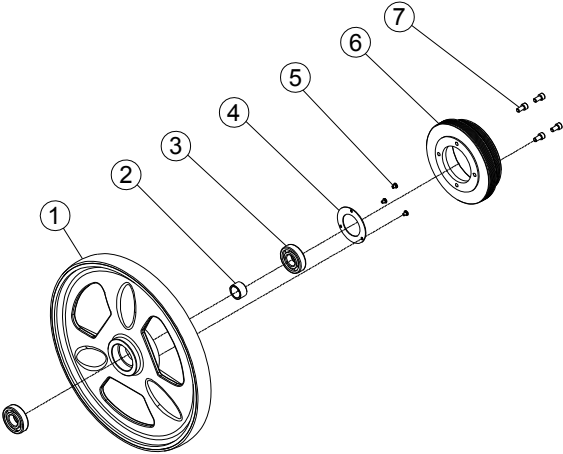
13.18.1 JWBS-20 Upper Wheel Assembly – Exploded View



13.18.2 JWBS-20 Upper Wheel Assembly – Parts List

Index No	Part No	Description	Size	Qty
.....	PM2013B-018	Upper Wheel Assembly (#1 thru 5)		1
1	PM2013B-018-01	Upper Wheel (Rubber Coating)		1
2	PM1800B-018-02	Spacer		1
3	BB-6306LLU	Ball Bearing	6306LLU	2
4	PM1800B-018-04	Plate		1
5	PM1800B-018-05	Phillips Pan Head Machine Screw	M6x8	3

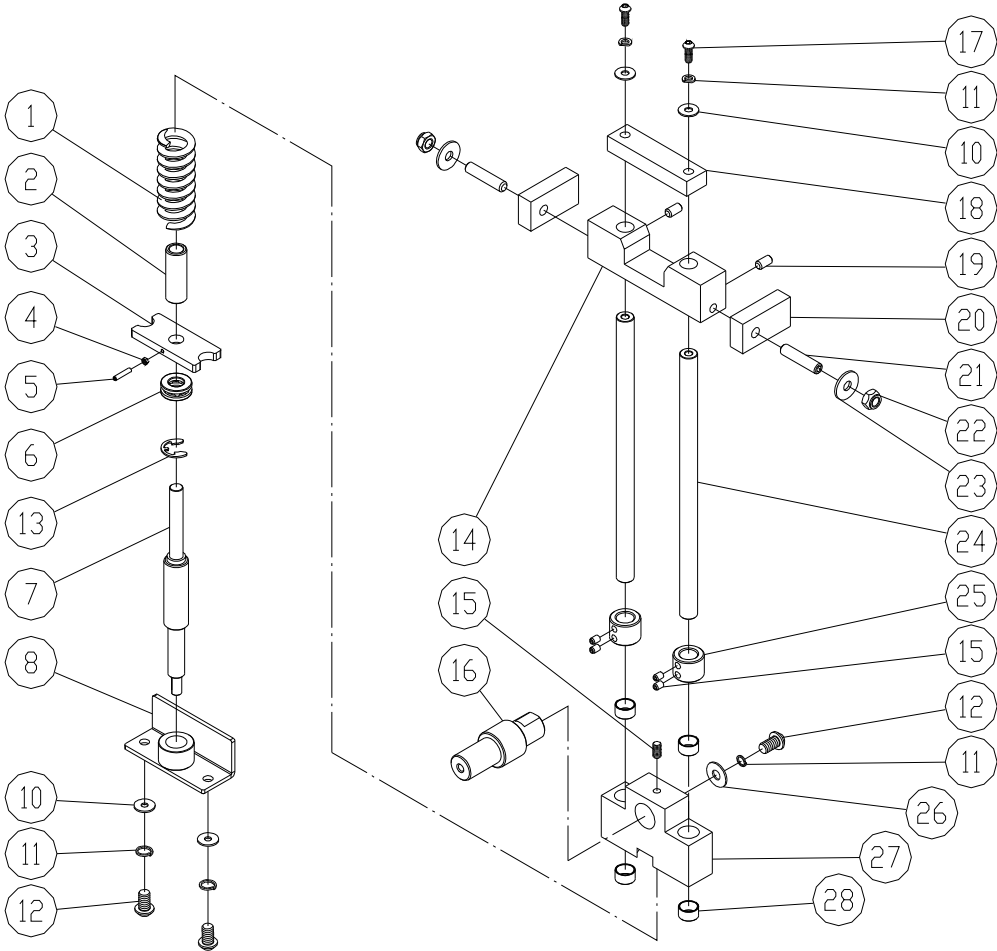
13.19.1 JWBS-20 Lower Wheel Assembly – Exploded View



13.19.2 JWBS-20 Lower Wheel Assembly – Parts List

Index No	Part No	Description	Size	Qty
.....	JWBS20B-120	Lower Wheel Assembly (#1 thru 7)		1
1	PM2013B-022-01	Lower Wheel (Rubber Coating)		1
2	PM1800B-018-02	Spacer		1
3	BB-6306LLU	Ball Bearing	6306LLU	2
4	PM1800B-018-04	Plate		1
5	PM1800B-018-05	Phillips Pan Head Machine Screw	M6x8	3
6	JWBS18B-138-807	Pulley		1
7	TS-1504041	Socket Head Cap Screw	M8x20	4

13.20.1 JWBS-20 Upper Wheel Sliding Bracket Assembly – Exploded View



13.20.2 JWBS-20 Upper Wheel Sliding Bracket Assembly – Parts List

Index No	Part No	Description	Size	Qty
1	JWBS20B-112-801	Spring		1
2	JWBS20B-112-802	Bushing		1
3	JWBS20B-112-803	Plate		1
4	TS-1540021	Hex Nut	M4	1
5	JWBS20B-112-805	Set Screw	M4x35	1
6	BB-51201	Bearing	51201	1
7	JWBS20B-112-807	Adjusting Bolt		1
8	JWBS20B-112-808	Adjust Plate Weldment (includes #9 Nut)		1
10	TS-1550061	Flat Washer	M8	4
11	TS-2361081	Spring Washer	M8	5
12	TS-2248202	Socket Head Button Screw	M8x20	3
13	PM1800B-027-026	E Ring	E15	1
14	JWBS20B-112-814	Block		1
15	5302731	Set Screw	M8x6	5
16	JWBS20B-112-816	Wheel Shaft		1
17	TS-2248302	Socket Head Button Screw	M8x30	2
18	JWBS20B-112-818	Block		1
19	TS-1523031	Set Screw	M6x10	2
20	JWBS20B-112-820	Locate Block		2
21	JWBS20B-112-821	Set Screw	M10x50	2
22	TS-2342102	Nylon Nut	M10	2
23	TS-1550071	Flat Washer	M10	2
24	JWBS20B-112-824	Shaft		2
25	JWBS20B-112-825	Collar		2
26	TS-1550061	Flat Washer	M8	1
27	JWBS20B-112-827	Upper Wheel Sliding Bracket		1
28	PM1500-010-28	Bushing Bearing	DU1610	4