

Type: AJMU 137 PMQW (18V)
Part no.: 71700209940

Item	Part no.	Designation	Quantity
15	52113003940	Stator with electronics	1
40	31428200000	Air guide ring	1
56	33102013040	Rotor	1
60	41701001172	Grooved ball bearing	2
80	32416098005	Plate	1
90	41701207260	Grooved ball bearing	1
100	32612135000	Sealing ring	1
110	42639028003	Sealing ring	1
120	41701120030	Grooved ball bearing	1
140	43072000000	Screw	2
150	32427157000	Cover	2
185	31901204050	Motor housing Set	1
196	32217468060	Sticker	1
199	31207334010	Housing Set	1
200	30728445000	Terminal	2
205	31414074010	Protective hose set	1
210	30762585990	Electronics	1
220	32816078000	Switch insert	1
230	32429141000	Cover	1
250	31506412010	Intermediate gear box	1
260	41701006034	Grooved ball bearing	1
270	41701202018	Grooved ball bearing	2
290	43072006001	Screw	4
295	31508310020	Gearbox housing	1

Type: AJMU 137 PMQW (18V)
Part no.: 71700209940

Item	Part no.	Designation	Quantity
310	40242058004	Pin	2
340	41701000015	Grooved ball bearing	1
350	42616014009	Circlip	1
360	40608000005	sealing ring	3
370	42616022006	Circlip	1
380	33402056000	Shaft	1
400	33663174000	Gear-wheel Z=39	1
410	42616007001	Circlip	1
420	33763064000	Shaft, toothed Z=17	1
440	33661002000	Gear-wheel Z=36	1
470	33761002000	Shaft, toothed	1
480	33657190000	Gear-wheel	1
530	30610048000	Seal	1
550	41138025006	Hose socket	1
560	33218134000	Pressure piece	1
570	32170025000	Lever	2
705	31207320020	Housing	1
720	31602089009	Bush	2
730	30904047000	Leaf spring	1
740	43076001030	Screw	3
750	33216047000	Pressure piece	1
760	34300000002	Guide strip	2
770	43035076041	Cylinder head screw	10
780	43058008051	Set screw	5

Type: AJMU 137 PMQW (18V)
Part no.: 71700209940

Item	Part no.	Designation	Quantity
790	33812007004	Gear rack	1
810	43035017057	Cylinder head screw	2
820	34300000003	Guide	1
830	43041041053	Fillister head screw	2
840	33713073000	Shaft, toothed	1
850	42446003009	Disc	1
860	42616065008	Circlip	1
870	30109201010	Connecting piece	1
890	32119114014	Handle	3
900	32636046000	Scale	1
910	43035084062	Cylinder head screw	1
920	40612171000	Sealing ring	1
930	32424041000	Cover links/left	1
970	43074010000	Screw	5
975	31420128000	Plug	2
980	32424031000	Cover	1
1040	32424037000	Cover	1
1050	43074008000	Screw	11
1060	43035013058	Cylinder head screw	2
1065	32901054000	Protective grille	1
1070	43033064066	Cylinder head screw	4
1075	32172032020	Lever	1
1077	43045000002	Set screw	1
1085	32172032000	Magnetic foot	1

Type: AJMU 137 PMQW (18V)
Part no.: 71700209940

Item	Part no.	Designation	Quantity
1105	30501377000	Sleeve	1
1125	63901063020	3/4 in Weldon mounting shaft	1
1260	32217519000	Information sign	1
1270	32217406002	Sticker	1
1310	32217466060	Information sign	1
1340	32217523000	Information sign	1
1350	32217552000	Information sign	1
1370	30701313010	Switch	1
1380	30767143000	Sensor	1
1390	31413264000	Hose	1
1400	42443001030	Circlip M3	2
1410	40612049000	Sealing ring	1
1700	33401107000	Shaft	1
1710	30901341000	Spiral spring	1
1720	30503145006	Sealing ring	1
1730	32408389000	Disc	1
1740	42616033009	Circlip	1
1750	40612073006	Sealing ring	1
1760	42015069000	Nut	1
1770	42643015005	Circlip	1
1780	30240330000	Pin	2
1790	30501371000	Clamping sleeve	1
1800	30501373000	Bush	1
1810	30901401000	Spring	1

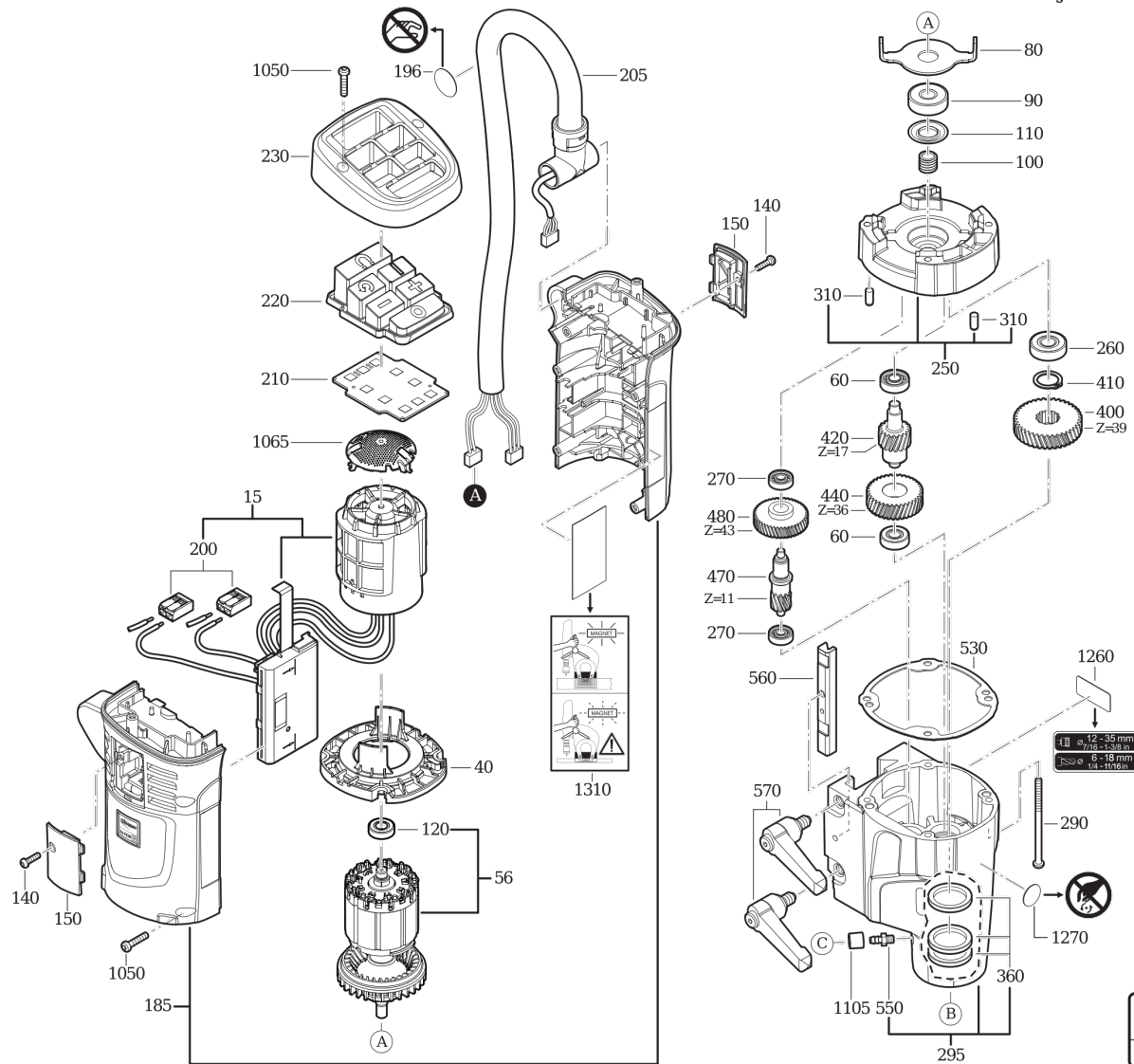
Type: AJMU 137 PMQW (18V)
Part no.: 71700209940

Item	Part no.	Designation	Quantity
1820	30501372000	Sleeve	1
1830	42616076000	Circlip 28X1,5	1
2500	32217517000	RFID Transponder VE1	1
5000	33901175040	Tool box ass.	1
5010	30232052000	Wire clamp	2
5020	33904576000	Insert	1
5030	32132022007	Pump	1
5040	31414054008	Replacement hose	1
5100	31810307000	Protective grille	1
5110	63134998310	Centering pin	1
5111	63134998300	Centering pin	1
5112	30217338000	Centering pin	1
5120	64201001000	Hook f. chip removal	1
5130	32174008007	STRAP, SAFETY	1
5140	63305003003	Drift keys	1
6000	32132041000	Lubricant can 1000 g	1

Type:
Part no.:

AJMU 137 PMQW (18V)
71700209940

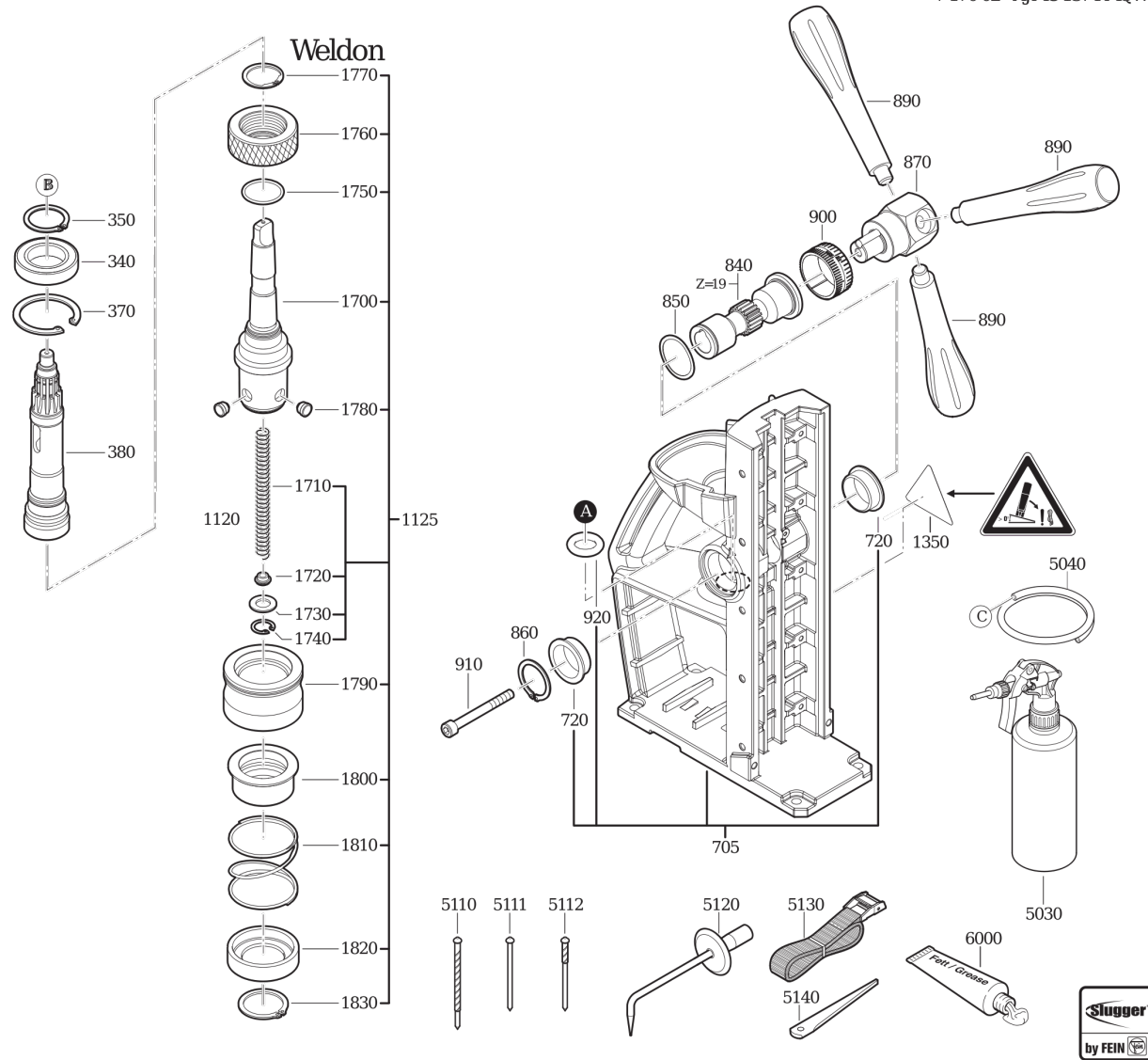
7 170 02 - AJMU 137 PMQW



Type:
Part no.:

AJMU 137 PMQW (18V)
71700209940

7 170 02 - AJMU 137 PMQW



Type:
Part no.:

AJMU 137 PMQW (18V)
71700209940

7 170 02 - AJMU 137 PMQW

