



Operating Instructions and Parts Manual

2HP Mobile Cyclone Dust Collector

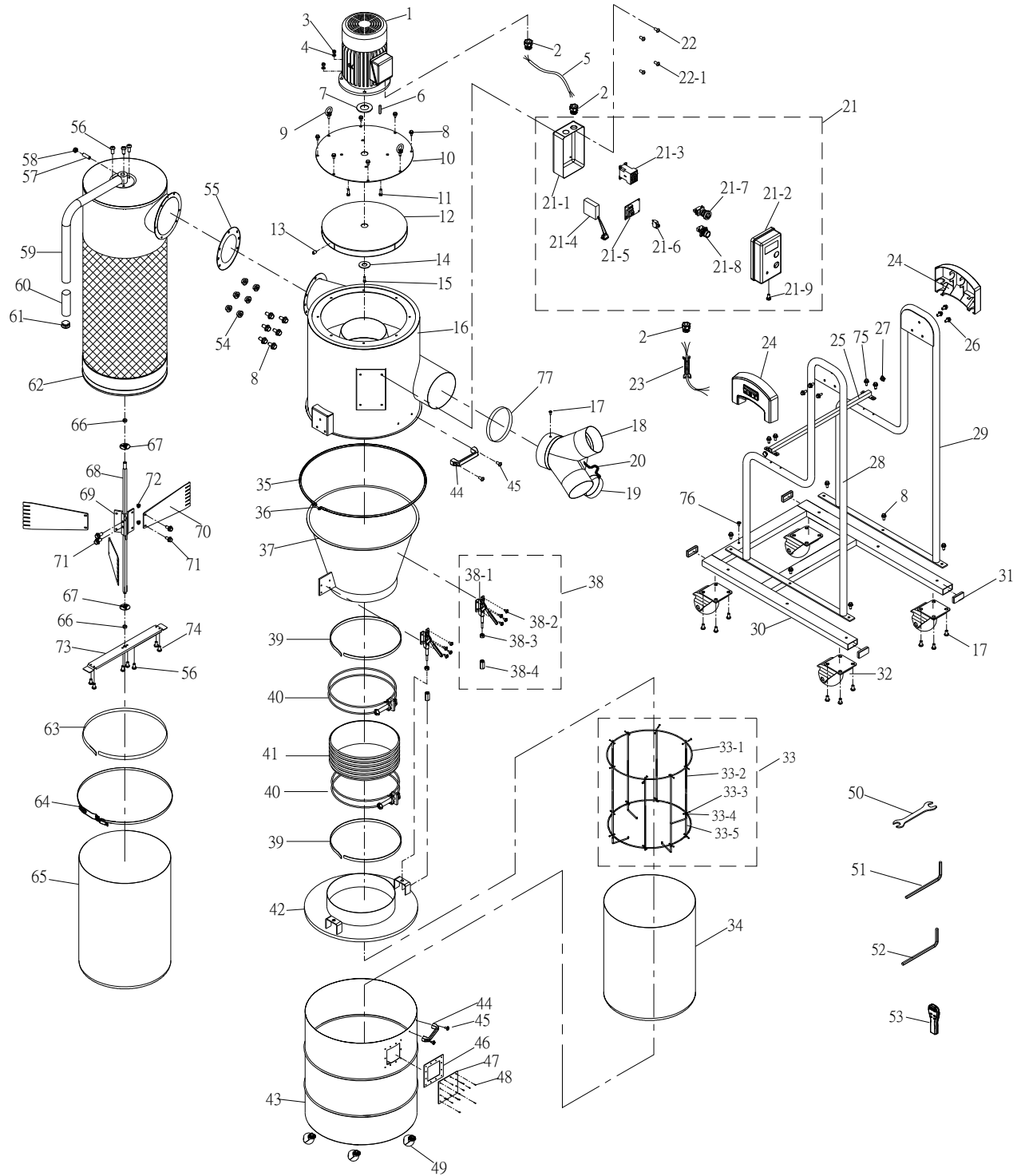
Model JCDC-2



JET
427 New Sanford Road
LaVergne, Tennessee 37086
Ph.: 800-274-6848
www.jettools.com

Part No. M-717520
Edition 4 09/2018
Copyright © 2017 JET

11.1.1 JCDC-2 Cyclone Dust Collector – Exploded View



11.1.2 JCDC-2 Cyclone Dust Collector – Parts List

Index No	Part No	Description	Size	Qty
1	JCDC2-01	Motor	2HP, 230V	1
	JCDC1.5-01SC	Start Capacitor (not shown)	300MFD, 125VAC	1
	JCDC1.5-01RC	Running Capacitor (not shown)	30uF, 250V	1
	JCDC1.5-01FC	Fan Cover (not shown)		1
	JCDC1.5-01CF	Cooling Fan (not shown)		1
	JCDC2-01CS	Centrifugal Switch (not shown)		1
2	JCDC1.5-02	Strain Relief	M20-13B/PG20	3
3	TS-0570021	Hex Nut	5/16"	4
4	TS-0720081	Lock Washer	5/16"	4
5	JCDC2-05	Motor Cord	14AWG x 3C	1
6	JCDC2-06	Key	7 x 7 x 25	1
7	JCDC2-07	Rubber Seal		1
8	JCDC1.5-07	Hex Flange Head Screw	5/16" x 3/4"	18
9	JCDC1.5-08	Eye Bolt	5/16"	2
10	JCDC2-10	Motor Plate		1
11	TS-0051051	Hex Cap Screw	5/16" x 1"	4
12	JCDC2-12	Impeller	Dia. 14-1/2"	1
13	TS-0271071	Socket Set Screw	3/8" x 3/4"	1
14	JCDC1.5-14	Lock Washer	Exclusive	1
15	JCDC1.5-15	Socket Head Cap Screw (Left Thread)	M6 x 20	1
16	JCDC2-16	Intake Barrel		1
17	5513357	Mach Screw, Pan HD, Phillips	3/16" x 3/8"	17
18A	JCDC1.5-18A	Inlet Adaptor Assembly (includes #18 thru 20)	6" x (2) 4"	1
18	JCDC1.5-18	Inlet Adaptor	6" x (2) 4"	1
19	JCDC1.5-20	Inlet Adaptor Cap	4"	1
20	JCDC1.5-19	Chain		1
21	JCDC2-21	Switch Assembly (Index # 21-1 thru # 21-9)		1
21-1	JCDC2-21-1	Switch Box – Lower Cover		1
21-2	JCDC2-21-2	Switch Box – Upper Cover		1
21-3	JCDC2-21-3	Contacto	MA-09	1
21-4	JCDC2-21-4	Remote Control Receiver		1
21-5	JCDC2-21-5	Circuit Board		1
21-6	JCDC2-21-6	Overload Protector	20A	1
21-7	JCDC2-21-7	Push Button Switch - Start	Green	1
21-8	JCDC2-21-8	Emergency Stop Switch		1
21-9	5711571	Mach Screw, Pan HD, Phillips	3/16" x 1/4"	1
22	JCDC2-22	Mach Screw, Pan HD, Phillips w/ Flange	3/16" x 3/8"	2
22-1	5513357	Mach Screw, Pan HD, Phillips	3/16" x 3/8"	2
23	JCDC2-23	Power Cord w/ 6-15P plug	14AWG x 3C	1
24	JCDC2-24	Side Cap		2
25	JCDC2-25	Connecting Square Tube	19 x 19 x 620	1
26	JCDC1.5-25	Hex Flange Head Screw	5/16" x 1/2"	6
27	JCDC1.5-24	Tube Plug	19 x 19	2
28	JCDC2-28	Stand-Left		1
29	JCDC2-29	Stand-Right		1
30	JCDC2-30	Base		1
31	JCDC2-31	Tube Plug	60 x 30	4
32	JCDC2-32	Swivel Caster	Dia. 2"	4
33	JCDC2-33	Bag Frame Kit (#33-1 thru 33-5)		1
33-1	JCDC2-33-1	Hoop	6T	2
33-2	JCDC2-33-2	Bag Frame Support - Long	7mm	4
33-3	TS-1540011	Hex Nut	M3	16
33-4	JWL1221VS-314	Mach Screw, Pan HD, Phillips	M3 x 12	16
33-5	JCDC2-33-5	Bag Frame Support -Short	7mm	4
34	717521	Drum Collection Bag for JCDC-2 (pkg. of 5)	780 x 830 /mm	1
35	JCDC2-35	Clamp	Dia. 500 mm	1
36	TS-0050111	Hex Cap Screw	1/4" x 2-1/2"	1
37	JCDC2-37	Cyclone Funnel		1
38	JCDC1.5-36	Quick Lever Assembly (# 38-1 thru 38-4)		2
38-1	JCDC1.5-36-1	Quick Lever		2

Index No	Part No	Description	Size	Qty
38-2	5712561	Mach Screw, Pan HD, Phillips	M5 x 8	8
38-3	TS-0570031	Hex Nut	3/8"	2
38-4	JCDC1.5-36-4	Long Nut	3/8"	2
39	JCDC2-39	Foam Tape	L970 x W30 x T1 /mm	2
40	JCDC2-40	Hose Clamp	12-1/2"	2
41	JCDC2-41	Hose	Dia.12"	1
42	JCDC2-42	Collection Drum Lid		1
43A	JCDC2-43A	Collection Drum Assembly (#43 thru 49)		1
43	JCDC2-43	Collection Drum		1
44	JCDC1.5-42	Handle		2
45	TS-081F031	Mach Screw, Flat HD, Phillips	1/4" x 1/2"	4
46	JCDC1.5-44	Rubber Pad		1
47	JCDC1.5-45	PC Plate		1
48	JCDC1.5-46	Rivet	4-2	12
49	JCDC2-49	Swivel Caster	Dia. 2"	4
50	SWSS3-201	Open End Wrench	10-12 mm	1
51	TS-152705	Hex Wrench	4mm	1
52	TS-152706	Hex Wrench	5mm	1
53	JCDC2-53	Remote Control Transmitter	RF	1
		Battery (not shown)	AAA, 1.5V	2
54	TS-0561021	Hex Nut	5/16"	6
55	JCDC2-55	Gasket		1
56	JCDC1.5-52	Socket HD Button Screw	M5 x 6	6
57	TS-0270071	Socket Set Screw	5/16" x 3/4"	1
58	TS-0561021	Hex Nut	5/16"	1
59A	JCDC1.5-55A	Handle Assembly (#59,60,61)		1
59	JCDC1.5-55	Handle		1
60	JCDC1.5-56	Grip		1
61	JCDC1.5-57	Pipe Plug		1
62	JCDC2-62	Canister Filter		1
63	JCDC1.5-59	Foam Tape	L1265 x W20 x T3 /mm	1
64	JCDC1.5-60	Clamp		1
65	717511	Canister Collection Bag for JCDC (pkg. of 5)	600 x 500 /mm	1
66	JCDC1.5-62	Oil-Retaining Bearing		2
67	JCDC1.5-63	Bearing Cover		2
68	JCDC2-68	Shaft		1
69	JCDC1.5-65	Fixing Block		1
70A	JCDC2-70A	Scraper Assembly (#56,66 thru 74)		1
70	JCDC1.5-66	Scraper		3
71	TS-1481031	Hex Cap Screw	M5 x 12	8
72	TS-1540031	Hex Nut	M5	6
73	JCDC1.5-69	Support Plate		1
74	5712561	Mach Screw, Pan HD, Phillips	M5 x 8	4
75	JCDC1.5-71	Hex Flange Head Screw	1/4" x 1/2"	4
76	5711571	Mach Screw, Pan HD, Phillips	3/16" x 1/4"	1
77	JCDC1.5-74	Foam Tape	L490 x W30 x T1 /mm	1
75	LM000057-2	ID Label		1
76	LM000058-2	Motor Label		1
77	LM000059	Rotation Label		1
78	LM000068	Caution Label – Do not step		1
79	LM000067	Warning Label		1
	JCDC2-HP	Hardware Package (see sect. 5.2 for contents)		

Some parts are listed for reference only and may not be available individually.