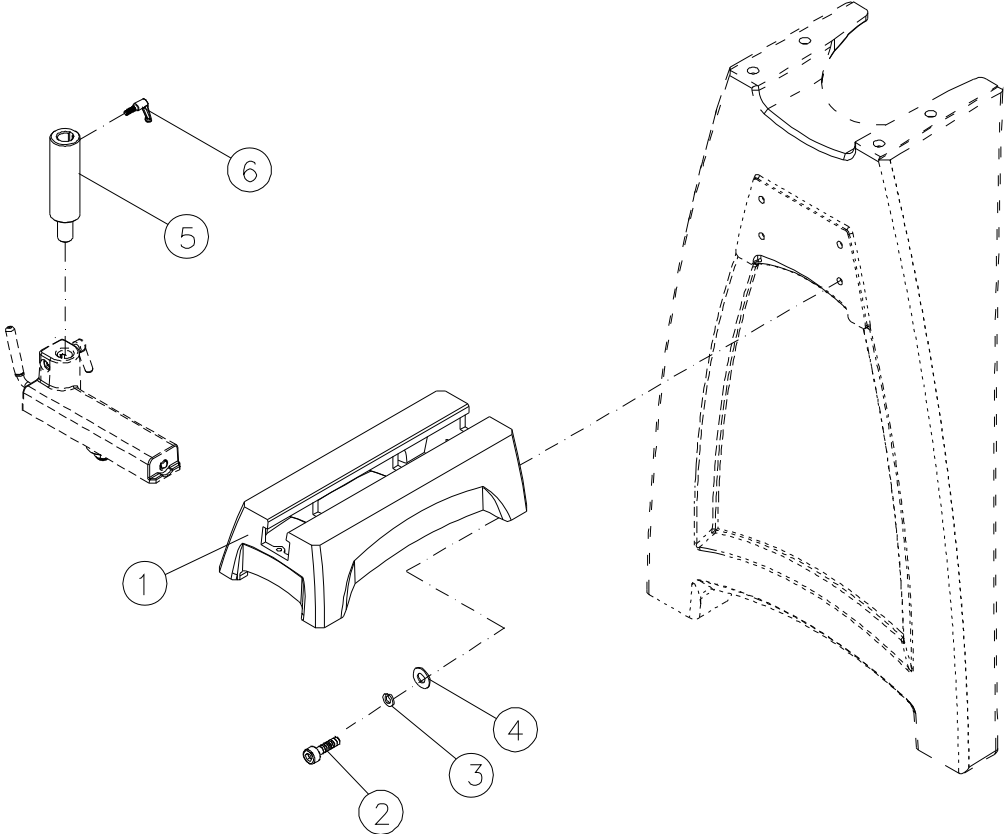


16.4.1 JWL-1440VS Extension Bed Assembly (OPTIONAL) – Exploded View



16.4.2 JWL-1440VS Extension Bed Assembly (OPTIONAL) – Parts List

| Index No. | Part No. | Description | Size | Qty |
|-----------|-------------|--|----------------|-----|
| | 719401 | 20" Extension Bed w/ Post (includes #1 thru 6) | | 1 |
| 1 | JWL1440-301 | Extension Bed | 20" | 1 |
| 2 | TS-0209071 | Socket Head Cap Screw | 3/8"-16x1-1/2" | 4 |
| 3 | TS-0720091 | Lock washer | 3/8" | 4 |
| 4 | TS-0680041 | Flat Washer | 3/8" | 4 |
| 5 | 3520B-310 | Extension Post | | 1 |
| 6 | 6294763 | Locking Handle | | 1 |