

Type: DDSk 672-1 (50Hz, 240V)
Part no.: 72050100240

Item	Part no.	Designation	Quantity
10	31903095007	Motor housing	1
20	42443004057	Circlip M5	2
30	43033014058	Cylinder head screw M5X25	2
40	32427031001	Cover	2
50	43002033045	Cylinder head screw M4X10	4
60	31913018009	Housing	1
70	30712047047	Brush holder	2
80	30711061008	Carbon brush	2
90	30713009007	Cap	2
100	51232003244	Stator 50Hz240V	
	↓		
	51232003222	Stator 50Hz220V	1
120	43001007059	Hexagon socket screw M5X55	2
130	53232001249	Armature 50Hz240V	
	↓		
	53232001227	Armature 50Hz220V	1
160	42628001006	Ring	1
180	31506153005	Intermediate gear box	1
181	32131001002	Nipple	1
190	40201050003	Straight pin	1
200	31509058002	Gearbox housing	1
230	40608021007	Sealing ring	1
240	41706016000	Needle bearing	1
250	41707011009	Grooved ball bearing	1
260	33402037006	Shaft	1
270	32411056009	Disc	1

Type: DDSk 672-1 (50Hz, 240V)
Part no.: 72050100240

Item	Part no.	Designation	Quantity
271	30601062003	Felt ring	1
272	32411057003	Disc	1
280	41701017021	Grooved ball bearing	1
290	40221040006	Feather key	1
300	33667007003	Gear-wheel	1
310	42003007005	Hex nut M16X1,5	1
330	41701210015	Grooved ball bearing	4
340	33416005005	Selector shaft	1
350	33663019000	Gear-wheel	1
360	33617056011	Gear-wheel	1
380	42616023000	Circlip	1
390	33811023009	Shaft, toothed	1
400	33617054005	Gear-wheel	1
410	41701213011	Grooved ball bearing	2
420	33767005005	Shaft, toothed	1
430	42401007142	Disc M14	1
440	42643003004	Circlip	1
450	33615025021	Gear-wheel	1
470	42616043008	Circlip	1
480	30217174005	Bolt	1
490	30217193005	Bolt	1
500	30217173007	Bolt	1
510	30217177006	Bolt	1
520	30217192001	Bolt	1

Type: DDSk 672-1 (50Hz, 240V)
Part no.: 72050100240

Item	Part no.	Designation	Quantity
530	40238012001	Clamping sleeve	3
540	32805045007	Lever	2
550	30216086001	Bolt	2
560	30901202001	Spiral spring	2
580	40238007005	Clamping sleeve	2
600	30905019003	Cup spring	2
610	41701210021	Grooved ball bearing	1
620	41701213027	Grooved ball bearing	1
630	32411052000	Disc	1
640	30601055000	Felt ring	1
650	42643001007	Circlip	1
660	32410046001	Plate	1
670	42443003043	Circlip M4	3
680	43033006040	Cylinder head screw M4X25	3
690	42443005064	Circlip M6	4
700	43035043068	Cylinder head screw M6X100	4
710	32420020005	Flange	1
720	43033012056	Cylinder head screw M5X20	4
730	31207204008	Housing	1
740	31406031002	Sleeve	1
750	43035027056	Cylinder head screw M5X80	4
800	30701073005	Switch	1
810	32431021007	Cable clamping piece	1
820	43041001994	Fillister head screw M3,5X10	2

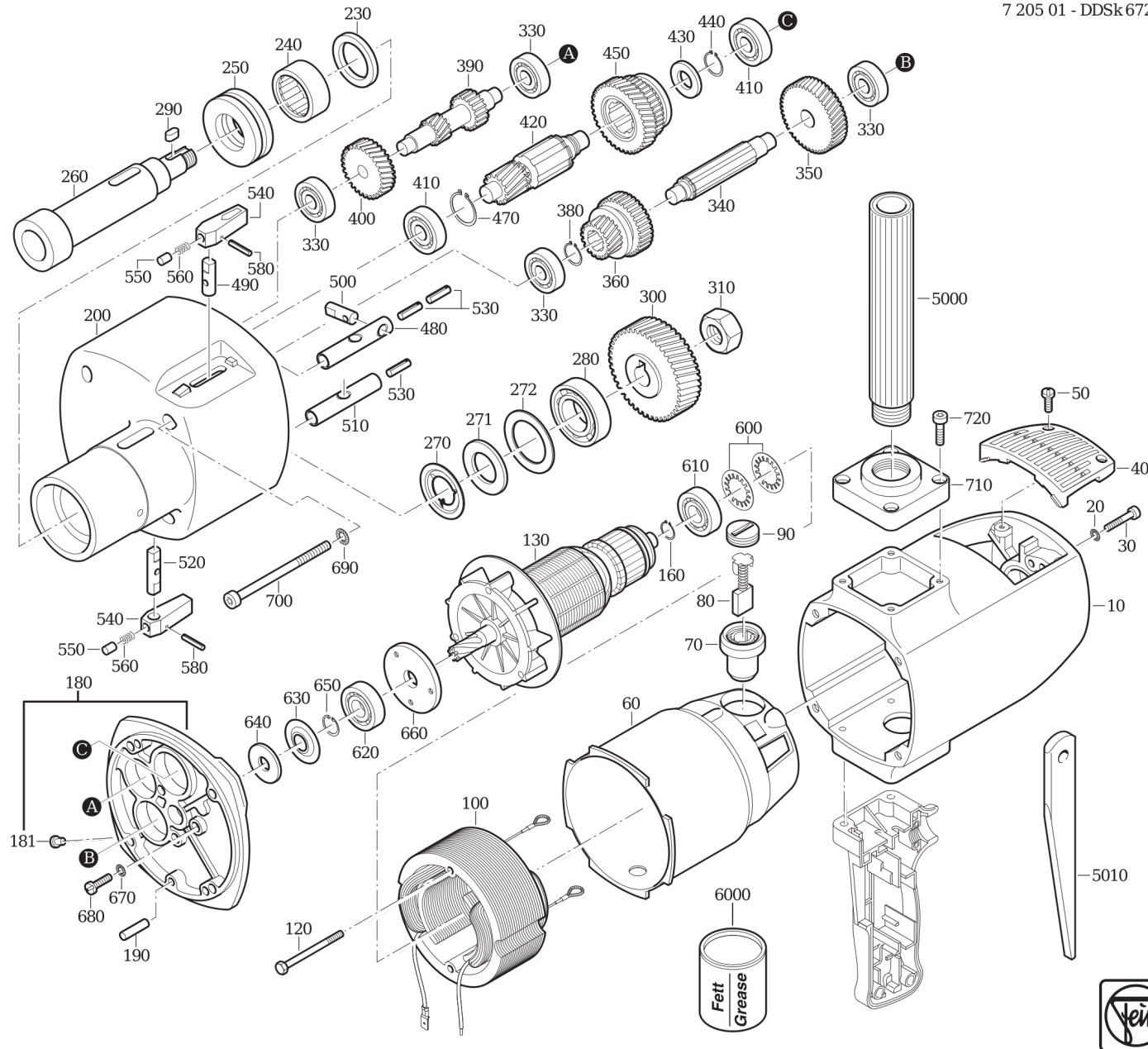
Type: DDSk 672-1 (50Hz, 240V)
Part no.: 72050100240

Item	Part no.	Designation	Quantity
830	31413090003	Cable grommet	1
840	30722122026	Capacitor	1
841	30719164018	Connecting cable	1
842	31413188006	Insulating hose	1
850	30707105011	Cable with plug	1
860	30701210019	Toggle switch	1
890	32414105002	Switch insert	1
2000	31204161004	Handle half shell	1
2005	31204064047	Handle	1
2010	31204163001	Handle half shell	1
2020	43041027045	Fillister head screw	2
5000	32119153010	Handle	1
5010	63305004001	Drift keys	1
6000	32132007011	Lubricant can 0,850 kg	1

Type:
Part no.:

DDSk 672-1 (50Hz, 240V)
72050100240

7 205 01 - DDSk 672-1



Type:
Part no.:

DDSk 672-1 (50Hz, 240V)
72050100240

7 205 01 - DDSk 672-1

