

**Type:** RS 17-70 E (60Hz, 120V)  
**Part no.:** 72227509110

<b>Item</b>	<b>Part no.</b>	<b>Designation</b>	<b>Quantity</b>
10	31901175000	Motor housing	1
15	72775909110	Motor unit RS17-70E N09 120V60H	1
20	51279004110	Stator 50Hz110V	1
30	30701299000	Switch	1
40	30762635990	Speed setting switch	1
50	32816080000	Control rod	1
60	32805241000	Slide switch	1
95	30712096040	Brush holder Set 100-120V, 50/60Hz	2
100	30711160000	Carbon brush 110-120V, 50/60Hz	2
115	32427153010	Cover OT	1
120	32431047000	Cable clamping piece	1
130	31413282000	Cable grommet	1
140	30707489010	Cable with plug N09 60Hz120V	1
150	32431043002	Cable clamping piece	1
160	32427151010	Cover Set	1
170	43072000000	Screw	5
180	31428179000	Air guide ring	1
190	30764169000	Choke	1
195	32803019020	Contact spring	1
200	31413232000	Insulating hose	1
400	41705019001	Needle sleeve	1
405	31206166030	Gearbox housing	1
410	30217335005	Bolt	1
420	40612137008	Sealing ring	1

**Type:** RS 17-70 E (60Hz, 120V)  
**Part no.:** 72227509110

<b>Item</b>	<b>Part no.</b>	<b>Designation</b>	<b>Quantity</b>
430	30901357005	Spiral spring	1
440	32805200008	Pushbutton	1
450	32419166000	Bearing plate	1
460	41701010054	Grooved ball bearing	1
470	32416118000	Plate	1
480	43064002043	Screw	3
490	32601281000	Disc	1
505	33809247010	Bevel gear z=9/44	1
510	33406349000	Shaft M14	1
520	32624123060	Washer 0,15	1
520	32624123020	Washer	1
530	40612000009	Sealing ring	1
540	43064024043	Screw	4
600	31428180000	Air guide ring	1
700	53279001360	Armature 60Hz120V	1
710	41701001260	Grooved ball bearing	1
720	30507236000	Bearing bush	1
730	32172014010	Magnet	1
740	32416117000	Plate	1
750	41701207260	Grooved ball bearing	1
770	43074012000	Screw	4
815	31335027000	Roller	2
830	42019020087	Nut	1
840	31335029000	Grinding arm	1

**Type:** RS 17-70 E (60Hz, 120V)  
**Part no.:** 72227509110

<b>Item</b>	<b>Part no.</b>	<b>Designation</b>	<b>Quantity</b>
845	40238018001	Clamping sleeve	1
850	31335026000	Safety hood	1
860	30240417000	Tensioning arm	1
870	31335004002	Bolt	1
880	31335003004	Spring	1
890	32119014000	Handle	1
895	31335024000	Plate	1
900	43035136063	Cylinder head screw	2
910	31335013003	Screw	1
920	43035047089	Cylinder head screw	2
930	43098705065	Screw	5
940	42401019085	Disc	2
940	42401004083	Disc	1
960	30240422000	Screw	1
970	42402015002	Disc	2
980	31335018000	Pressure piece	1
990	31335023000	Bush	1
1000	43014000006	Screw	2
1010	31335025000	Cover	1
1020	31335012009	Shaft	1
1030	31335021000	Disc	1
1040	31335011006	Roller	1
1050	31335022000	Disc	1
1060	43098706180	Screw	1

**Type:** RS 17-70 E (60Hz, 120V)

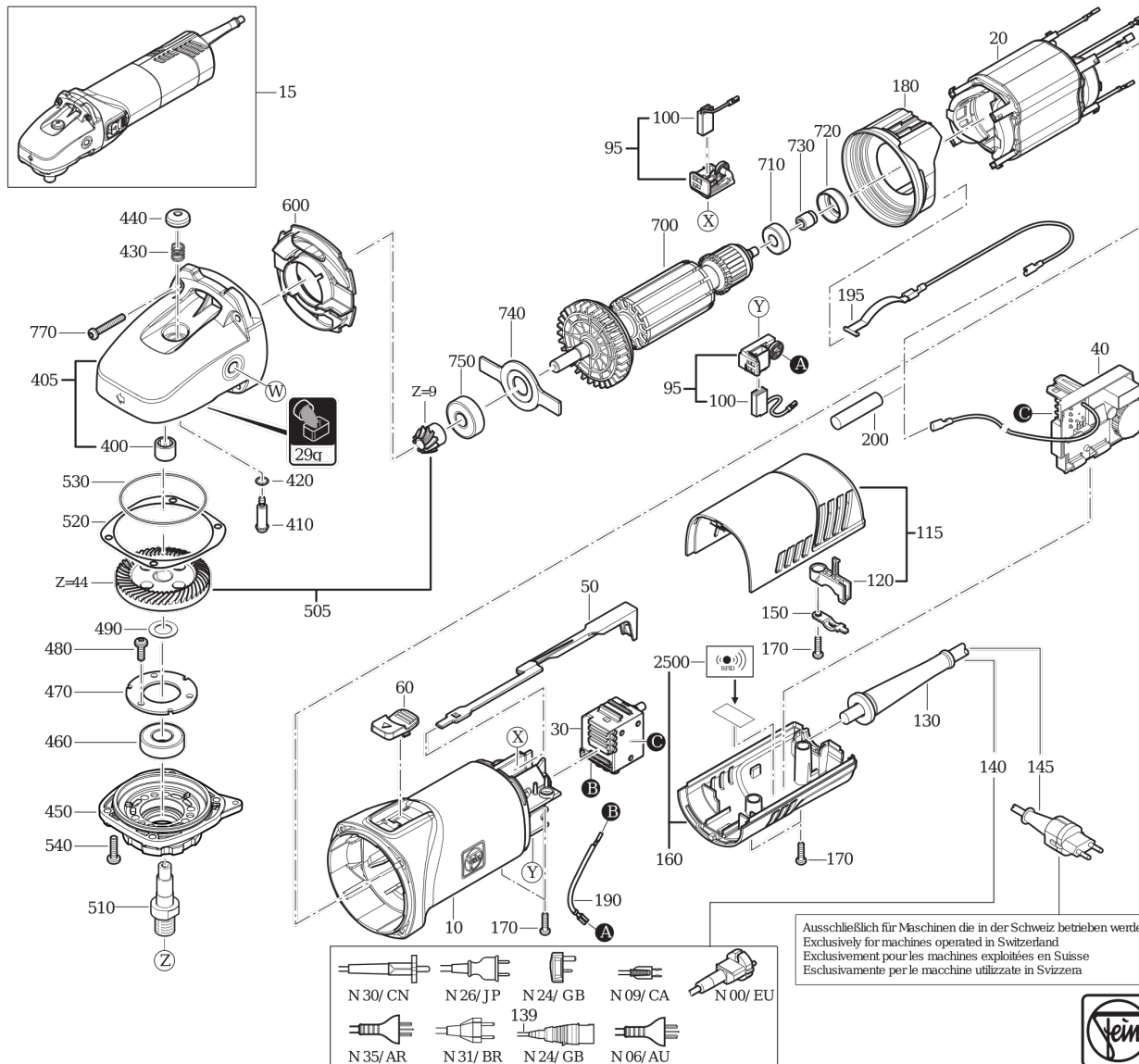
**Part no.:** 72227509110

---

<b>Item</b>	<b>Part no.</b>	<b>Designation</b>	<b>Quantity</b>
1070	40221056006	Feather key	2
2010	32217557000	Information sign	1
2500	32217517000	RFID Transponder VE1	1
5000	62901004006	Single head wrench	1
5100	33901133050	Tool case	1
5210	30232050000	Wire clamp	2

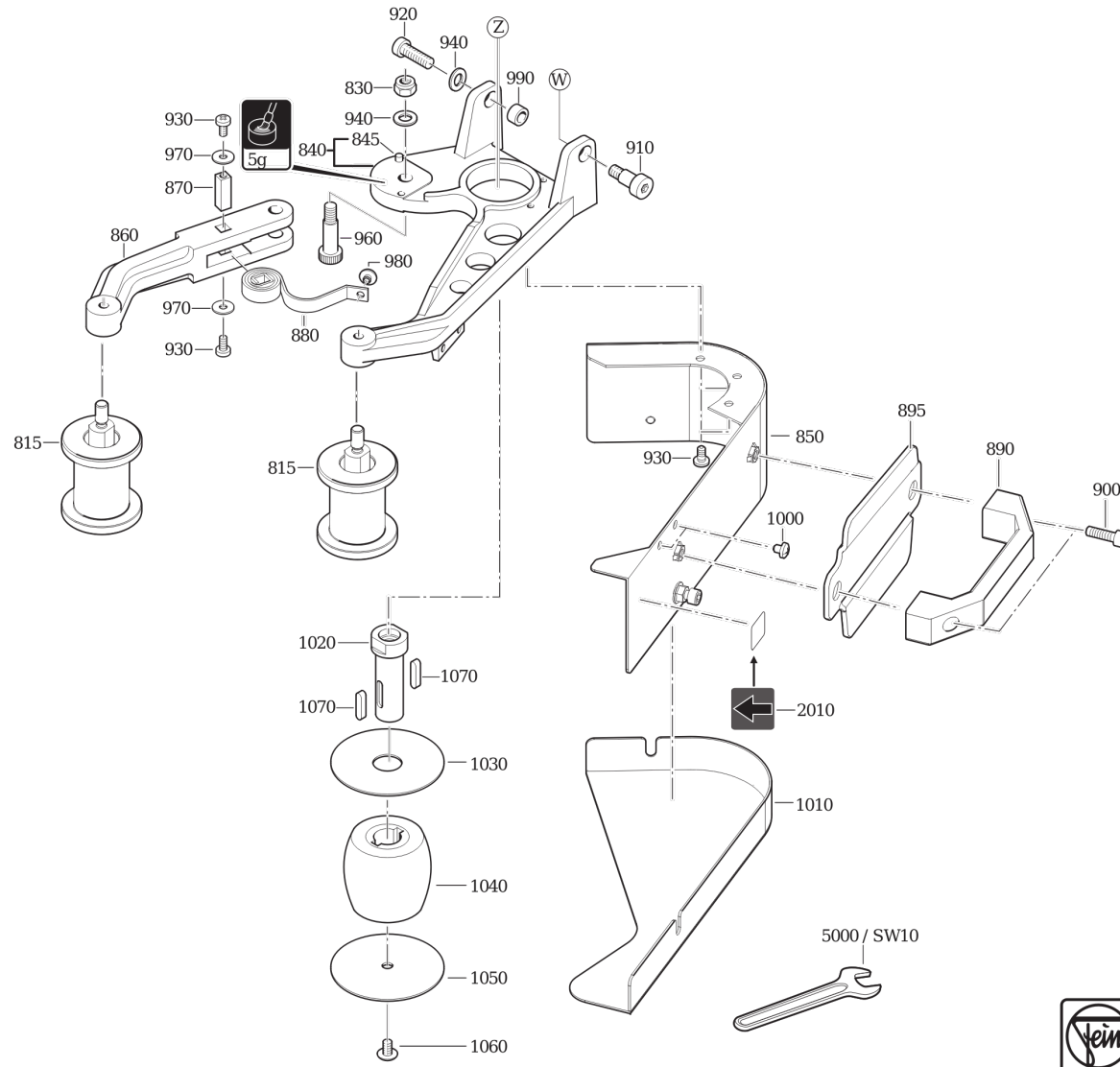
**Type:**  
**Part no.:**

RS 17-70 E (60Hz, 120V)  
72227509110



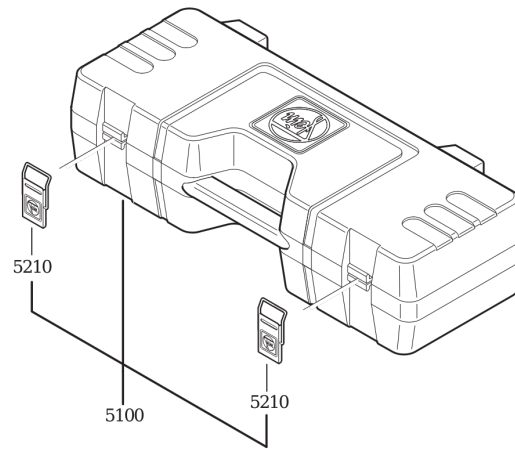
Type:  
Part no.:

RS 17-70 E (60Hz, 120V)  
72227509110



3 41 01 349 00 0

**Type:** RS 17-70 E (60Hz, 120V)  
**Part no.:** 72227509110



3 41 01 349 00 0

