

Type: FMM 350 Q (60Hz, 120V)
Part no.: 72294209360

Item	Part no.	Designation	Quantity
10	31901173000	Motor housing	1
30	32805311000	Slide switch	1
70	30712087015	Brush holder	2
80	30711157000	Carbon brush	2
110	30762453990	Speed setting switch	1
130	32431045000	Cable clamping piece	1
155	31415110000	Pressure piece	4
160	43074010000	Screw	7
170	43074002000	Screw 35X20	2
180	30707345019	Cable with plug	1
190	31413233000	Cable grommet	1
230	31603053010	Bearing bush	1
250	53278005110	Armature	1
260	41701001032	Grooved ball bearing	1
270	41701007038	Grooved ball bearing	1
285	32172014010	Magnet	1
290	40612167000	Sealing ring	1
310	42616046003	Circlip	1
350	52278046110	Stator unit	1
405	31508287010	Tool head Quick In	1
430	32805309000	Lever	1
480	32636042000	Eccentric ring	1
490	40242064000	Straight pin	1
495	30507220000	Bush	2

Type: FMM 350 Q (60Hz, 120V)

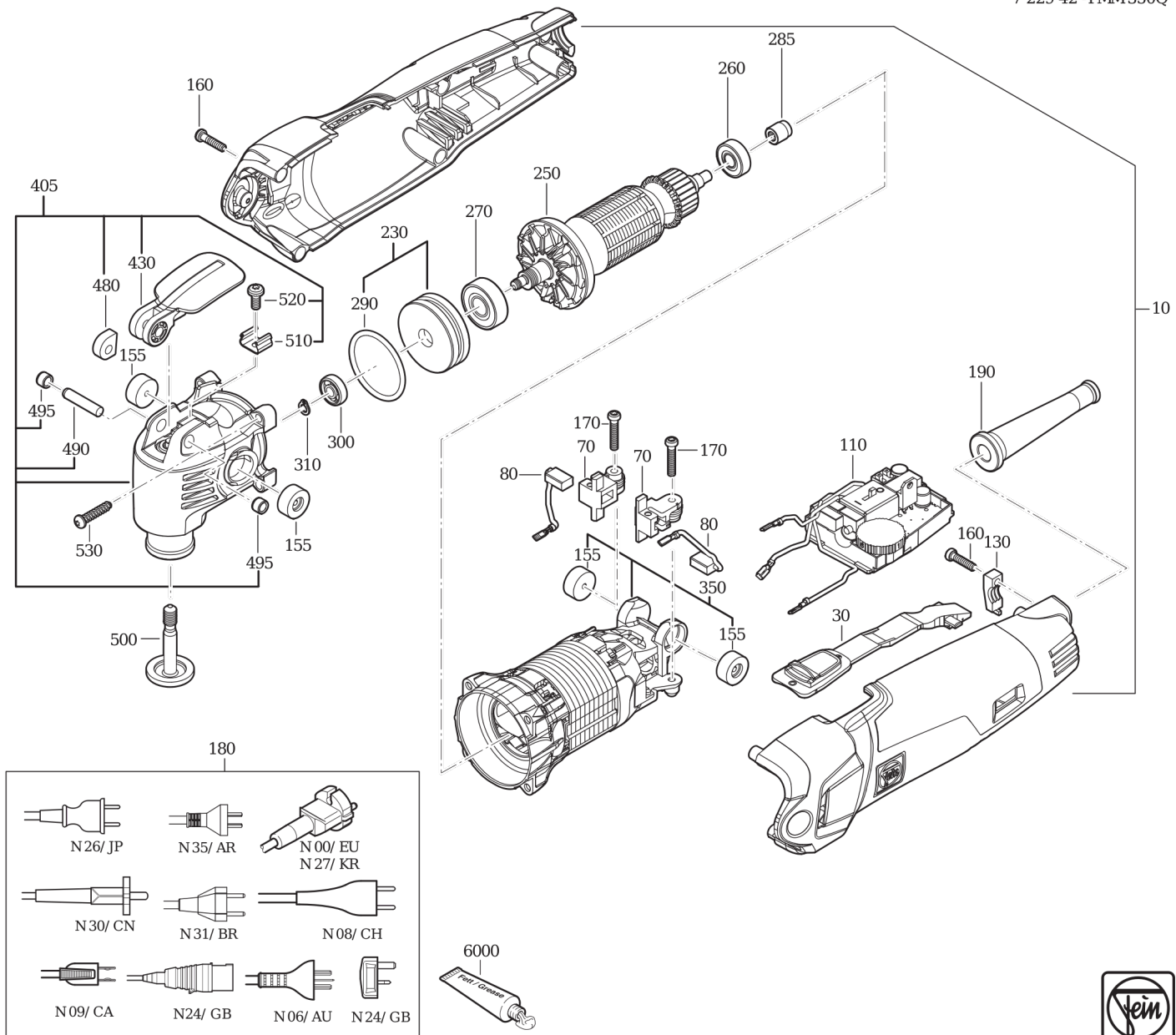
Part no.: 72294209360

Item	Part no.	Designation	Quantity
500	30240271000	Clamping unit	1
510	30907067000	Locking spring	1
520	43064023045	Fillister head screw	1
530	43074009000	Screw	4
2500	32217517000	RFID Transponder VE1	1
5000	33901131980	Carrying case unfilled	1
5010	33218136000	Extractor hood	1
5020	30601106007	Felt ring	2
5030	30605112000	Adapter	1
5040	33218137010	Suction unit	1
5200	32119122000	Handle	1
5210	30232050000	Wire clamp	2
5300	33904488000	EPP insert	1
5450	63806136220	Sanding pad set, perforated	1
5500	92602091000	Dust extraction set	1
6000	32160003014	Lubricant tube 0,085 kg	1

Type:
Part no.:

FMM 350 Q (60Hz, 120V)
72294209360

7 229 42 -FMM350Q



Type:
Part no.:

FMM 350 Q (60Hz, 120V)
72294209360

7 229 42 -FMM350Q

