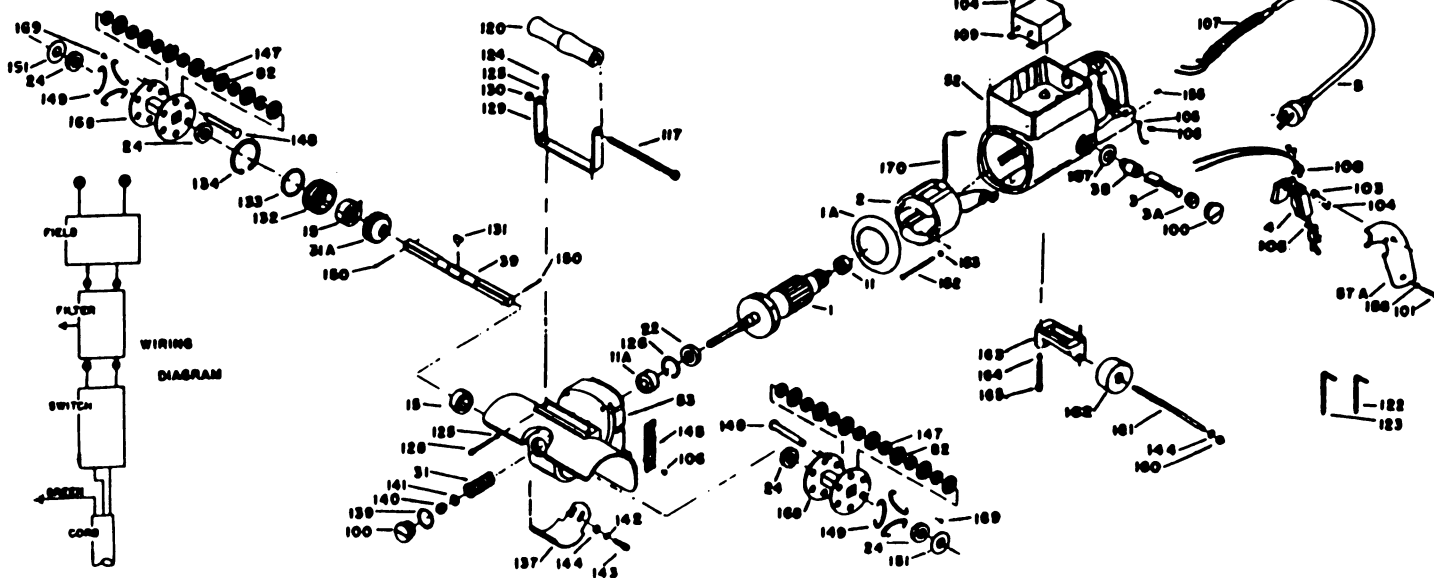


PORTER-CABLE CHIPPER/CLEANER



WARNING! Electrical repairs should only be attempted by trained repairmen. Contact the nearest Porter-Cable Service Center or other competent repair center.

Ref. No.	Part No.	Desc.
1	869425**	Armature 115V (Current)
	861009	Armature 115V (Early)
1A	801475	Baffle
2	869426**	Field 115V (Current)
	861010	Field 115V (Early)
3	843996	Brush
3A	803250	Brush Cap
3B	823557	Brush Holder
4	801851	Switch
5	825713	Cord
11	855289	Commutator Bearing
11A	855254**	Fan Bearing
*	866796**	Outer Race Spacer
*	866852**	Inner Race Spacer
15	855285	Shaft Bearing
22	804293	Seal
24	803645	Seal
31	801285	Worm
31A	801402	Worm Gear
39	804392	Cutter Shaft
52	859585	Motor Housing, Incl: 57A
53	859726	Gear Housing
57A	859725	Handle Cover
82	48053	Cutter
100	802040	Cap
101	826232	Screw
103	803187	Switch Spacer - CF
104	801443	Screw
105	849314	Terminal
106	844107	Screw
107	804344	Reliever, Incl: 698390 Compression Sleeve
108	845099	Lead - CF
109	869213	Filter (Two Required)
110	859727	Cover
112	Specification Plate by Request	
117	804225	Handle Stud
120	804236	Aux. Handle
122	48245	Housing Wrench
123	48248	Shoe Wrench
124	802550	Screw
125	802430	Lock Washer

Ref. No.	Part No.	Desc.
126	803351	Ring
128	802006	Screw
129	824574	Handle Strap
130	802315	Nut
131	803586	Key
132	804274	Housing
133	802448	"O" Ring
134	802454	Ring
137	804008	Shoe
139	802180	Gasket
140	802450	Nut
141	802432	Washer
142	802417	Washer
143	859793	Screw
144	801530	Washer
145	825328	Shield
147	842405	Spacer
	867854	Spacer (Thin) Use as Required
148	842407	Shaft
149	866872**	Retaining Ring
150	802194	Pin
151	802832	Washer
152	693101	Screw
153	802414	Lock Washer
155	804310	Screw
157	803497	Washer
158	855873	Lock Washer
160	802807	Nut
161	804156	Axle
162	801576	Wheel
163	859728	Yoke
164	802667	Lock Washer
165	824565	Screw
168	845129	Bundle Frame
169	801324**	Screw
170	801423	Lead Sleeveing
*	802805	Filter Connector
*	45128	Set of Cutter Bundles, Incl: Ref. 82, 147, 148, 149, 168
*	803442	Lubricant (5 1/2 oz.) (156 gm)
*	803443	Lubricant (1 gal.)
*	692910	Carrying Case

**See Service Notes

SERVICE NOTES

727

FAN END BEARING

Early models used bearing #855255 which is thicker than the current bearing #855254. To compensate for the thinner bearing, spacers #866796 and #866852 should be placed in the fan end bearing bore between bearing #855254 and ring #803351 (Ref. 126). Except that the current type armatures (see Armature and Field Note) do not require the inner race spacer #866852 as the shaft journal on which the seal rides has been extended to compensate. In addition, you may receive bearing #855254 with an extended inner race which is acceptable, but must be assembled with the extension against the worm gear.

REFERENCE NO. 149 LOCK RING AND REFERENCE NO. 169 SCREW

Early models used a lock plate #842406 and retaining screw #801324. Current models use only three lock rings #866872 on each cutter bundle. When using the lock rings on earlier models remove the screw and lock plate.

ARMATURE AND FIELD

Early armature #861009 and field #861010 have been replaced by a new armature and field, #869425 and 869426 respectively. In as much as the early motor is not interchangeable with the current motor when replacing either the armature or field it will be necessary to look at the laminations for identification. The current armature and field will have numbers 866702 or 869488 and 866703 or 869489 respectively stamped on the laminations. Armatures and fields with other numbers are the early style.

