

**Type:** KBM 50 auto (60Hz, 120V)

**Part no.:** 72704209360

<b>Item</b>	<b>Part no.</b>	<b>Designation</b>	<b>Quantity</b>
10	31903223000	Motor housing	1
20	51273007110	Stator 110-120V	1
40	31428168000	Air guide ring	1
50	53273010110	Armature 50/60Hz,110-120V Z=6	1
60	41701001260	Grooved ball bearing	1
65	31406053007	Sleeve	1
70	30711136002	Carbon brush	2
80	32416098005	Plate	1
90	41701007050	Grooved ball bearing	1
100	32612135000	Sealing ring	1
110	42639028003	Sealing ring	1
120	32172010005	Ring magnet	1
130	30712088029	Brush holder	2
140	43074013000	Screw	4
150	32424029000	Cover	2
160	30762441990	Electronics 100-230V,50/60H	1
170	32429144000	Cover	1
180	32429145000	Cover	1
191	31414068000	Protective hose	1
192	32429146010	Connecting piece	1
193	30719861010	Connecting cable	1
194	30719864010	Connecting cable	2
200	43072013005	Screw	2
210	30762443990	Electronics 100-230V,50/60Hz	1

**Type:** KBM 50 auto (60Hz, 120V)  
**Part no.:** 72704209360

<b>Item</b>	<b>Part no.</b>	<b>Designation</b>	<b>Quantity</b>
220	32816078000	Switch insert	1
230	32429141000	Cover	1
240	43074008000	Screw	2
250	31506393000	Intermediate gear box	1
260	41701213011	Grooved ball bearing	1
270	41701204010	Grooved ball bearing	3
280	40611000000	Sealing ring	4
290	43072010009	Screw	4
300	31508288020	Gearbox housing	1
310	40201035003	Straight pin	2
330	41701010010	Grooved ball bearing	1
340	41701025051	Grooved ball bearing	1
350	42616015003	Circlip	1
360	40608000000	Sealing ring	3
370	42616074003	Circlip	1
380	33402055000	Shaft MK3	1
390	40221061003	Feather key	1
400	33665060000	Gear-wheel Z=51	1
410	42616009003	Circlip	1
420	33765019007	Shaft, toothed Z=13	1
430	40221067009	Feather key	1
440	33613128002	Gear-wheel Z=35	1
450	33613127004	Gear-wheel Z=43	1
460	42616007001	Circlip	1

**Type:** KBM 50 auto (60Hz, 120V)  
**Part no.:** 72704209360

<b>Item</b>	<b>Part no.</b>	<b>Designation</b>	<b>Quantity</b>
470	33811068002	Shaft, toothed Z=21/13	1
480	33657169005	Gear-wheel Z=49	1
490	40612115003	Sealing ring	1
500	32805310010	Switch pushbutton	1
520	42644003001	Circlip	1
530	30610047000	Seal	1
540	43033064066	Cylinder head screw	4
550	41138025006	Hose socket	1
560	33218134000	Pressure piece	1
570	32170025000	Lever	2
710	31207295020	Housing	1
720	31602089009	Bush	1
730	30904041001	Leaf spring	1
740	43041026994	Fillister head screw	1
750	33216054000	Pressure piece	1
760	33218126000	Guide strip	2
770	43035076041	Cylinder head screw	12
780	43058008051	Set screw	6
790	33812007004	Gear rack	1
800	42443004057	Circlip M5	2
810	43035017057	Cylinder head screw	2
820	34300000047	Guide	1
830	33218118010	Flat headed screw	1
850	33412043000	Clutch part	1

**Type:** KBM 50 auto (60Hz, 120V)  
**Part no.:** 72704209360

<b>Item</b>	<b>Part no.</b>	<b>Designation</b>	<b>Quantity</b>
860	42401019085	Disc	2
870	30905055000	Cup spring	2
880	43035046085	Cylinder head screw	1
890	31420123000	Plug	1
900	43072013005	Screw	2
920	40612171000	Sealing ring	1
930	32429142000	Cover	1
940	31413237000	Protective hose	1
954	30707506010	Cable with plug N09	1
960	32431043002	Cable clamping piece	1
970	43074010000	Screw	2
980	32424031000	Cover	1
990	30762442980	Electronics 100-120V 50/60Hz	1
1000	43074013000	Screw	2
1010	42404005048	Disc	4
1020	42439013046	Lock washer	2
1030	43064024043	Screw	2
1040	32429149000	Cover	1
1050	43074008000	Screw	4
1060	43035013058	Cylinder head screw	2
1070	43033064066	Cylinder head screw	4
1080	33216056000	Magnetic foot	1
1090	32132035010	Container	1
1091	40612112007	Sealing ring	1

**Type:** KBM 50 auto (60Hz, 120V)  
**Part no.:** 72704209360

<b>Item</b>	<b>Part no.</b>	<b>Designation</b>	<b>Quantity</b>
1092	40612087004	Sealing ring	1
1095	30240357010	Ball cock Set	1
1096	31414070010	Flex-jointed hose	1
1100	31414069000	Hose	1
1110	42015000000	Nut	1
1200	30762469990	Electronics	1
1210	30719868010	Connecting cable	2
1220	30719875010	Connecting cable	1
1240	32429150000	Cover	1
1260	32217470060	Information sign	1
1270	32217406002	Sticker	1
1280	32217429060	Information sign	1
1290	32217465060	Information sign	1
1310	32217467060	Information sign	1
1525	30901341019	Spiral spring	1
1700	33401095000	Shaft	1
1705	63901050020	3/4 in Weldon mounting shaft	1
1710	30901341000	Spiral spring	1
1720	30510091000	Bush	1
1730	30503145006	Sealing ring	1
1740	42616033009	Circlip	1
1750	40612038007	Sealing ring	1
1760	42015000010	Nut	1
1770	42643016008	Circlip	1

**Type:** KBM 50 auto (60Hz, 120V)  
**Part no.:** 72704209360

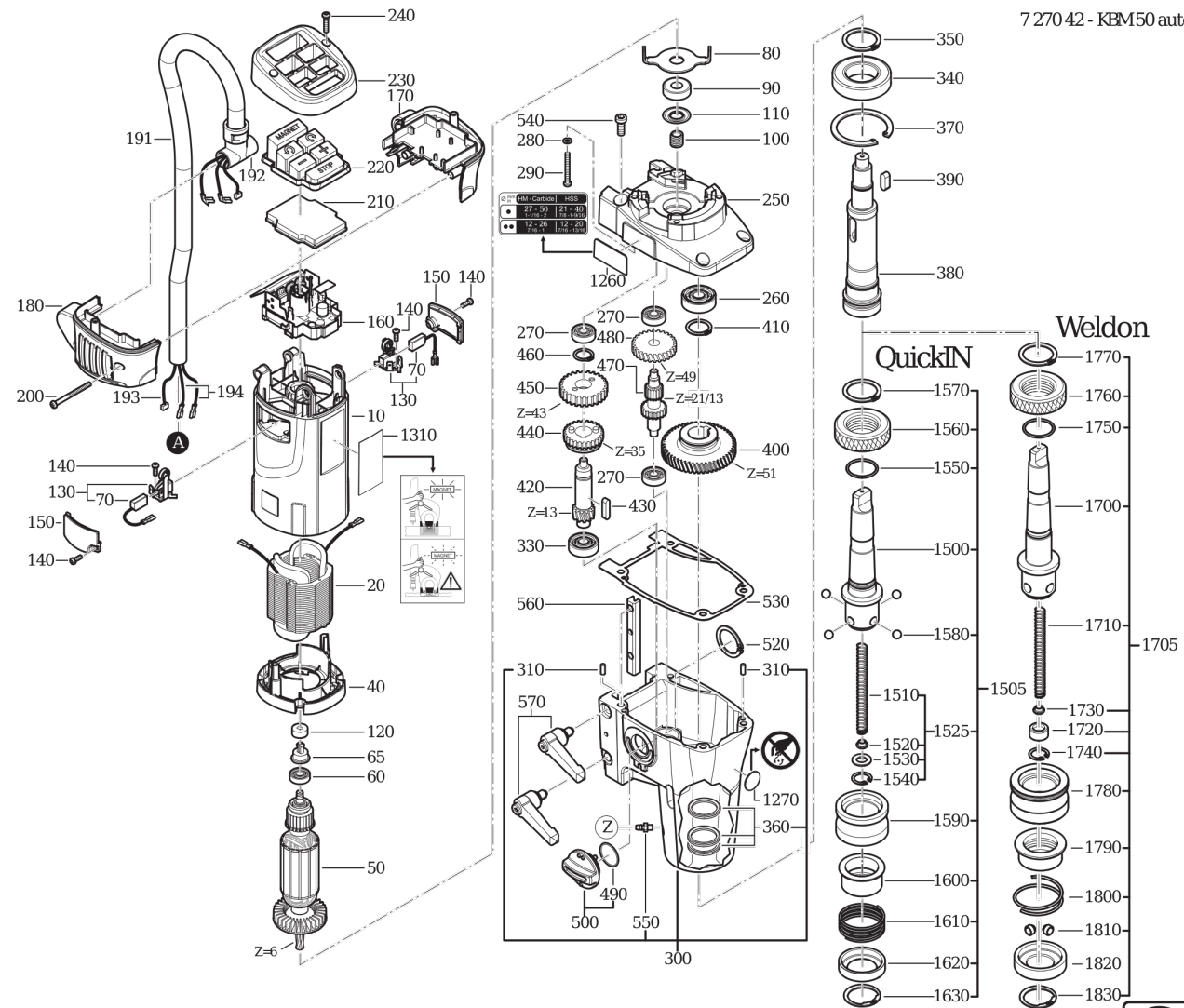
<b>Item</b>	<b>Part no.</b>	<b>Designation</b>	<b>Quantity</b>
1780	30503166000	Clamping sleeve	1
1790	30510090000	Bush	1
1800	30901396000	Spring	1
1810	30240312000	Pin	2
1820	30503167000	Sleeve	1
1830	42616076000	Circlip 28X1,5	1
2010	31207297020	Housing	1
2020	41701001032	Grooved ball bearing	1
2030	32408418000	Disc	2
2040	41701010054	Grooved ball bearing	1
2050	33806009000	Worm	1
2060	43045028046	Set screw	1
2070	54199025930	Motor	1
2080	43035005045	Cylinder head screw	4
2090	33713072000	Shaft, toothed Z=19	1
2100	33213007001	Scale	1
2110	41701025051	Grooved ball bearing	1
2120	42616015003	Circlip	1
2130	41708025004	Ball	3
2140	33807015000	Worm	1
2150	42616014009	Circlip	1
2160	30217360000	Selector shaft	1
2170	30901378000	Spiral spring	1
2180	30220062000	Sleeve	1

**Type:** KBM 50 auto (60Hz, 120V)  
**Part no.:** 72704209360

<b>Item</b>	<b>Part no.</b>	<b>Designation</b>	<b>Quantity</b>
2190	42634022000	Circlip	1
2200	30217352000	Locking bar	3
2210	40242041001	Pin	3
2220	41708018000	Ball	3
2230	30901155006	Spiral spring	3
2240	43045039068	Set screw	3
2250	32119114014	Handle	3
2260	40242051000	Pin	1
2270	30610049000	Cable grommet	1
2500	32217517000	RFID Transponder VE1	1
5000	33901142140	Case	1
5010	30232050000	Wire clamp	4
5020	33904486000	Plate	5
5030	33904487000	Plate	1
5100	31810286000	Protective grille	1
5110	63134998310	Centering pin	1
5120	64201001000	Hook f. chip removal	1
5130	32174008007	STRAP, SAFETY	1
5140	63305003003	Drift keys	1
5150	63134998330	Centering pin	1
5170	30217338000	Centering pin	1
6000	32132041000	Lubricant can 1000 g	1

Type:  
Part no.:

KBM 50 auto (60Hz, 120V)  
72704209360

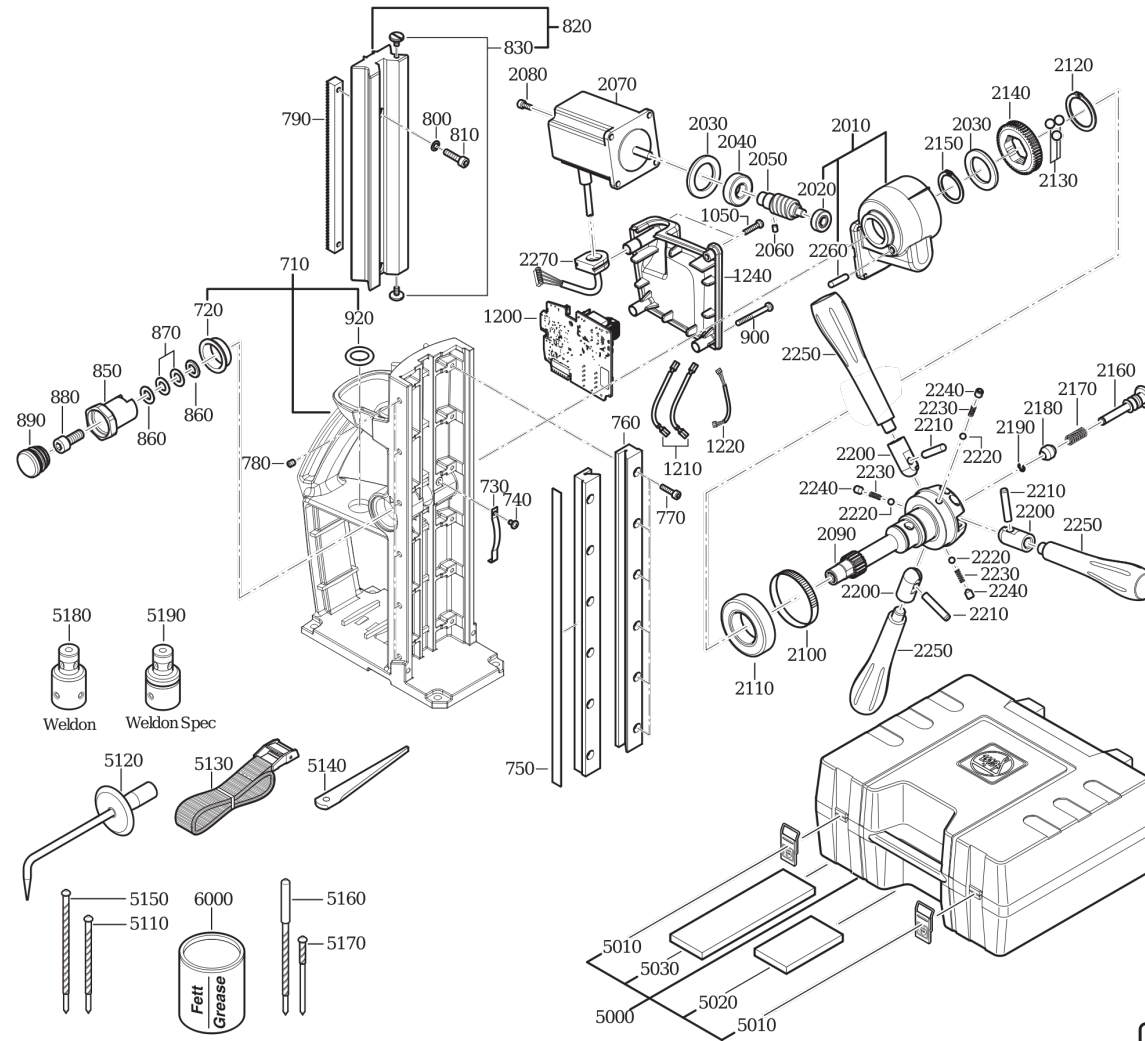




**Type:**  
**Part no.:**

KBM 50 auto (60Hz, 120V)  
72704209360

7 270 42 - KBM50 auto



**Type:**  
**Part no.:**

KBM 50 auto (60Hz, 120V)  
72704209360

7 270 42 - KBM50 auto

