

Type: JCM 256 U (60Hz, 120V)
Part no.: 72704712360

| Item | Part no. | Designation | Quantity |
|-------------|-----------------|-------------------------------|-----------------|
| 10 | 31903224010 | Motor housing | 1 |
| 20 | 51273007110 | Stator 110-120V | 1 |
| 40 | 31428168000 | Air guide ring | 1 |
| 50 | 53273010110 | Armature 50/60Hz,110-120V Z=6 | 1 |
| 60 | 41701001260 | Grooved ball bearing | 1 |
| 65 | 31406053007 | Sleeve | 1 |
| 70 | 30711136002 | Carbon brush | 2 |
| 80 | 32416098005 | Plate | 1 |
| 90 | 41701007050 | Grooved ball bearing | 1 |
| 100 | 32612135000 | Sealing ring | 1 |
| 110 | 42639028003 | Sealing ring | 1 |
| 120 | 32172010005 | Ring magnet | 1 |
| 130 | 30712088029 | Brush holder | 2 |
| 140 | 43074013000 | Screw | 4 |
| 150 | 32424029000 | Cover | 2 |
| 160 | 30762441990 | Electronics 100-230V,50/60H | 1 |
| 170 | 32429144000 | Cover | 1 |
| 180 | 32429145000 | Cover | 1 |
| 191 | 31414068000 | Protective hose | 1 |
| 192 | 32429146010 | Connecting piece | 1 |
| 193 | 30719861010 | Connecting cable | 1 |
| 194 | 30719864010 | Connecting cable | 2 |
| 200 | 43072013005 | Screw | 2 |
| 210 | 30762443990 | Electronics 100-230V,50/60Hz | 1 |

Type: JCM 256 U (60Hz, 120V)
Part no.: 72704712360

| Item | Part no. | Designation | Quantity |
|-------------|-----------------|-----------------------|-----------------|
| 220 | 32816078000 | Switch insert | 1 |
| 230 | 32429141000 | Cover | 1 |
| 240 | 43074008000 | Screw | 2 |
| 250 | 31506393000 | Intermediate gear box | 1 |
| 260 | 41701213011 | Grooved ball bearing | 1 |
| 270 | 41701204010 | Grooved ball bearing | 3 |
| 280 | 40611000000 | Sealing ring | 4 |
| 290 | 43072010009 | Screw | 4 |
| 300 | 31508288020 | Gearbox housing | 1 |
| 310 | 40201035003 | Straight pin | 2 |
| 330 | 41701010010 | Grooved ball bearing | 1 |
| 340 | 41701025051 | Grooved ball bearing | 1 |
| 350 | 42616015003 | Circlip | 1 |
| 360 | 40608000000 | Sealing ring | 3 |
| 370 | 42616074003 | Circlip | 1 |
| 380 | 33402055000 | Shaft MK3 | 1 |
| 390 | 40221061003 | Feather key | 1 |
| 400 | 33665060000 | Gear-wheel Z=51 | 1 |
| 410 | 42616009003 | Circlip | 1 |
| 420 | 33765019007 | Shaft, toothed Z=13 | 1 |
| 430 | 40221067009 | Feather key | 1 |
| 440 | 33613128002 | Gear-wheel Z=35 | 1 |
| 450 | 33611001010 | Gear-wheel Z=49 | 1 |
| 460 | 42616007001 | Circlip | 1 |

Type: JCM 256 U (60Hz, 120V)
Part no.: 72704712360

| Item | Part no. | Designation | Quantity |
|-------------|-----------------|----------------------|-----------------|
| 470 | 33811069000 | Gear-wheel Z=21/13 | 1 |
| 480 | 33657169005 | Gear-wheel Z=49 | 1 |
| 490 | 40612115003 | Sealing ring | 1 |
| 500 | 32805310010 | Switch pushbutton | 1 |
| 520 | 42644003001 | Circlip | 1 |
| 530 | 30610047000 | Seal | 1 |
| 540 | 43033064066 | Cylinder head screw | 4 |
| 550 | 41138025006 | Hose socket | 1 |
| 560 | 33218134000 | Pressure piece | 1 |
| 570 | 32170025000 | Lever | 2 |
| 710 | 31207295010 | Housing | 1 |
| 720 | 31602089009 | Bush | 2 |
| 730 | 30904041001 | Leaf spring | 1 |
| 740 | 43041026994 | Fillister head screw | 1 |
| 750 | 33216054000 | Pressure piece | 1 |
| 760 | 33218126000 | Guide strip | 2 |
| 770 | 43035076041 | Cylinder head screw | 12 |
| 780 | 43058008051 | Set screw | 6 |
| 790 | 33812007004 | Gear rack | 1 |
| 800 | 42443004057 | Circlip M5 | 2 |
| 810 | 43035017057 | Cylinder head screw | 2 |
| 820 | 34300000047 | Guide | 1 |
| 830 | 33218118010 | Flat headed screw | 1 |
| 840 | 33713071000 | Shaft, toothed Z=19 | 1 |

Type: JCM 256 U (60Hz, 120V)
Part no.: 72704712360

| Item | Part no. | Designation | Quantity |
|------|---------------------------------|------------------------------|----------|
| 850 | 42446003009 | Disc | 1 |
| 860 | 42616065008 | Circlip | 1 |
| 870 | 30109201010 | Connecting piece | 1 |
| 890 | 32119114014 | Handle | 3 |
| 900 | 32636046000 | Scale | 1 |
| 910 | 43035084062 | Cylinder head screw | 1 |
| 920 | 40612171000 | Sealing ring | 1 |
| 930 | 32429147000 | Cover | 1 |
| 940 | 31413237000 | Protective hose | 1 |
| 954 | 30707506010 | Cable with plug N09 | 1 |
| 960 | 32431043002 | Cable clamping piece | 1 |
| 970 | 43074010000 | Screw | 2 |
| 980 | 32424031000 | Cover | 1 |
| 990 | 30762442980 | Electronics 100-120V 50/60Hz | 1 |
| 1000 | 43074013000 | Screw | 2 |
| 1010 | 42404005048 | Disc | 4 |
| 1020 | 42439013046 | Lock washer | 2 |
| 1030 | 43064024043 | Screw | 2 |
| 1040 | 32429148000 | Cover R | 1 |
| 1050 | 43074008000 | Screw | 4 |
| 1060 | 43035013058 | Cylinder head screw | 2 |
| 1070 | 43033064066 | Cylinder head screw | 4 |
| 1080 | 33216057010 ↓ 32172044020 | Magnetic foot | 1 |

Type: JCM 256 U (60Hz, 120V)
Part no.: 72704712360

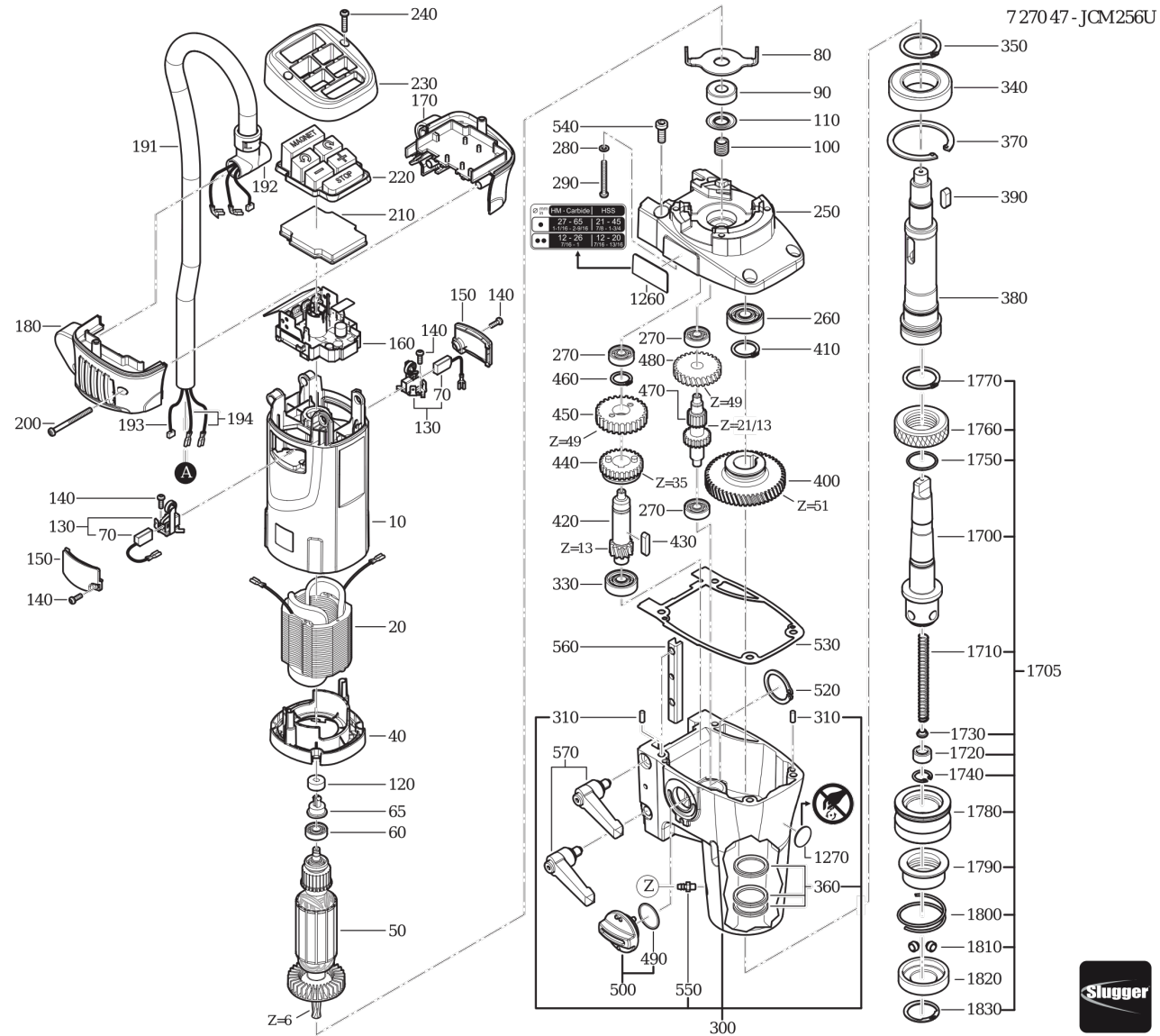
| Item | Part no. | Designation | Quantity |
|-------------|-----------------|------------------------------|-----------------|
| 1090 | 32132035010 | Container | 1 |
| 1091 | 40612112007 | Sealing ring | 1 |
| 1092 | 40612087004 | Sealing ring | 1 |
| 1095 | 30240357010 | Ball cock Set | 1 |
| 1096 | 31414070010 | Flex-jointed hose | 1 |
| 1100 | 31414069000 | Hose | 1 |
| 1110 | 42015000000 | Nut | 1 |
| 1130 | 32432079010 | Intermediate gear box | 1 |
| 1150 | 32170020000 | Lever | 1 |
| 1160 | 41709041004 | Roller | 2 |
| 1180 | 32408419000 | Disc | 2 |
| 1190 | 42001010103 | Hex nut | 2 |
| 1260 | 32217469060 | Information sign | 1 |
| 1270 | 32217406002 | Sticker | 1 |
| 1280 | 32217429060 | Information sign | 1 |
| 1290 | 32217465060 | Information sign | 1 |
| 1525 | 30901341019 | Spiral spring | 1 |
| 1700 | 33401095000 | Shaft | 1 |
| 1705 | 63901050020 | 3/4 in Weldon mounting shaft | 1 |
| 1710 | 30901341000 | Spiral spring | 1 |
| 1720 | 30510091000 | Bush | 1 |
| 1730 | 30503145006 | Sealing ring | 1 |
| 1740 | 42616033009 | Circlip | 1 |
| 1750 | 40612038007 | Sealing ring | 1 |

Type: JCM 256 U (60Hz, 120V)
Part no.: 72704712360

| Item | Part no. | Designation | Quantity |
|-------------|-----------------|----------------------|-----------------|
| 1760 | 42015000010 | Nut | 1 |
| 1770 | 42643016008 | Circlip | 1 |
| 1780 | 30503166000 | Clamping sleeve | 1 |
| 1790 | 30510090000 | Bush | 1 |
| 1800 | 30901396000 | Spring | 1 |
| 1810 | 30240312000 | Pin | 2 |
| 1820 | 30503167000 | Sleeve | 1 |
| 1830 | 42616076000 | Circlip 28X1,5 | 1 |
| 2500 | 32217517000 | RFID Transponder VE1 | 1 |
| 5000 | 33901143060 | Case | 1 |
| 5020 | 33904486000 | Plate | 1 |
| 5030 | 33904487000 | Plate | 1 |
| 5100 | 31810327000 | Protective grille | 1 |
| 5110 | 63134998310 | Centering pin | 1 |
| 5120 | 64201001000 | Hook f. chip removal | 1 |
| 5130 | 32174008007 | STRAP, SAFETY | 1 |
| 5140 | 63305003003 | Drift keys | 1 |
| 5150 | 63134998330 | Centering pin | 1 |
| 5170 | 30217338000 | Centering pin | 1 |
| 6000 | 32132041000 | Lubricant can 1000 g | 1 |

Type:
Part no.:

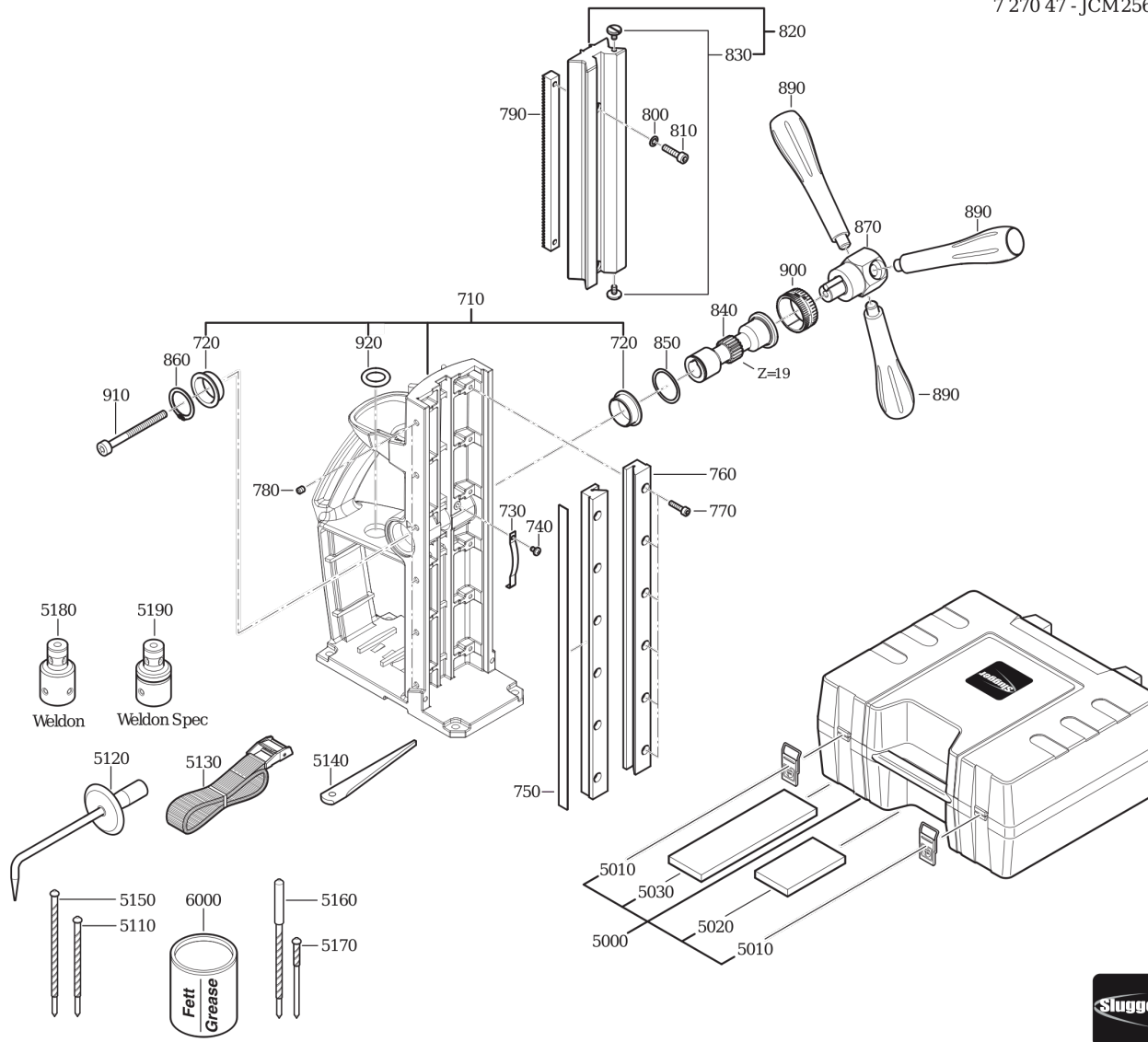
JCM 256 U (60Hz, 120V)
72704712360



Type:
Part no.:

JCM 256 U (60Hz, 120V)
72704712360

7 270 47 - JCM256U



Type:
Part no.:

JCM 256 U (60Hz, 120V)
72704712360

7 270 47 - JCM256U

