

Type: KBH 25 (60Hz, 120V)
Part no.: 72710109360

Item	Part no.	Designation	Quantity
10	53273010110	Armature 50/60Hz,110-120V Z=6	1
20	32416098005	Plate	1
30	41701007050	Grooved ball bearing	1
40	32612135000	Sealing ring	1
50	41701001260	Grooved ball bearing	1
50	30711136002	Carbon brush	2
60	31406053007	Sleeve	1
61	31406053010	Sleeve Set	1
70	32172010005	Ring magnet	1
80	32424029000	Cover	2
90	43074013000	Screw	2
100	43072012001	Screw	4
110	31413233000	Cable grommet	1
121	30707489010	Cable with plug N09 60Hz120V	1
130	31903219000	Motor housing	1
140	51273006110	Stator 50/60Hz,110-120V	1
150	31428168000	Air guide ring	1
180	30712088029	Brush holder	2
190	43074013000	Screw	2
200	30762431990	Electronics	1
210	30719815010	Connecting cable	1
220	30719816010	Connecting cable	1
230	30719814010	Connecting cable	1
240	31204187000	Handle half shell	1

Type: KBH 25 (60Hz, 120V)
Part no.: 72710109360

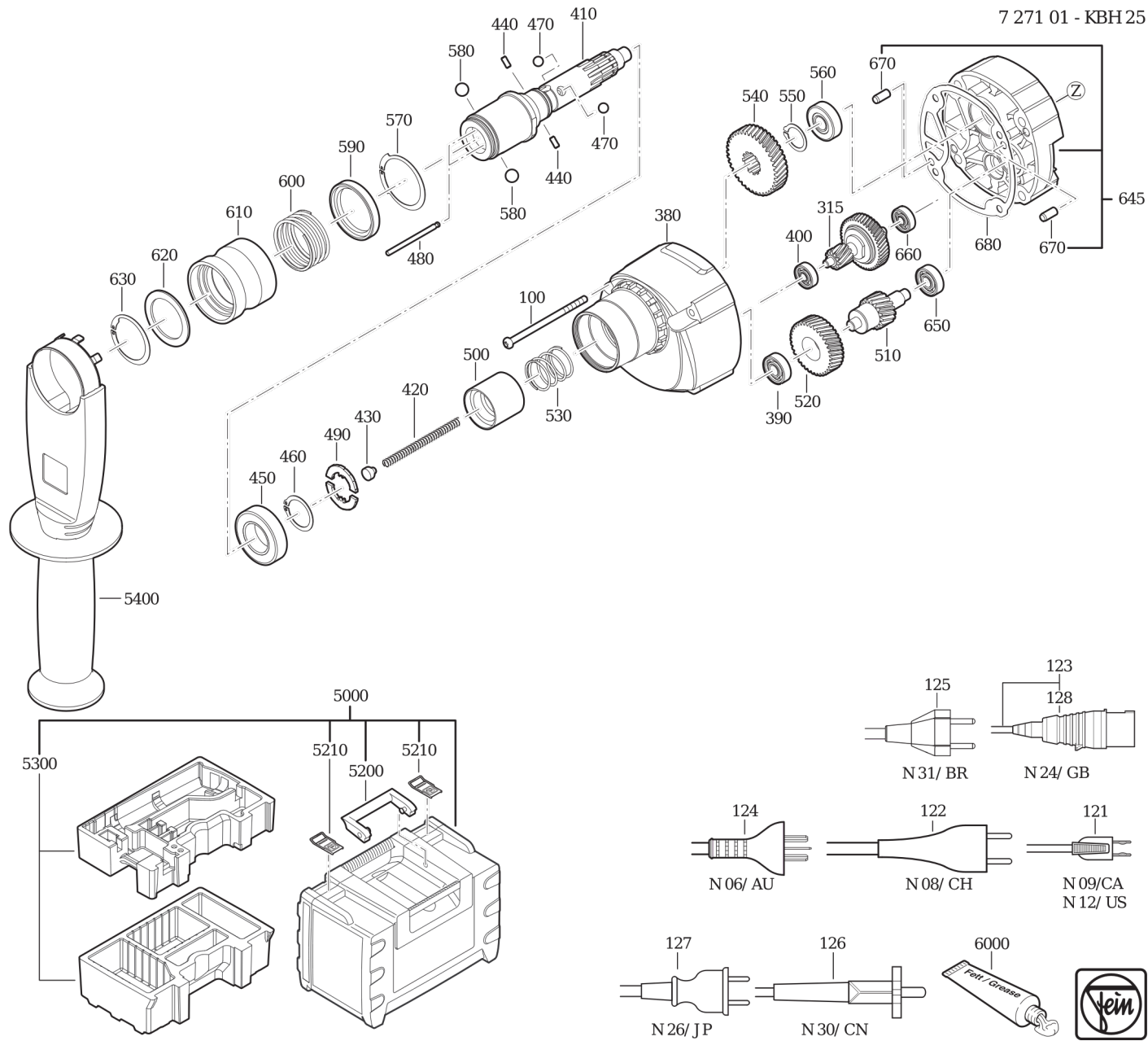
Item	Part no.	Designation	Quantity
250	30701292010	Switch	1
260	32431043002	Cable clamping piece	1
270	43074010000	Screw	1
280	31204188000	Handle half shell	1
290	43072013005	Screw	2
300	43074008000	Screw	3
315	33763065010	Clutch Z=11+Z=43	1
380	31508296000	Gearbox housing	1
390	41701001172	Grooved ball bearing	1
400	41701202018	Grooved ball bearing	1
410	33403114000	Shaft	1
420	30901382000	Spiral spring	1
430	30216150000	Bolt	1
440	30216151000	Bolt	2
450	41701109051	Grooved ball bearing	1
460	42616009003	Circlip	1
470	41708019004	Ball	2
480	30216152000	Bolt	2
490	30235025000	Circlip	2
500	30503160000	Sleeve	1
510	33763064000	Shaft, toothed Z=17	1
520	33661002000	Gear-wheel Z=36	1
530	30901381000	Spiral spring	1
540	33663174000	Gear-wheel Z=39	1

Type: KBH 25 (60Hz, 120V)
Part no.: 72710109360

Item	Part no.	Designation	Quantity
550	42616007001	Circlip	1
560	41701006034	Grooved ball bearing	1
570	42644013000	Circlip	1
580	41708025004	Ball	2
590	32602091000	Ring	1
600	30901383000	Spiral spring	1
610	30503161000	Sleeve	1
620	32408436000	Disc	1
630	42643009005	Circlip	1
645	31506383010	Intermediate gear box	1
650	41701001172	Grooved ball bearing	1
660	41701202018	Grooved ball bearing	1
670	40242058004	Pin	2
680	30610048000	Seal	1
2000	32217448990	Information sign	1
5000	33901122120	Tool case	1
5200	32119122000	Handle	1
5210	30232050000	Wire clamp	2
5300	33904428010	EPP insert KBH25	1
5400	32119078030	Handle	1
6000	32160003014	Lubricant tube 0,085 kg	1
9020	34130054061	Safety instruction	1

Type:
Part no.:

KBH 25 (60Hz, 120V)
72710109360



Type:
Part no.:

KBH 25 (60Hz, 120V)
72710109360

7 271 01 - KBH25

