

**Type:** KBH 25-2 U (60Hz, 120V)  
**Part no.:** 72710309360

<b>Item</b>	<b>Part no.</b>	<b>Designation</b>	<b>Quantity</b>
10	53273010110	Armature 50/60Hz,110-120V Z=6	1
20	32416098005	Plate	1
30	41701007050	Grooved ball bearing	1
40	32612135000	Sealing ring	1
50	41701001260	Grooved ball bearing	1
55	31406053010	Sleeve Set	1
60	31406053007	Sleeve	1
70	30711136002	Carbon brush	2
80	32424029000	Cover	2
90	43074013000	Screw	2
100	43072006001	Screw	4
110	31413233000	Cable grommet	1
120	30707489010	Cable with plug N09 60Hz120V	1
130	31903219000	Motor housing	1
140	51273006110	Stator 50/60Hz,110-120V	1
150	31428168000	Air guide ring	1
180	30712088029	Brush holder	2
190	43074013000	Screw	2
200	30762519990	Electronics	1
210	30719815010	Connecting cable	1
220	30719816010	Connecting cable	1
230	30719814010	Connecting cable	1
240	31204187000	Handle half shell	1
250	30701292010	Switch	1

**Type:** KBH 25-2 U (60Hz, 120V)  
**Part no.:** 72710309360

<b>Item</b>	<b>Part no.</b>	<b>Designation</b>	<b>Quantity</b>	<b>Unit</b>
260	32431043002	Cable clamping piece	1	9
270	43074010000	Screw	1	9
280	31204188000	Handle half shell	1	9
290	43072013005	Screw	2	9
300	43074008000	Screw	3	9
315	33761001010	Clutch	1	9
380	31508292000	Bearing	1	9
390	41701001172	Grooved ball bearing	2	9
400	41701202018	Grooved ball bearing	2	9
405	33403124010	Shaft zg	1	9
415	41709039003	Roller	1	9
420	30901382000	Spiral spring	1	9
430	30216150000	Bolt	1	9
440	30217361000	Bolt	2	9
450	41701109051	Grooved ball bearing	1	9
460	42616009003	Circlip	1	9
470	41708019004	Ball	2	9
480	30216152000	Bolt	2	9
490	30235025000	Circlip	2	9
510	33763064000	Shaft, toothed Z=17	1	9
520	33661002000	Gear-wheel Z=36	1	9
540	33663177000	Gear-wheel Z=39	1	9
560	41701006034	Grooved ball bearing	1	9
570	42644013000	Circlip	1	9

**Type:** KBH 25-2 U (60Hz, 120V)  
**Part no.:** 72710309360

Item	Part no.	Designation	Quantity	Price
580	41708025004	Ball	2	\$
590	32602091000	Ring	1	\$
600	30901383000	Spiral spring	1	\$
610	30503165000	Sleeve	1	\$
620	30504114000	Disc	1	\$
630	42616076000	Circlip 28X1,5	1	\$
645	31506400010	Intermediate gear box	1	\$
670	40242058004	Pin	2	\$
680	30610048000	Seal	1	\$
700	33661003000	Wheel	1	\$
715	30109230010	Draw key Set	1	\$
720	30216174000	Roller	6	\$
730	32408435000	Disc	4	\$
740	42643011006	Circlip	2	\$
750	32805233020	Switch pushbutton	1	\$
770	30229350010	Shift fork	1	\$
780	30235024000	Plate	1	\$
790	30216154000	Pin	1	\$
820	30109206000	Sleeve	1	\$
830	30109207000	Sleeve	1	\$
840	30504113010	Disc	1	\$
860	41708017002	Ball	3	\$
2000	32217475060	Sticker	1	\$
2010	32217521000	Information sign	1	\$

**Type:** KBH 25-2 U (60Hz, 120V)

**Part no.:** 72710309360

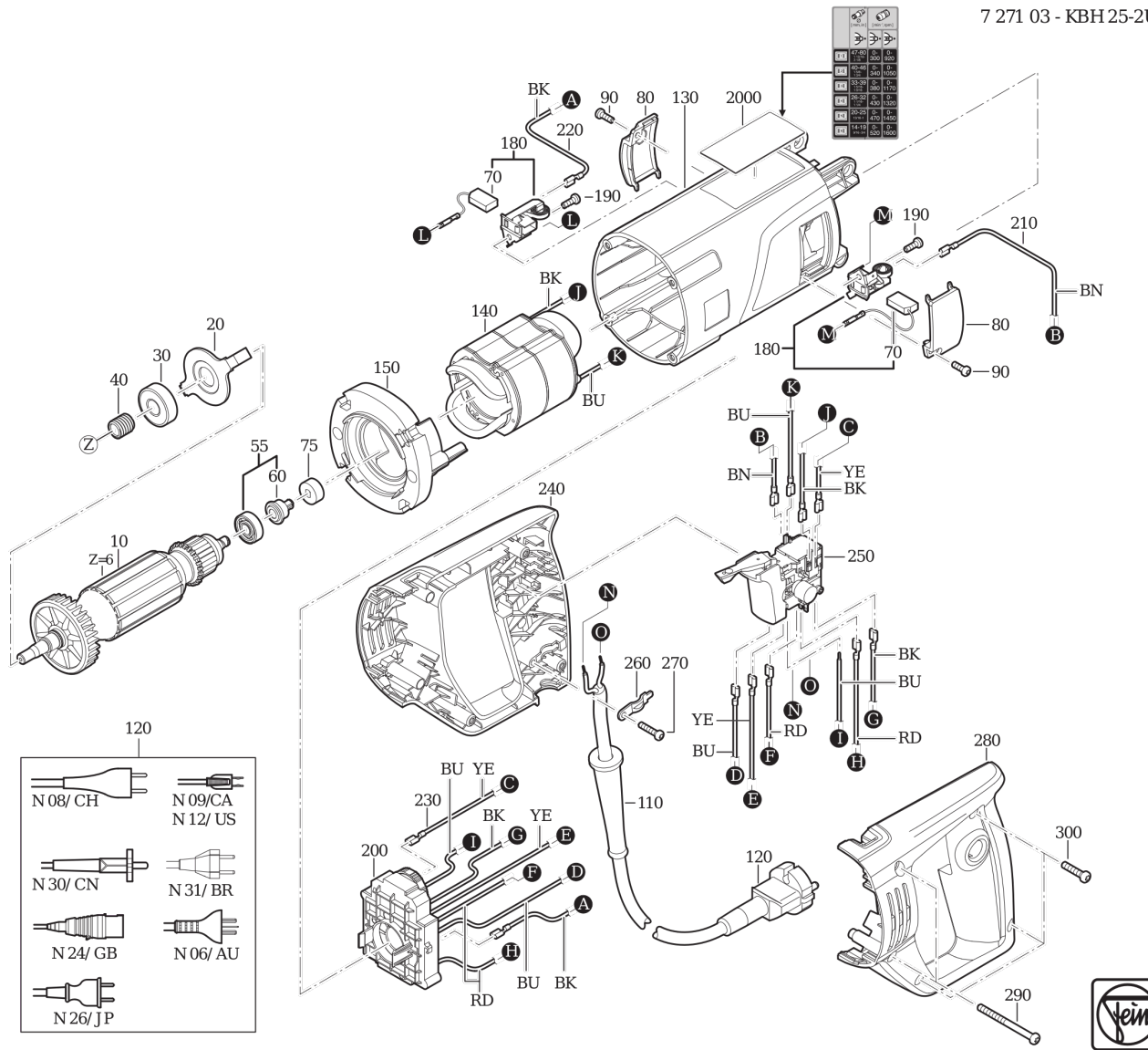
---

<b>Item</b>	<b>Part no.</b>	<b>Designation</b>	<b>Quantity</b>
2500	32217517000	RFID Transponder VE1	1
5000	33901122120	Tool case	1
5010	63114038010	Centring drill bit	1
5030	63901054000	QuickIN Plus adapter for 1/2 in -20 UNF	1
5060	63205038010	Quick-action chucks	1
5070	63901054010	Quick-action chucks	1
5080	62908015000	Sickle spanner	1
5090	62903002009	Jaw spanner SW17	1
5200	32119122000	Handle	1
5210	30232050000	Wire clamp	2
5300	33904428010	EPP insert KBH25	1
5400	32119078030	Handle	1
6000	32160003135	Lubricant tube 0,085 kg	1

**Type:**  
**Part no.:**

KBH 25-2 U (60Hz, 120V)  
72710309360

7 271 03 - KBH 25-2U



Type:  
Part no.:

KBH 25-2 U (60Hz, 120V)  
72710309360

7 271 03 - KBH 25-2U

