

Type: JHM ShortSlugger
Part no.: 72720112360

Item	Part no.	Designation	Quantity
20	31412064000	Terminal	2
30	32198190010	Container	1
31	31498760060	Hose	1
70	30798591120	Cable	1
80	31998630020	Cover	1
85	30798757100	Cable tie	1
120	43098703230	Screw	4
130	30798592040	Cable with plug	1
140	32198121000	Belt	1
150	33298493060	Magnetic foot 120V/60Hz	1
160	32217407000	Sticker	1
165	32217429060	Information sign	1
170	43098706430	Screw	4
180	42498720670	Disc	4
190	32198114000	Handle	3
200	31698391000	Connecting piece	1
210	43098704080	Screw	2
220	43098704295	Screw	3
230	63998611010	Protective grille	
	↓ 63998611020	Protective grille	1
290	43098710070	Screw	1
300	30798591095	Connecting cable	1
320	31298332820	Guide	1
325	31298331050	Stop button	1

Type: JHM ShortSlugger
Part no.: 72720112360

Item	Part no.	Designation	Quantity	Unit
330	42498748230	Rotary knob	3	9
340	42498720630	Disc	3	9
350	42498720600	Disc	7	9
360	42498720500	Lock washer	3	9
370	42498720540	Disc	5	9
380	43098705060	Screw	1	9
390	43098705370	Screw	2	9
400	31298392602	Housing	1	9
410	30798510130	Cover	1	9
420	43098708100	Screw	2	9
430	31298330020	Handle	1	9
440	42616023000	Circlip	2	9
450	31698320055	Disc	2	9
460	31698320040	Bush	2	9
470	31298335160	Housing	1	9
480	33298320040	Shaft	1	9
490	40298745000	Feather key	1	9
500	33698682000	Gear-wheel	1	9
510	43098705055	Screw	2	9
520	31298332540	Guide	1	9
540	43098704060	Screw	4	9
550	30798591058	Switch module	1	9
560	30798550098	Electronics	1	9
570	42001027045	Hex nut	2	9

Type: JHM ShortSlugger
Part no.: 72720112360

Item	Part no.	Designation	Quantity
580	42498720440	Disc	12
590	30798591110	Plate	1
600	32498520090	Protective cap	1
610	30798755270	Pushbutton	1
620	30798755275	Pushbutton	1
630	31498531020	Cover	1
640	30798755410	Switch	1
650	43098704330	Screw	1
670	30610034008	Seal	1
690	30798757544	Nut	1
700	30798591085	Cable	1
770	41798730390	Grooved ball bearing	1
780	53298653020	Armature Set 120V	1
790	41798730200	Grooved ball bearing	4
800	31998633060	Air guide ring	2
810	43098705600	Screw	2
830	51298653020	Stator	1
840	31998633011	Motor housing	1
850	32498610180	Adapter	1
870	43098706660	Screw	4
880	30798653080	Cap	2
890	30798653100	Carbon brush	2
900	30798653120	Brush holder	2
910	43098705010	Screw	2

Type: JHM ShortSlugger
Part no.: 72720112360

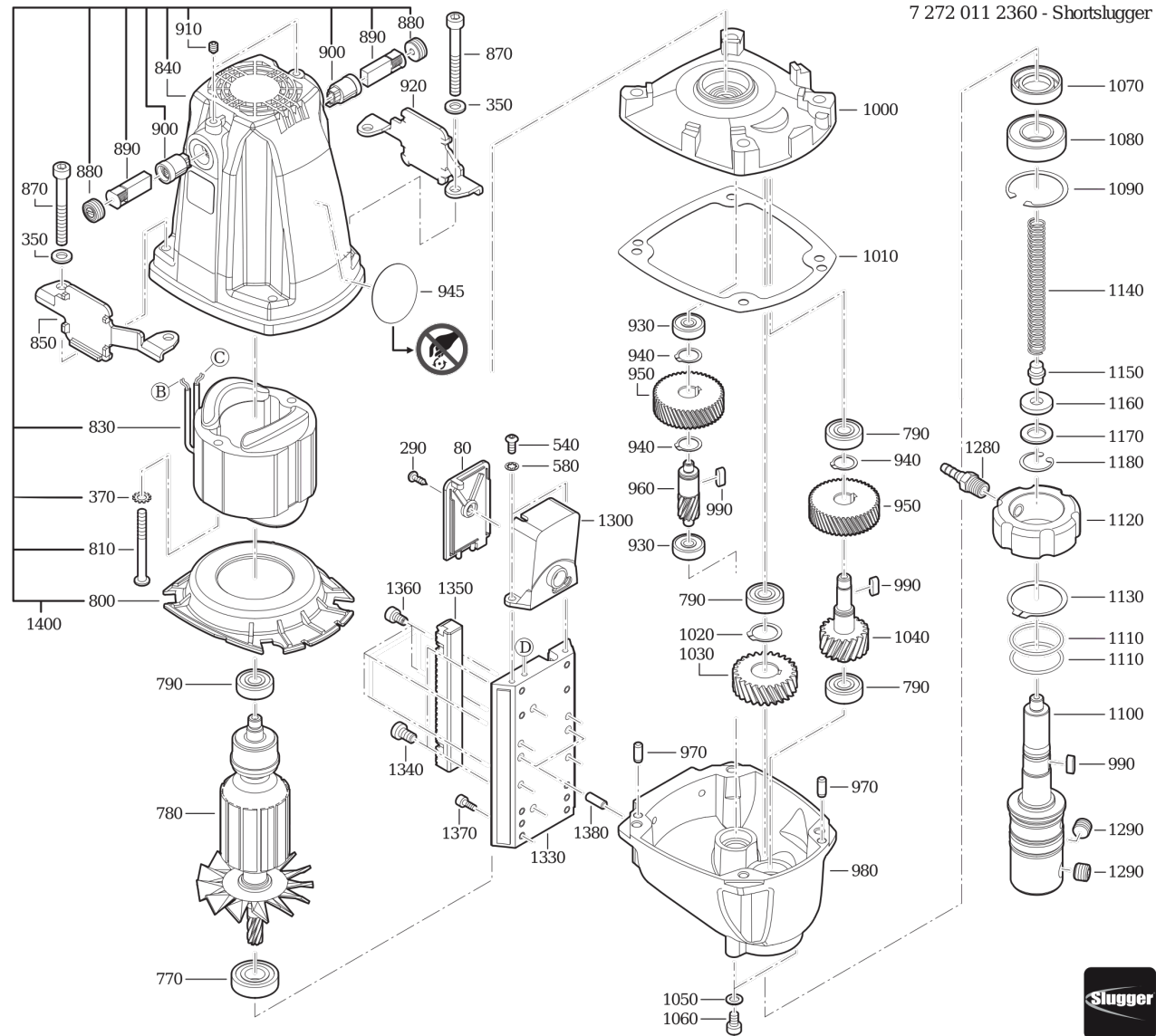
Item	Part no.	Designation	Quantity	
920	32498610160	Adapter	1	9
930	41798730120	Grooved ball bearing	2	9
940	42698740120	Ring	3	9
945	32217406002	Sticker	1	9
950	33698681030	Gear-wheel	2	9
970	40298742003	Pin	2	9
980	31998633040	Gearbox housing	1	9
990	40298745040	Feather key	3	9
1000	31998633020	Cover	1	9
1010	32498613000	Seal	1	9
1020	42698740080	Ring	1	9
1030	33698681050	Pinion	1	9
1040	33698681020	Shaft, toothed	1	9
1050	42498720560	Disc	2	9
1060	43098705040	Screw	2	9
1070	40698763020	Sealing ring	1	9
1080	41798730450	Grooved ball bearing	1	9
1090	42698741350	Ring	1	9
1100	33498621020	Pressure spindle	1	9
1110	40698763560	Ring	2	9
1120	31998633080	Ring	1	9
1130	42698740320	Ring	1	9
1140	30998744240	Spring	1	9
1150	33498223340	Plunger	1	9

Type: JHM ShortSlugger
Part no.: 72720112360

Item	Part no.	Designation	Quantity
1160	42498726030	Disc	1
1170	42498726060	Disc	1
1180	42698741190	Circlip	1
1280	31498761020	Hose socket	1
1290	43098709000	Screw	2
1300	31998630010	Cover	1
1330	31998631130	Guide	1
1340	43098706050	Screw	2
1350	33698680020	Gear rack	1
1360	43098705220	Screw	4
1370	43098704120	Screw	1
1380	40298742020	Pin	2
1400	52298690350	Stator unit 120V	1
2010	64298120140	Clamping unit	1
2020	31698321000	Connecting piece	1
2030	42098746000	Disc	1
5000	33998140025	CASE, CARRYING, JHM SHRTSLGGR W/ST	1
5370	32198131000	Belt	1
5380	62998780030	Wrench	1
5390	64298160400	Swarf hook	1

Type:
Part no.:

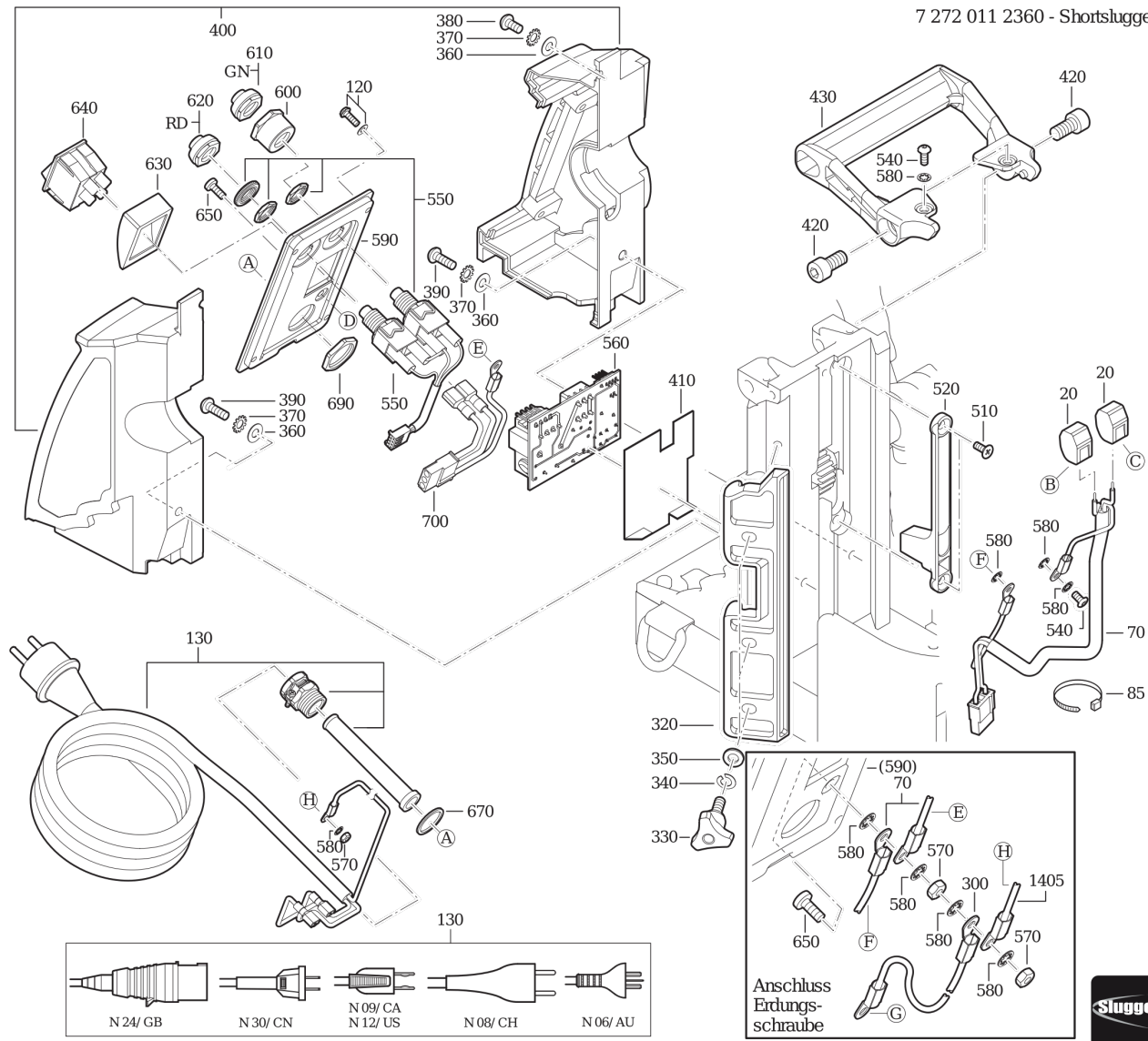
JHM ShortSlugger
72720112360



Type:
Part no.:

JHM ShortSlugger
72720112360

7 272 011 2360 - Shortslugger



Type:
Part no.:

JHM ShortSluggger
72720112360

7 272 011 2360 - Shortslugger

