



JWSS-22S Stand

(fits JWSS-18B and JWSS-22B JET Scroll Saws)

Assembly Instructions and Parts Breakdown

Shipping contents

Refer to Figures 1 and 2, and exploded view on reverse side.

- 2 Short top braces – (#3)
- 2 Long top braces – (#4)
- 2 Short bottom braces – (#7)
- 2 Long bottom braces – (#8)
- 4 Legs – (#5)
- 4 Leg extensions – (#10)
- 1 Hardware kit, contains:
 - 4 Hex cap screws 5/16x1 – (HP1)
 - 24 Carriage bolts 5/16x1/2 – (HP2)
 - 32 Flat washers 5/16 – (HP3)
 - 28 Hex nuts 5/16 – (HP4)

Tools required for assembly

- 14mm open-end wrench
- 12mm wrench

Assembling stand

1. Assemble stand pieces, referring to Figure 10. **Only finger-tighten** all fasteners at this time.
2. The leg extensions (#10, Figure 1) can be adjusted for height.
3. If stand will not be bolted to the floor, install the leveling feet that were included with the scroll saw, onto the bottoms of the stand leg extensions.
4. Position stand upright on level floor. Push down on stand assembly to settle it on floor, then fully tighten all fasteners with 12mm wrench.

5. Some scrollers prefer to tilt the saw toward them for convenience. If this is desired, adjust only the two front leg extensions.
6. Mount scroll saw to stand, according to instructions in the scroll saw manual.

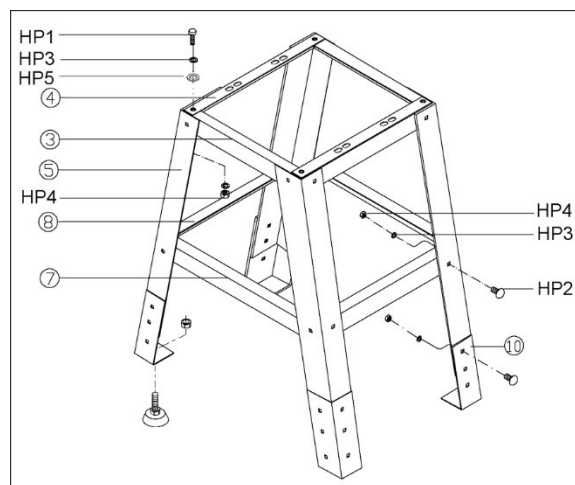


Figure 1: stand assembly



Figure 2: hardware kit JWSS22B-SHK

JET

427 New Sanford Road
LaVergne, Tennessee 37086
Ph.: 800-274-6848
www.jettools.com

Part No. M-727300S
Edition 2 10/2018
Copyright © 2018 JET

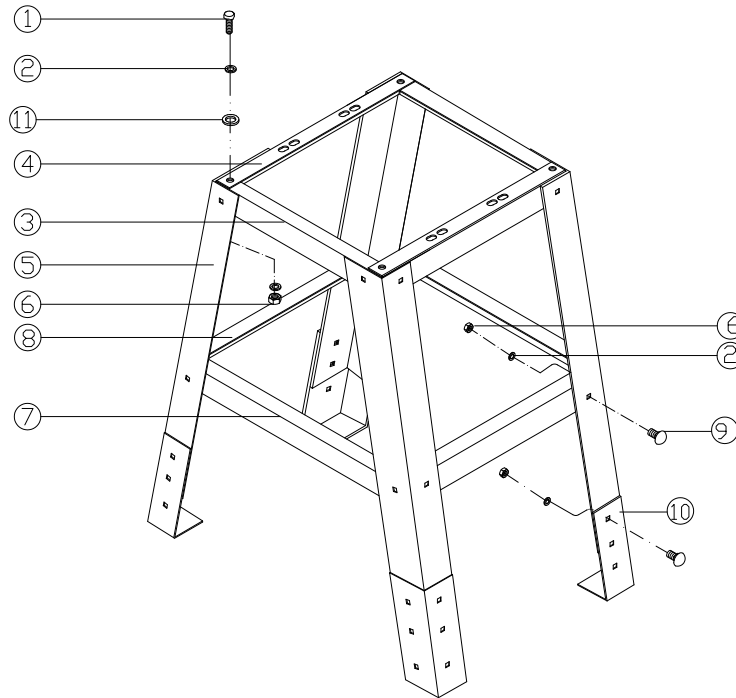
Specifications

Stock number	727300S
Stand footprint (LxW)	28 x 25-1/2 in. (711 x 648 mm)
Net weight	21 lbs (9.5 kg)
Shipping weight.....	23 lbs (10.4 kg)

Specifications were current at time of publication, but because of our policy of continuous improvement, JET reserves the right to change specifications at any time and without prior notice, without incurring obligations.

Replacement Parts

To order parts or reach our service department, call 1-800-274-6848 Monday through Friday, 8:00 a.m. to 5:00 p.m. CST. Having the Model Number and Serial Number of your product available when you call will allow us to serve you quickly and accurately. Non-proprietary parts, such as fasteners, are usually available at local hardware stores or may be ordered from JET.



Index No	Part No	Description	Size	Qty
.....	727300S.....	Stand for Scroll Saw (#1 thru 10).....
1.....	TS-0051051.....	Hex Cap Screw.....	5/16"-18 x 1".....	4
2.....	TS-0680031.....	Flat Washer.....	5/16".....	32
3.....	JWSS22B-103.....	Top Short Brace.....	14-1/2"L.....	2
4.....	JWSS18B-104.....	Top Long Brace.....	16-5/8"L.....	2
5.....	JWSS22B-105.....	Leg.....	4
6.....	TS-0570021.....	Hex Nut.....	5/16"-18.....	28
7.....	JWSS22B-107.....	Bottom Short Brace.....	19-3/8"L.....	2
8.....	JWSS22B-108.....	Bottom Long Brace.....	21-1/2"L.....	2
9.....	JWSS22B-109.....	Round Hd. Carriage Bolt, b.oxide.....	5/16"-18 x 1/2".....	24
10.....	JWSS22B-110.....	Leg Extension.....	4
11.....	JWSS22B-111.....	Rubber washer (included with saw hardware).....	4
.....	JWSS22B-SHK.....	Stand Hardware Kit (#1,2,6,9).....

⚠ WARNING: This product can expose you to chemicals including lead and cadmium which are known to the State of California to cause cancer and birth defects or other reproductive harm, and phthalates which are known to the State of California to cause birth defects or other reproductive harm. For more information go to <http://www.p65warnings.ca.gov>.

⚠ WARNING: Drilling, sawing, sanding or machining wood products generates wood dust and other substances known to the State of California to cause cancer. Avoid inhaling dust generated from wood products or use a dust mask or other safeguards for personal protection. Wood products emit chemicals known to the State of California to cause birth defects or other reproductive harm. For more information go to <http://www.p65warnings.ca.gov/wood>.