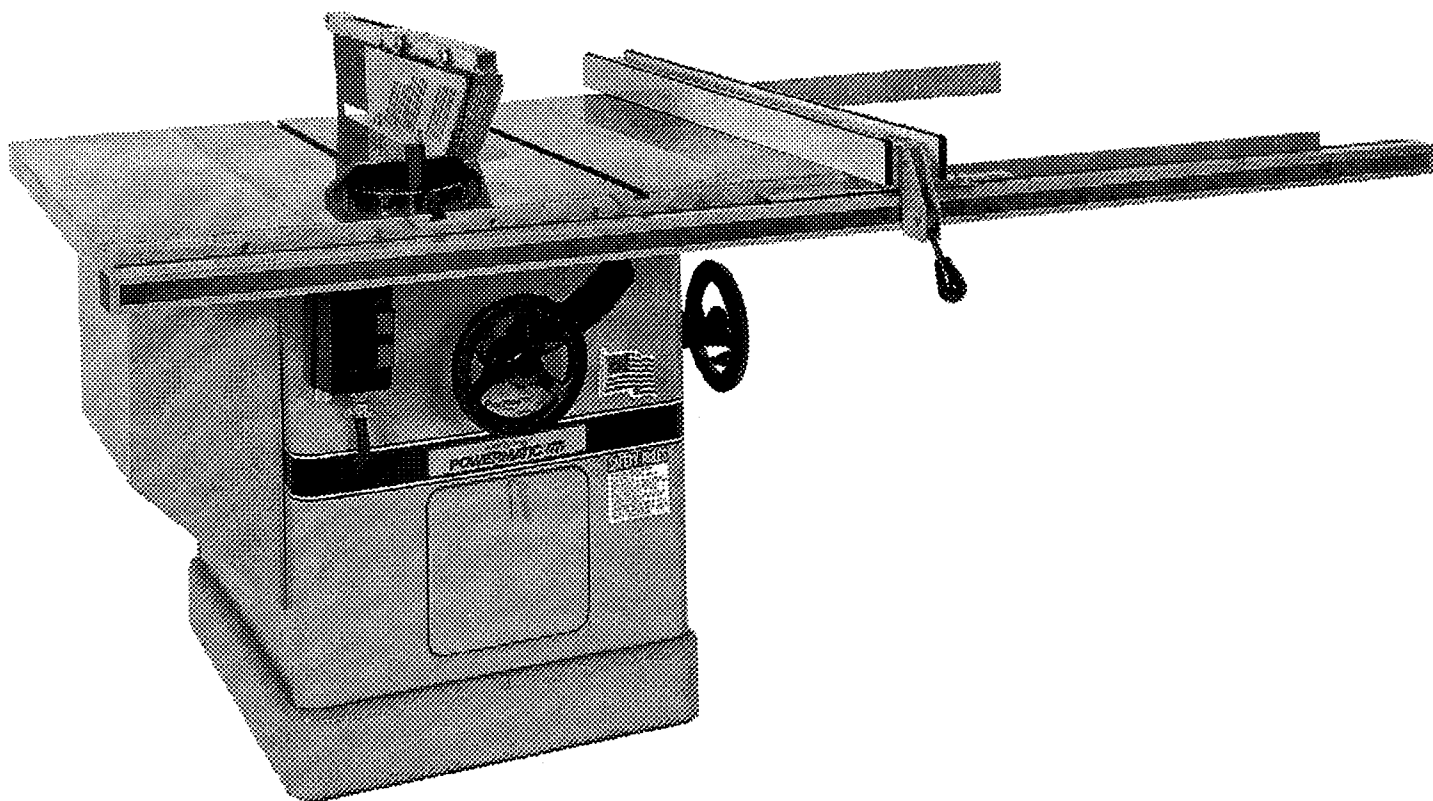


MAINTENANCE INSTRUCTION AND PARTS LIST

Model

72-A

TILTING ARBOR SAW



Better By Design™

POWERMATIC®



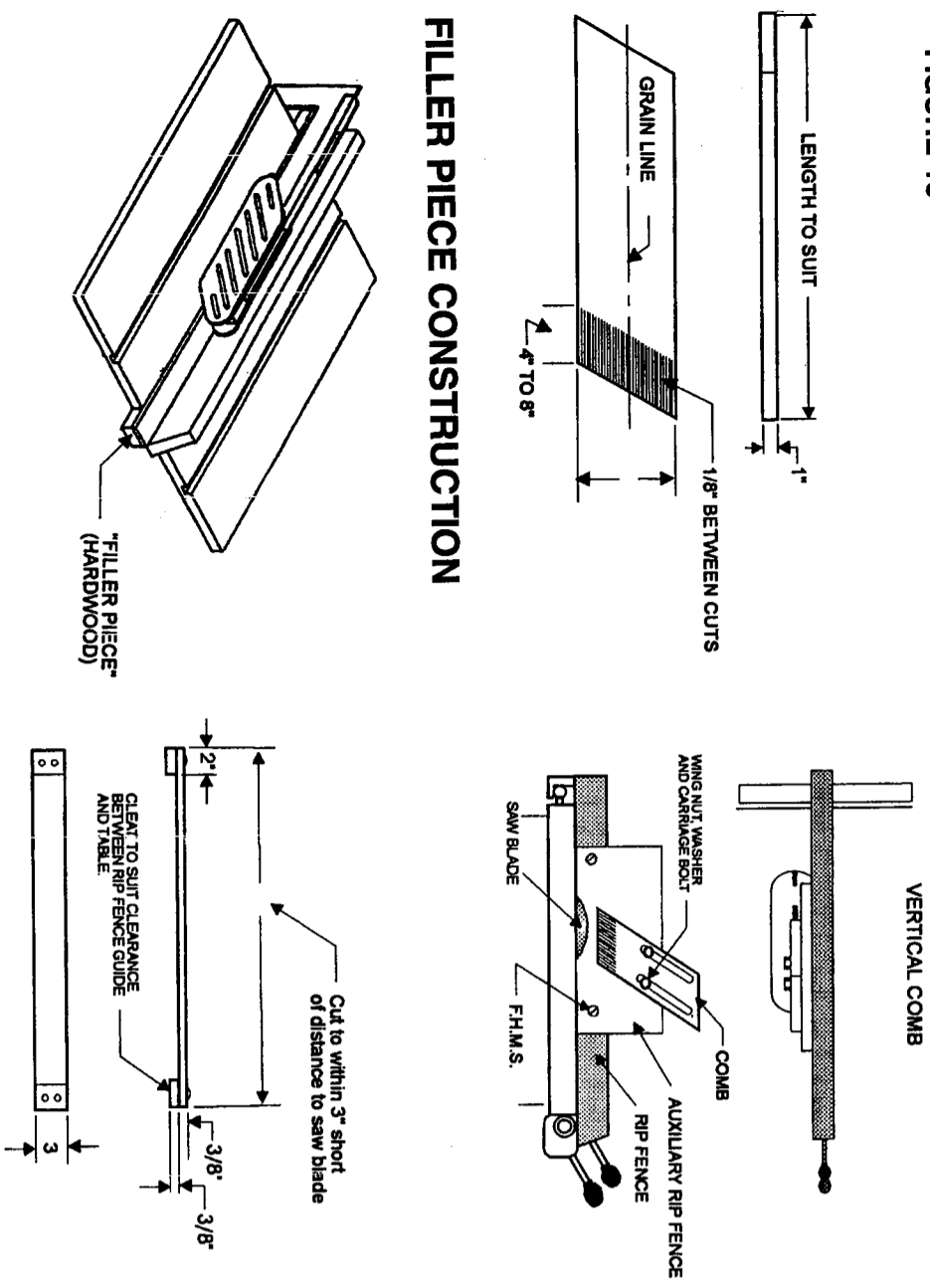
McMINNVILLE, TENNESSEE 37110

(931) 473-5551

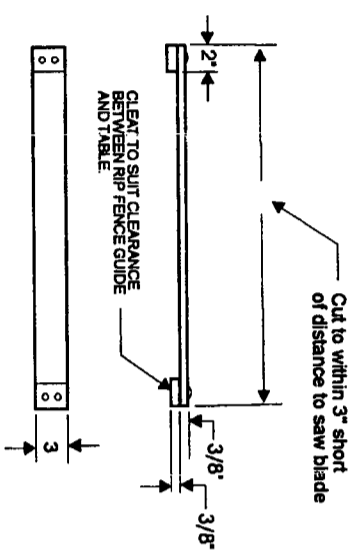
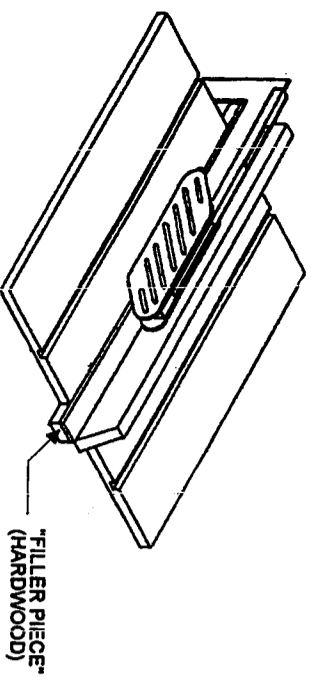
FEATHER BOARD CONSTRUCTION

The Feather Board is to be made of straight grain hardwood approximately 1" thick and 4" to 8" wide according to the size of the machine. The length should be developed in accordance with its intended use. Feather Boards can be fastened to the table or rip fence by the use of "C" clamps. Drilled and tapped holes in the table top allow for the use of wing nuts and washers as a method of clamping. Provide slots in the Feather Board for adjustments if this method of clamping is used. Figure 18 shows a method of attaching and use of Feather Boards as a vertical comb. The horizontal application is essentially the same except the attachment is to the table top.

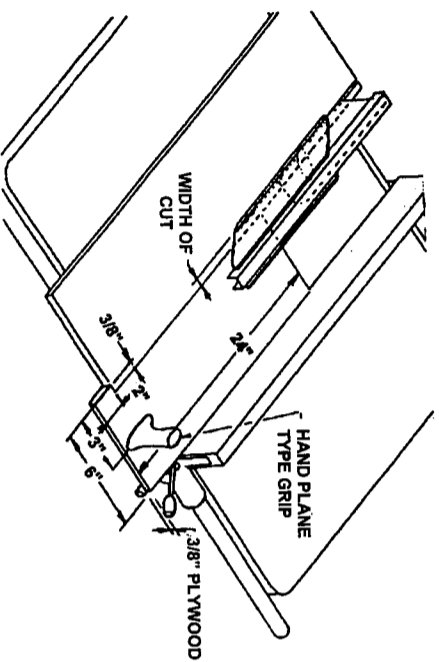
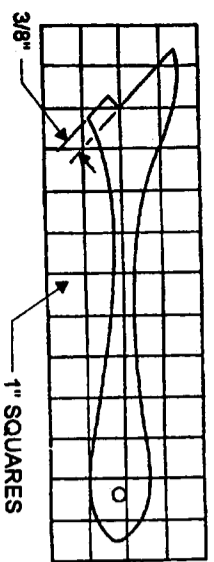
FIGURE 18



FILLER PIECE CONSTRUCTION

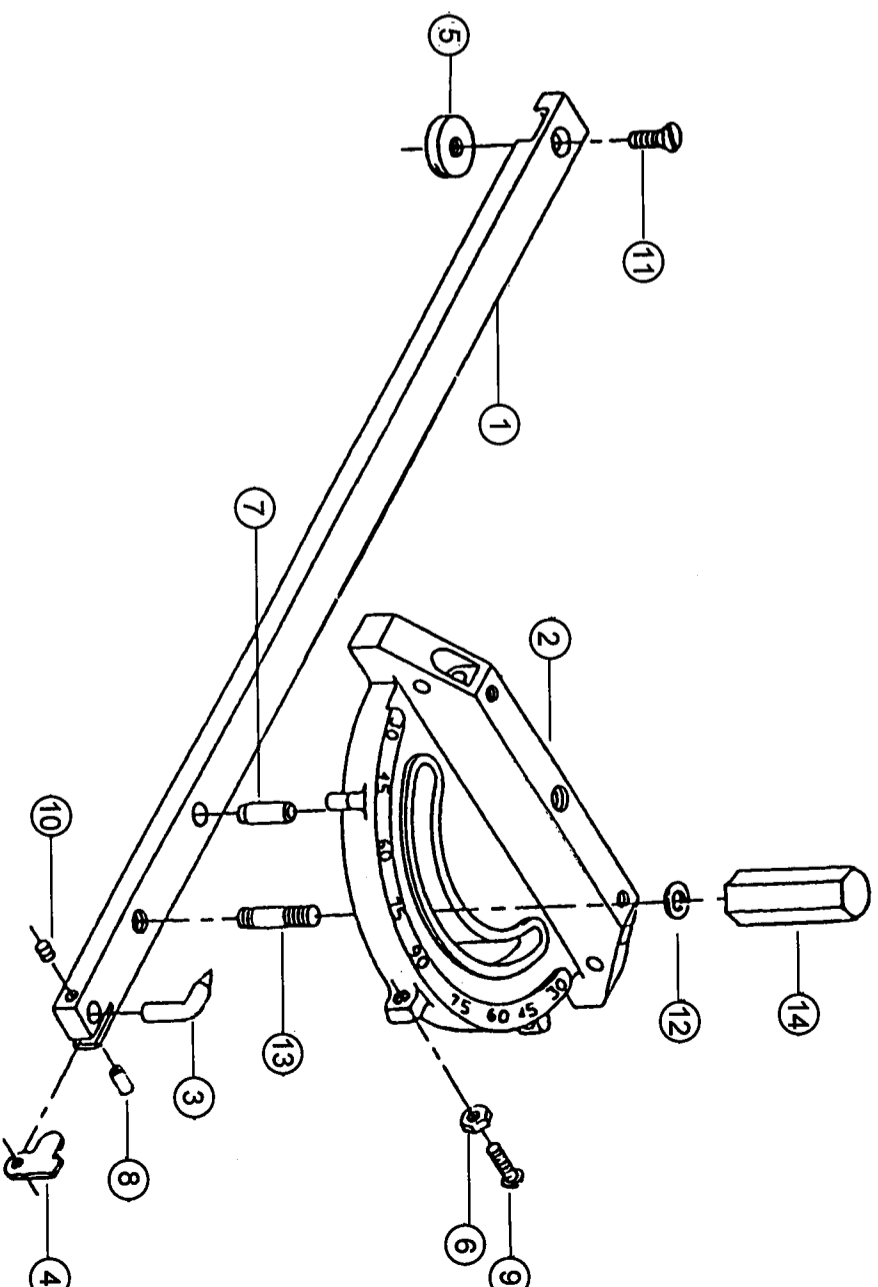


PUSH STICK & PUSH BLOCK CONSTRUCTION



PARTS LIST: MITER GAUGE ASSEMBLY 2471015

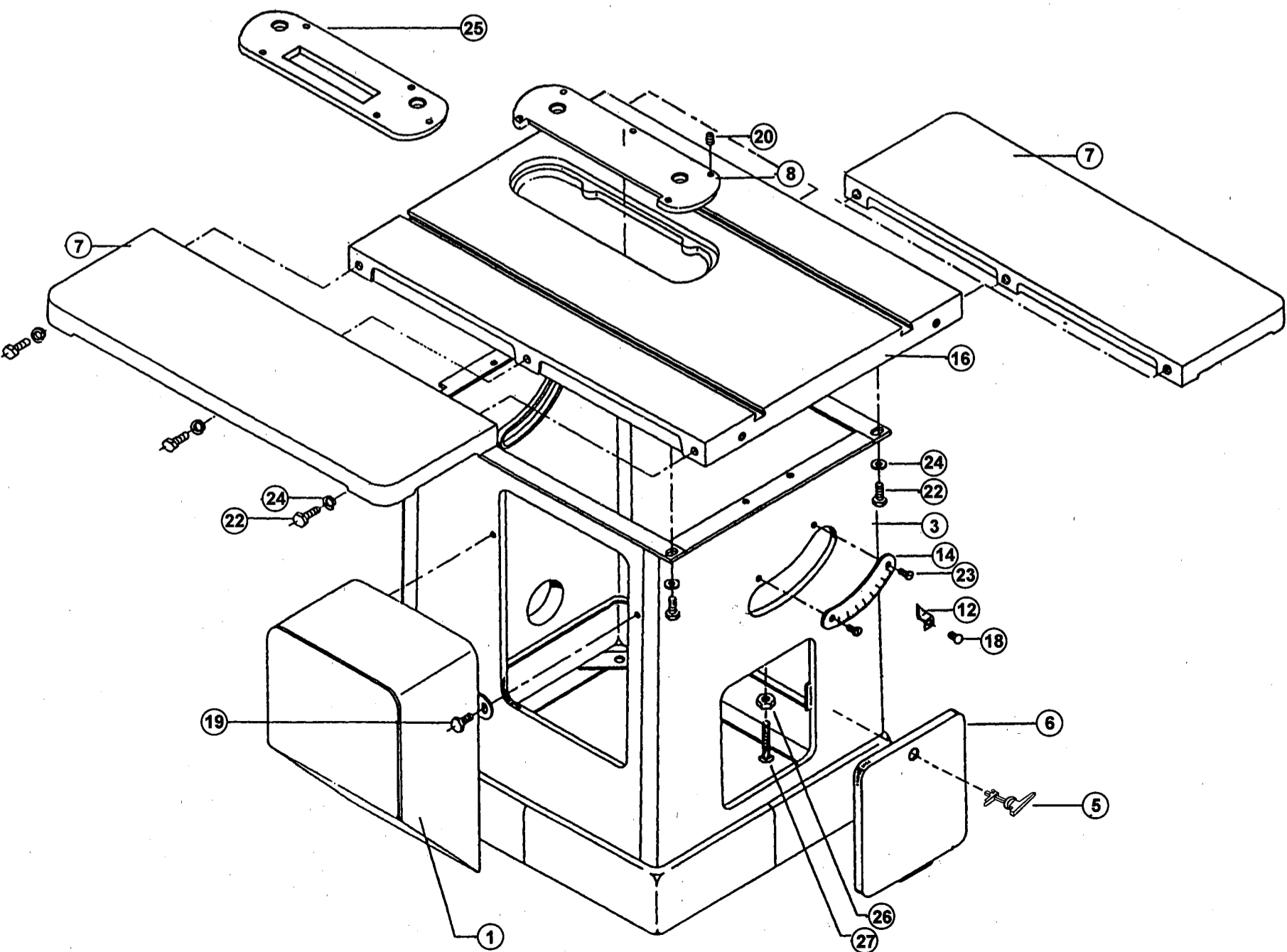
NO. PART NO.	DESCRIPTION	NO. PART NO.	DESCRIPTION
1	3044053 BAR, MITER GAUGE	9	676040 SCREW, FILLISTER HD.
2	3230038 GAUGE, MITER	10	6708001 MACHINE 6-32 X 5/8"
3	3604012 POINTNER, MITER GAUGE	11	6714053 SCREW, SOC. SET, 8-32 X 3/8"
4	3761001 STOP, MITER GAUGE	11	6714053 CAP SCREW, FLAT HD.
5	3841202 WASHER, MITER GAUGE BAR	12	6861101 WASHER, FLAT PLAIN 1/4"
6	6506001 NUT, HEX. 6-32	13	3695221 SCREW, LOCKING 1/4" X 3-3/8"
7	6623012 PIN, DOWEL 1/4" X 1"	14	3268050 KNOB, MITER GAUGE HANDLE
8	6626055 PIN, SPRING 1/8" X 1/4"		



PARTS LIST: STAND ASSEMBLY

NO. PART NO. DESCRIPTION	NO. PART NO. DESCRIPTION
1 2104031 MOTOR COVER	20 6714081 SETSCREW, SLOT HD. STEEL
2 2759040 STAND ASSEMBLY, WELDMENT	21 1/4-20 X 3/8"
5 6440003 LATCH, DOOR	22 6718009 SCREW, HEX. HD. CAP 1/2-13 X
6 3136018 DOOR, DUST REMOVAL	23 1-1/4"
7 3186005 EXTENSION, 1" ROUND	23 6746001 SCREW, PAN HD. SELF-TAPPING
8 3328073 INSERT, TABLE	24 6 X 1/4"
12 3604003 POINTER, SAW TILTING	24 6861500 WASHER, HELICAL SPRING
14 3684217 SCALE	25 3328075 LOCK 1/2"
15 3703003 SHAFT, 3/8" DIAMETER	25 INSERT, DADO
16 3797424 TABLE, T.A. SAW	26 6515001 NUT, HEX. 5/16"-18
18 6708012 SCREW, ROUND HD. MACHINE	27 6715101 SCREW, SQUARE HD.
19 6714049 SCREW, HEX. HD. 1/4-20 X 3/4"	27 2136002 DOOR ASSEMBLY

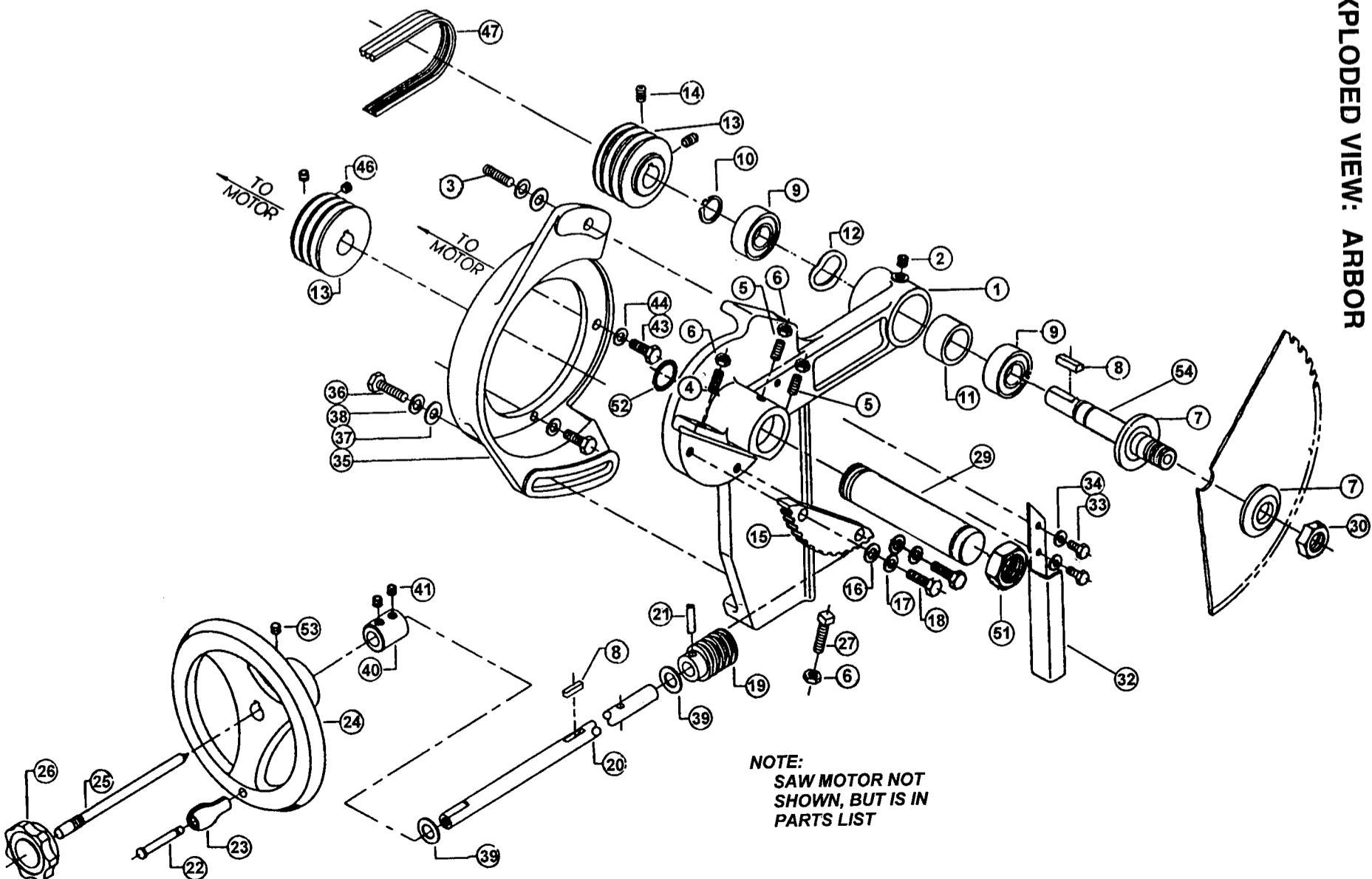
EXPLODED VIEW: STAND ASSEMBLY



PARTS LIST: ARBOR

NO. PART NO. DESCRIPTION	NO. PART NO. DESCRIPTION
1 3025265 ARM, BEARING	25 3583011 LOCATING PIN, SAW RAISING & TILT
2 6716003 SCREW, SOC. SET 3/8-16 X 3/8"	26 3406018 KNOB, .382, #801 BLACK PHENOLIC
3 3773325 STUD, 1/2-13 X 2-5/8 DB. END	27 6710682 SCREW, SET. SQ. HD. 3/8-16 X 2-1/2"
4 6716006 SCREW, SOC. SET 3/8-16 X 1-1/4"	29 3711005 SHAFT, SAW ARM PIVOT
5 6716081 SCREW, SQ. HD. SET	30 6526005 NUT, JAM 1"-8 R.H.
6 6516009 NUT, JAM 3/8-16	32 3090012 CHUTE, DUST
7 2024020 ARBOR ASSY. (Items 7 and 9 thru 12 & 54)	33 6714127 SCREW, HEX. HD. 1/4-20 X 1/2"
8 3838007 ARBOR ASSY. (Items 7 thru 54)	34 6861100 WASHER, SPRING LOCK HELICAL 1/4"
9 6420002 KEY, #608 WOODRUFF #13	35 3480015 MOUNT, MOTOR
10 6060010 BEARING, BALL DOUBLE SEAL 205NPP	36 6718017 SCREW, GAP HEX. HD. 1/2-13 X 1-3/4"
11 6670005 RING, RETAINING #5100-100	37 6861501 WASHER, FLAT 1/2"
12 3737215 SPACER, BEARING	38 6861500 WASHER, SPRING LOCK HELICAL 1/2"
13 6863005 WASHER	39 6861901 WASHER, FLAT 3/4"
14 3717167 SHEAVE, ARBOR	40 3096004 COLLAR, SAW RAISING
15 6715013 SCREW, SET, STEEL 5/16-18 X 3/8"	41 6716031 SCREW, CUP POINT SOC. HD. 5/16-18 X 1/4"
16 3237034 GEAR, SEGMENT WORM	43 6716031 SCREW, HEX. HD. 3/8-16 X 1"
17 6861301 WASHER, FLAT 3/8"	44 6861300 WASHER, SPRING LOCK HELICAL 3/8"
18 6861300 WASHER, SPRING LOCK HELICAL 3/8"	46 6715016 SCREW, SET. SOC. HD. CUP POINT 5/16-18 X 5/16"
19 6716032 SCREW, HEX. HD. 3/8-16 X 1-1/2"	47 6077169 BELT, VEE 3VX250 (matched 3 required)
20 2865004 WORM, SAW RAISING ASSY. (Items 19, 20 & 21)	
21 3865001 WORM, SAW RAISING & TILTING	
22 3701027 SHAFT, SAW RAISING WORM	
23 6626031 PIN, SPRING 3/16 X 1-1/8"	
24 2271008 HANDWHEEL ASSY. (Items 22, 23 & 41)	
25 6624006 PIN GROOVE 1/4 X 3" (Headed)	
26 3268201 HANDLE, NYLON MACHINE, BLACK	
27 3271039 HANDWHEEL, 8" X 3/4"	
28 2440009 LOCK ASSY., RAISE & TILT (Items 25 & 26)	

EXPLODED VIEW: ARBOR

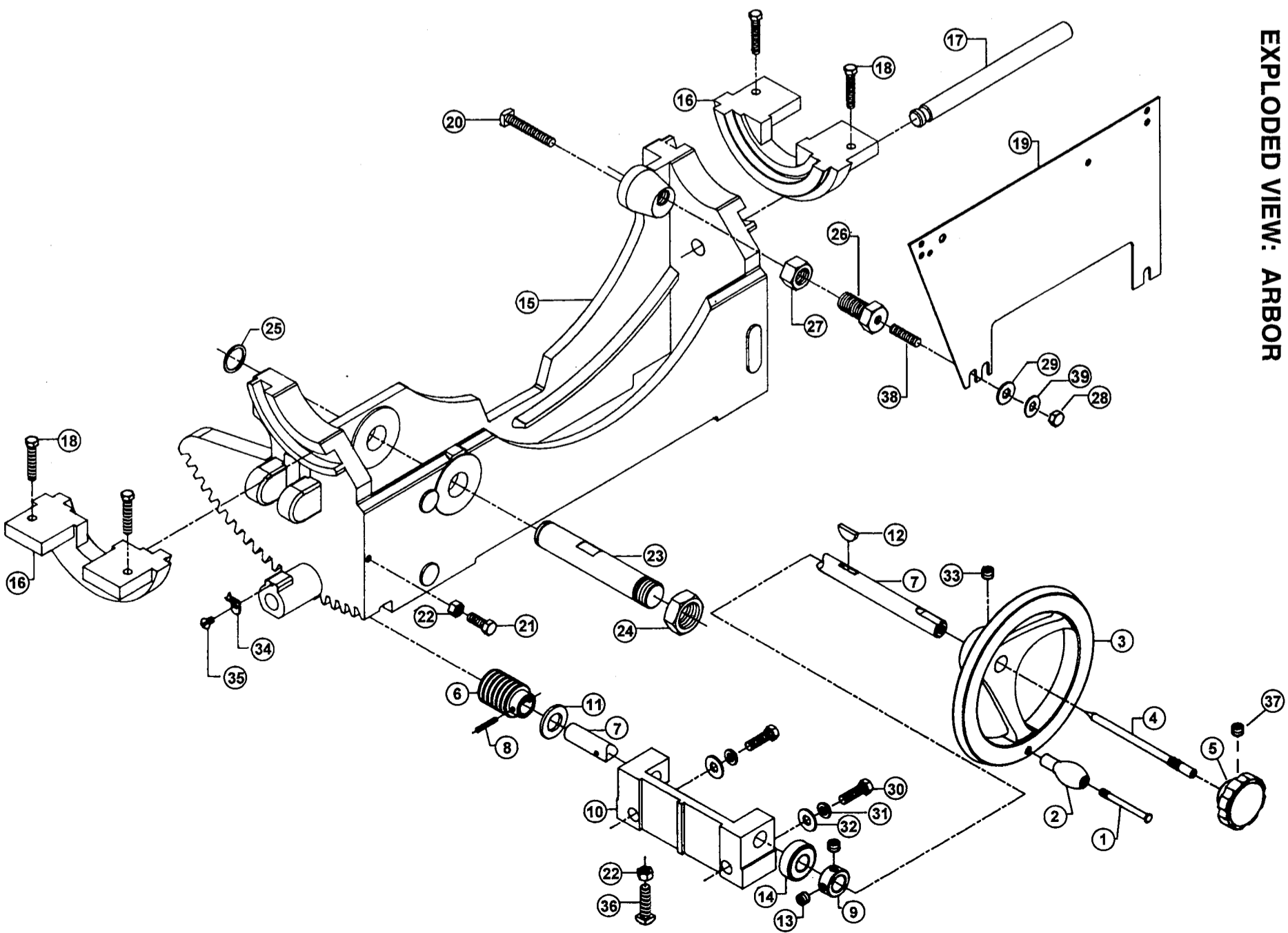


NOTE:
SAW MOTOR NOT
SHOWN, BUT IS IN
PARTS LIST

PARTS LIST: ARBOR

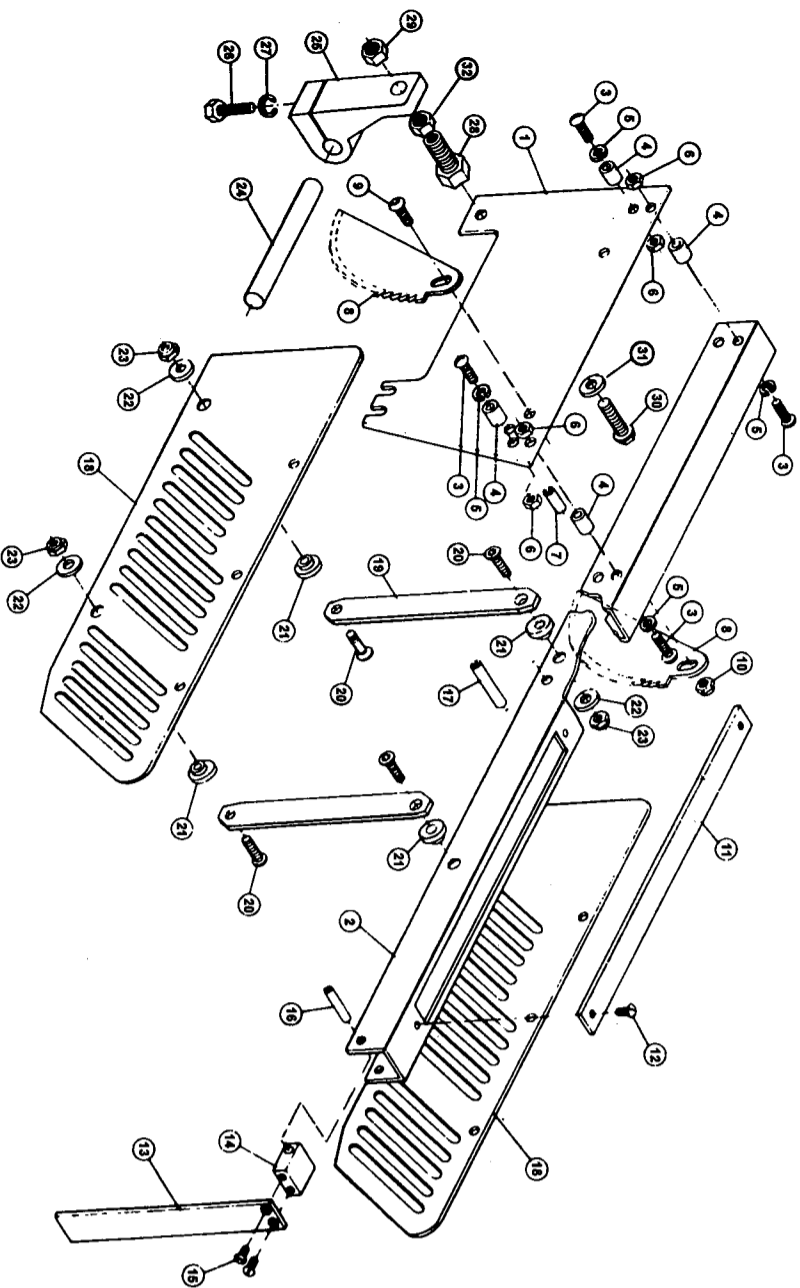
NO. PART NO. DESCRIPTION	NO. PART NO. DESCRIPTION
1 6624006 PIN, GROOVE 1/4" DIA. X 2-3/4"	20 6716082 SCREW, SQ. HD. SET, 3/8-16 X 2-1/2" (SPLITTER)
2 3268201 HANDLED RIVET	21 6716031 SCREW, HEX. HD. CAP 3/8-16 X 1" (45 deg. STOP)
3 3271039 HANDWHEEL 8" DIA.	22 6516009 NUT, HEX. JAM 3/8-16
4 2440009 CUP PT. LOCK ASSY., SAW RAISING & TILTING (Items 4 & 5)	23 3711005 SAW ARM PIVOT SHAFT
5 3583011 PIN, LOCKING	24 6578003 NUT, HEX. FLEXLOC SELF LOCKING, 1-1/8 - 12
6 3406018 KNOB	25 6670092 RETAINING RING, EXTERNAL
7 2063017 BRACKET ASSY., SAW TILTING (Items 6 thru 14)	26 3690232 SCREW, ADJUSTING, 3/4-16 X 1-1/2"
8 2865006 WORM ASSY., SAW TILTING (Items 6 thru 8)	27 6572005 NUT, HEX. JAM, 3/4-16
9 3865001 WORM, SAW RAISING & TILTING	28 6516001 NUT, HEX. 3/8-16
10 3701026 SHAFT, SAW TILTING	29 6861309 WASHER, 3/8" FLAT, PLATED
11 6626031 PIN, SPRING 3/16 X 1-1/8"	30 6716039 SCREW, HEX. HD. CAP, 3/8-16 X 1-1/4"
12 3096244 COLLAR	31 6861300 WASHER, 3/8" LOCK
13 3065006 BRACKET, SAW TILTING PIVOT	32 6861301 WASHER, 3/8" FLAT
14 6861901 WASHER, FLAT NYLATRON E12, 3/4 I.D.	33 6715013 SCREW, SOC. SET KNURLED 5/16-18 X 3/8"
15 6420002 KEY, WOOD. #607 (LOCKING)	34 3604029 POINTER
16 6715016 SCREW, SOC. SET, CUP PT. 5/16-18 X 1/4" (COLLAR)	35 6708012 SCREW, ROUND HD. MACH., #8-32 X 1/4"
17 6064002 BEARING, THRUST, NICE #607	36 6716081 SCREW, SQ. HD. SET 3/8-16 X 1-1/2"
18 3810038 TRUNNION, HOUSING	37 6760078 SCREW, SOC. SET 10-32 X 3/8"
19 3810023 TRUNNION, FRONT AND REAR	38 6716195 SCREW, SOC. SET 3/8-16 X 1-1/2"
20 3700090 SHAFT, SPLITTER SUPPORT 1" X 1-3/4"	39 6861300 WASHER, LOCK 3/8"
21 6715039 SCREW, HEX. HD. CAP, 5/16-18 X 1-3/4"	
22 3750010 SPLITTER	

EXPLODED VIEW: ARBOR



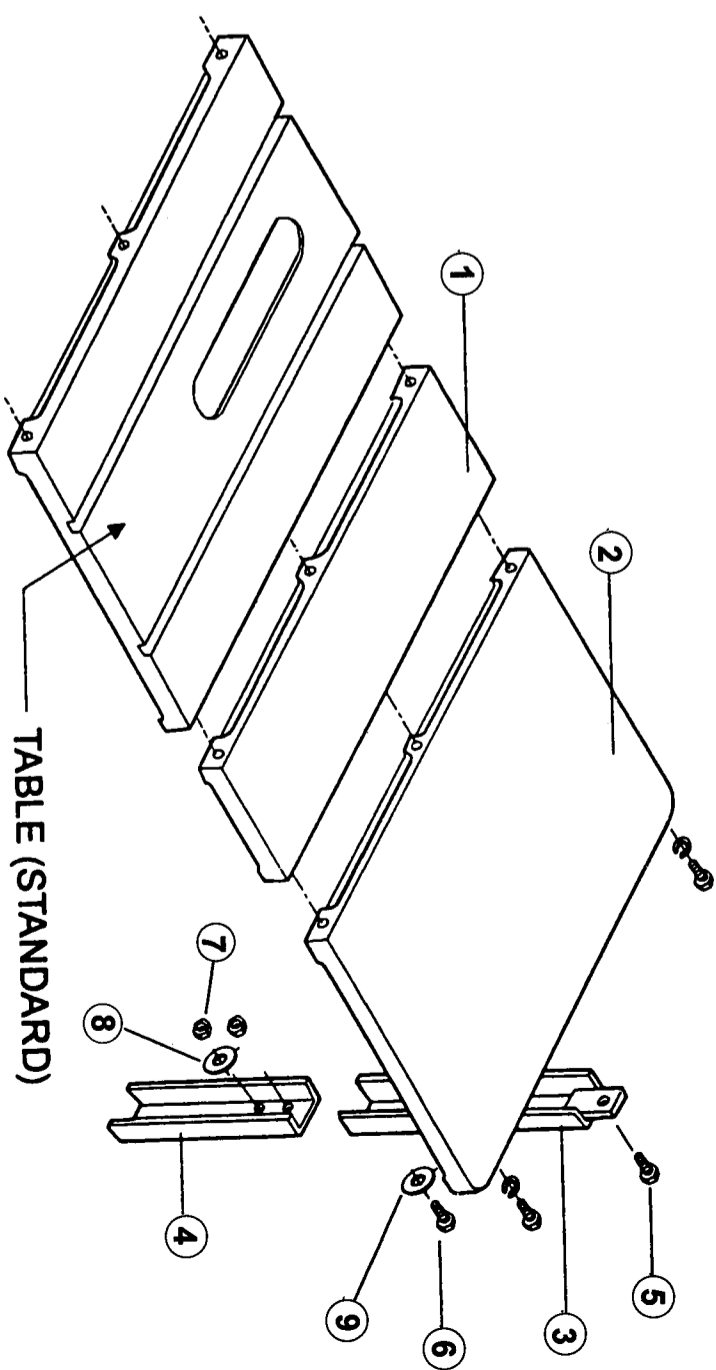
PARTS LIST: SPLITTER & GUARD ASSEMBLY

NO. PART NO.	DESCRIPTION	NO. PART NO.	DESCRIPTION
2250154	SPLITTER & GUARD ASSY. (Items 1 thru 23)	17	6626049 PIN, SPRING 3/8" X 2"
1	3750010 SPLITTER	18	3250111 GUARD, BLADE
2	3044341 BAR, SPLITTER	19	3025073 ARM, PIVOT
3	6714113 SCREW, ROUND HD. MACHINE 1/4-20 X 1"	20	6714192 SCREW, FLAT HD. SOC. 1/4-20 X 7/8"
4	3736012 SPACER	21	3070108 BUSHING, PIVOT
5	6861100 WASHER, LOCK PIN 1/4"	22	3838015 WASHER, PIVOT
6	6514001 NUT, HEX. 1/4-20	23	6514012 NUT, FLEX LOCK (SH.) 1/4-20
7	6626039 PIN, SPRING 1/4" X 5/8"	24	2787008 10" REAR SPLITTER SUPPORT ASSY. (Items 24 thru 32)
8	3581005 PAWL, ANTI-KICKBACK	25	3700090 SHAFT, UNTHREARD SPLITTER SUPPORT
9	6716138 SCREW, BUT. HD. CAP 3/8-16 X 5/8"	26	3776050 SUPPORT, REAR SPLITTER
10	6516020 NUT, FLEX LOCK (SH.) 3/8-16	27	6715034 SCREW, HEX. HD. CAP 5/16-18 X 1-1/2"
11	3720209 SHIELD, GUARD	28	6861200 WASHER, LOCK 5/16"
12	6710032 SCREW, RD. HD. MACHINE 10-24 X 1/4"	29	3690232 SCREW, ADJUSTING
13	3720208 SHIELD, FRONT	30	6572005 NUT, HEX. 3/4-16
14	3055094 BLOCK, PIVOT	31	6716136 SCREW, HEX. HD. CAP 3/8-16 X 3/4"
15	6710030 SCREW, FLAT HD. MACHINE 10-24 X 1/4"	32	6861301 WASHER, FLAT 3/8"
16	6626032 PIN, SPRING 3/16" X 1-1/4"		



PARTS LIST: OPTIONAL TABLE EXTENSIONS 2389002

NO. PART NO.	DESCRIPTION	NO. PART NO.	DESCRIPTION
1	3186004 EXTENSION TABLE, 11" SQUARE END	5	6716031 SCREW, HEX. HD. 3/8-16 X 1"
2	3186006 EXTENSION TABLE, 25" ROUND END	6	6715036 SCREW, HEX. HD. 5/16-18 X 5/8"
3	2423006 LEG ASSY., INNER WELDMENT	7	6515001 NUT, HEX. STEEL 5/16-18
4	3186009 EXTENSIONS, LEG OUTER	8	6861200 WASHER, LOCK 5/16"
		9	6861201 WASHER, FLAT





McMINNVILLE, TENNESSEE 37110

Phone No.: 800-248-0144

Fax No.: 931-473-7819

E-mail: powermatic@worldnet.att.net

Internet home page: <http://www.powermatic.com>